



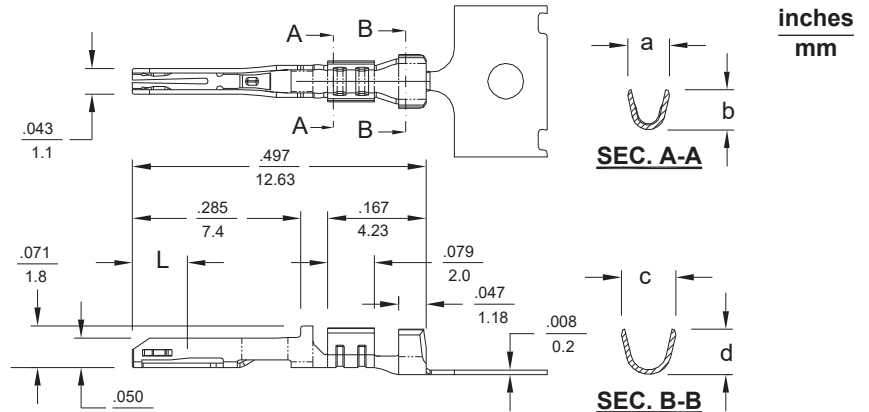
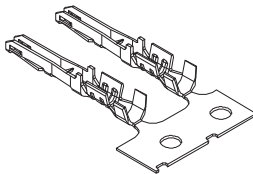
# .098"(2.5mm) Dual Row Wire-to-Board Connector

## Specification:

- Current rating: 6.5A for 2 poles, 4.5A for other poles
- Voltage rating: 250V AC, DC
- Dielectric withstanding voltage: 1500V AC/minute
- Insulation resistance: 1000MΩ Min.
- Contact resistance: 10mΩ Max.
- Ambient temperature range: -40°C ~ 105°C
- UL file No.: E114003

## 2531T Crimp Terminal

- Material: High conductivity copper alloy
- Used in ALEX 2532-xxS, 2532-xx housings
- Wire range: #20 ~ #26 AWG

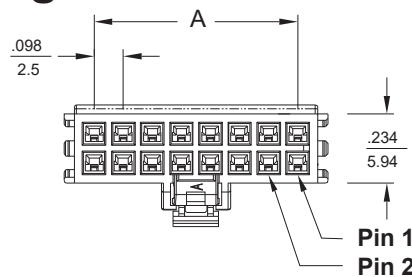
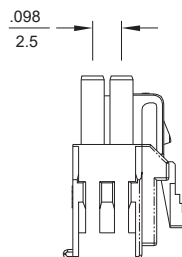
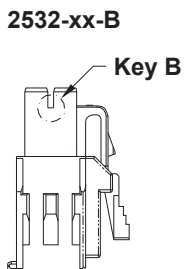


### Ordering & dimensional Information - in ( mm )

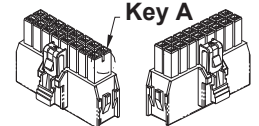
Part No.	Finished	Wire range	Dim. a	Dim. b	Dim. c	Dim. d
2531T1	Tin-plated over nickel	#24 ~ #26	0.055 (1.39)	0.057 (1.45)	0.084 (2.12)	0.079 (2.00)
2531T1-xGC	Gold-flash xu" over nickel in contact area ( Dim. L: 2.0 ). Other: Nickel-plated					
2531T1-xGF	Gold-flash xu" over nickel in contact area ( Dim. L: 2.0 ). Other: Gold-flash over nickel	#20 ~ #22	0.070 (1.78)	0.067 (1.71)	0.092 (2.33)	0.076 (1.94)
2531T2	Tin-plated over nickel					
2531T2-xGC	Gold-flash xu" over nickel in contact area ( Dim. L: 2.0 ). Other: Nickel-plated					
2531T2-xGF	Gold-flash xu" over nickel in contact area ( Dim. L: 2.0 ). Other: Gold-flash over nickel					

## 2532-xx Series Dual Row Receptacle Housing

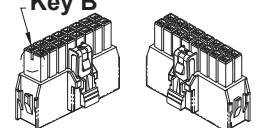
- 4 ~ 16 circuits available
- Material: Nylon 9T, UL 94V-0
- Accepts ALEX 2531T terminal
- Accepts ALEX 2532C-xx terminal position assurance retainer



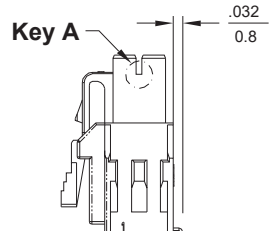
### 2532-xx-A



### 2532-xx-B



### 2532-xx-A



### Ordering Information

#### Dimensional Information ( mm )

Circuits	Dim. A	Dim. B
N	1.25 x N - 2.5	1.25 x N + 2.7

&& N = 4 ~ 16

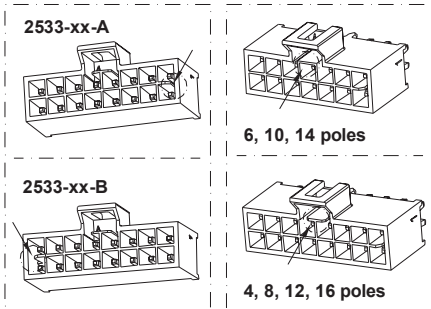
Part No.	Color	Mating parts: Headers
2532-xx-A	Black	2533-xx-A, 2534-xx-A
2532-xx-B	Natural	2533-xx-B, 2534-xx-B

&& xx = 04 ~ 16

# .098"(2.5mm) Dual Row Wire-to-Board Connector

## 2533-xx Series Dual Row Vertical Header

- 4 ~ 16 circuits available
- Plastic material: LCP
- Contact: High conductivity copper
- Finished: Tin-plated over nickel
- .025"(0.64mm) square pin



### Dimensional Information ( mm )

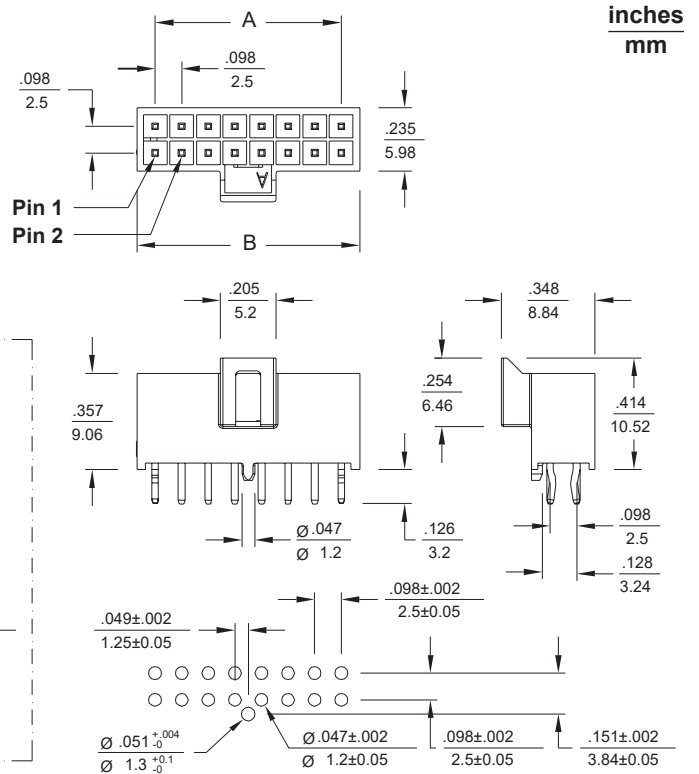
Circuits	Dim. A	Dim. B
N	1.25 x N - 2.5	1.25 x N + 0.94

&& N = 4 ~ 16

### Ordering Information

Part No.	Color	Mating parts: Housing
2533-xx-A	Black	2532-xx-A
2533-xx-B	Natural	2532-xx-B

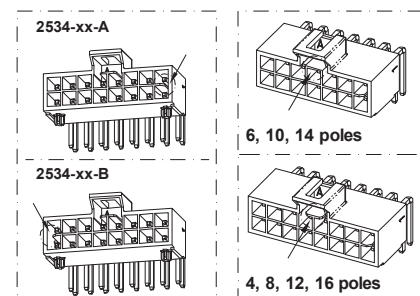
&& xx = 04 ~ 16



Recommended P. C. B. hole dimension  
Recommended P. C. B. thickness 1.6 ~ 2.4mm

## 2534-xx Series Dual Row Right Angle Header

- 4 ~ 16 circuits available
- Plastic material: LCP
- Contact: High conductivity copper
- Finished: Tin-plated over nickel
- .025"(0.64mm) square pin



### Dimensional Information ( mm )

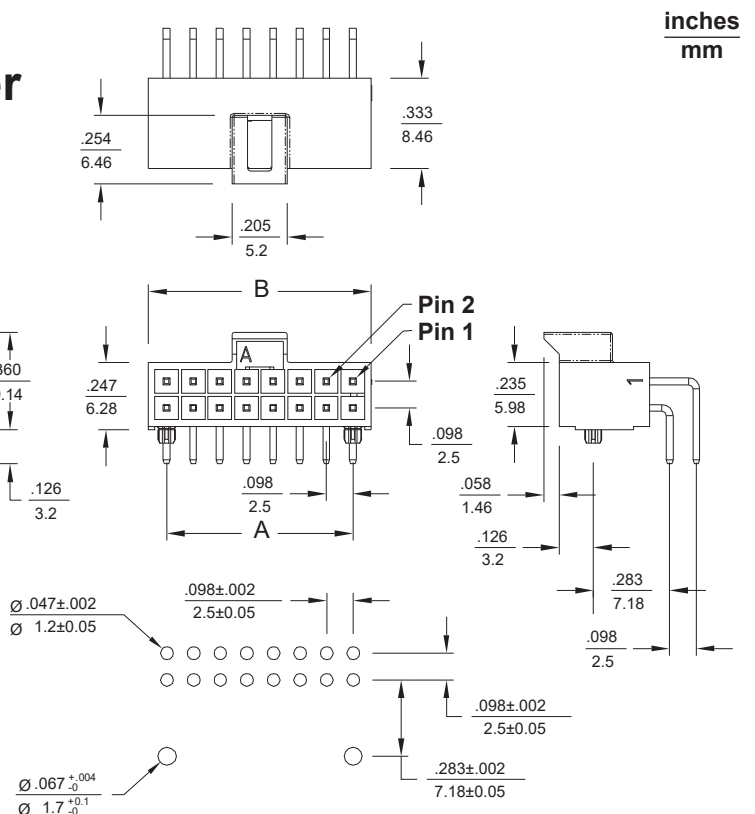
Circuits	Dim. A	Dim. B
N	1.25 x N - 2.5	1.25 x N + 0.94

&& N = 4 ~ 16

### Ordering Information

Part No.	Color	Mating parts: Housing
2534-xx-A	Black	2532-xx-A
2534-xx-B	Natural	2532-xx-B

&& xx = 04 ~ 16



Recommended P. C. B. hole dimension  
Recommended P. C. B. thickness 1.6 ~ 2.4mm

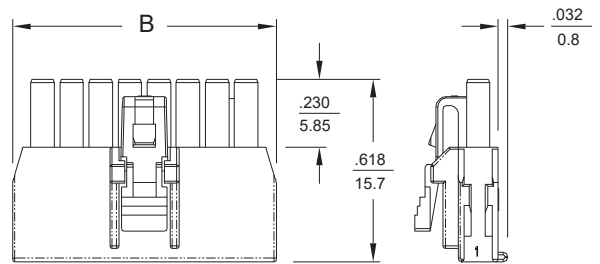
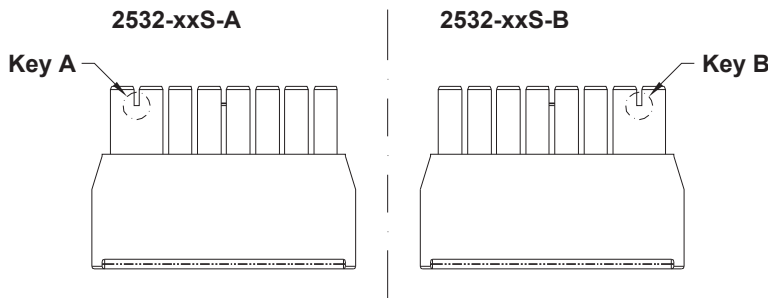
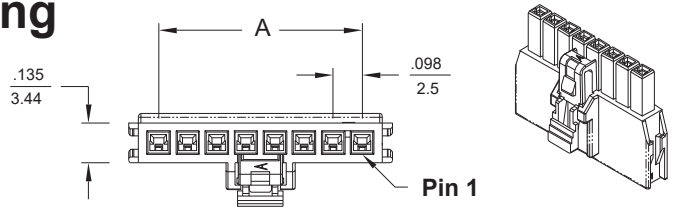


# .098"(2.5mm) Single Row Wire-to-Board Connector

## 2532-xxS Series Single Row Receptacle Housing

inches  
mm

- 2 ~ 8 circuits available
- Material: Nylon 9T, UL 94V-0
- Accepts ALEX 2531T terminal
- Accepts ALEX 2532C-xx terminal position assurance retainer



### Dimensional Information ( mm )

Circuits	Dim. A	Dim. B
N	$2.5 \times (N - 1)$	$2.5 \times N + 2.7$

&& N = 2 ~ 8

### Ordering Information

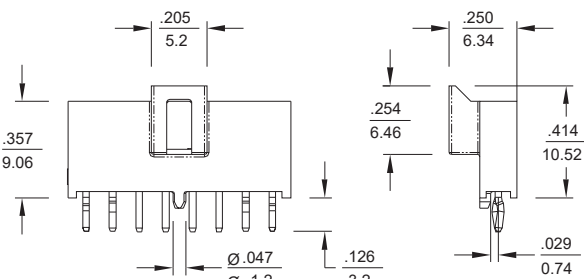
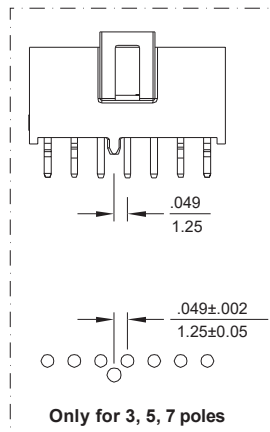
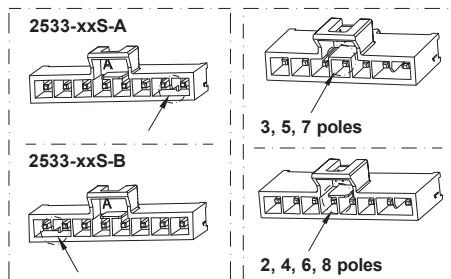
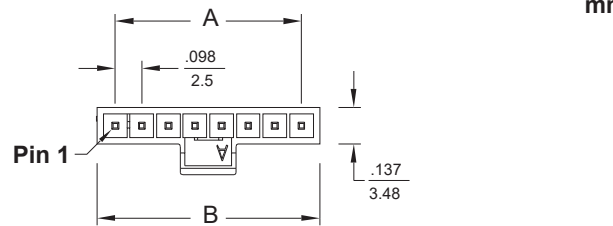
Part No.	Color	Mating parts: Headers
2532-xxS-A	Black	2533-xxS-A, 2534-xxS-A
2532-xxS-B	Natural	2533-xxS-B, 2534-xxS-B

&& xx = 02 ~ 08

## 2533-xxS Series Single Row Vertical Header

inches  
mm

- 2 ~ 8 circuits available
- Plastic material: LCP
- Contact: High conductivity copper
- Finished: Tin-plated over nickel
- .025"(0.64mm) square pin



### Dimensional Information ( mm )

Circuits	Dim. A	Dim. B
N	$2.5 \times N - 2.5$	$2.5 \times N + 0.94$

&& N = 2 ~ 8

### Ordering Information

Part No.	Color	Mating parts: Housing
2533-xxS-A	Black	2532-xxS-A
2533-xxS-B	Natural	2532-xxS-B

&& xx = 02 ~ 08

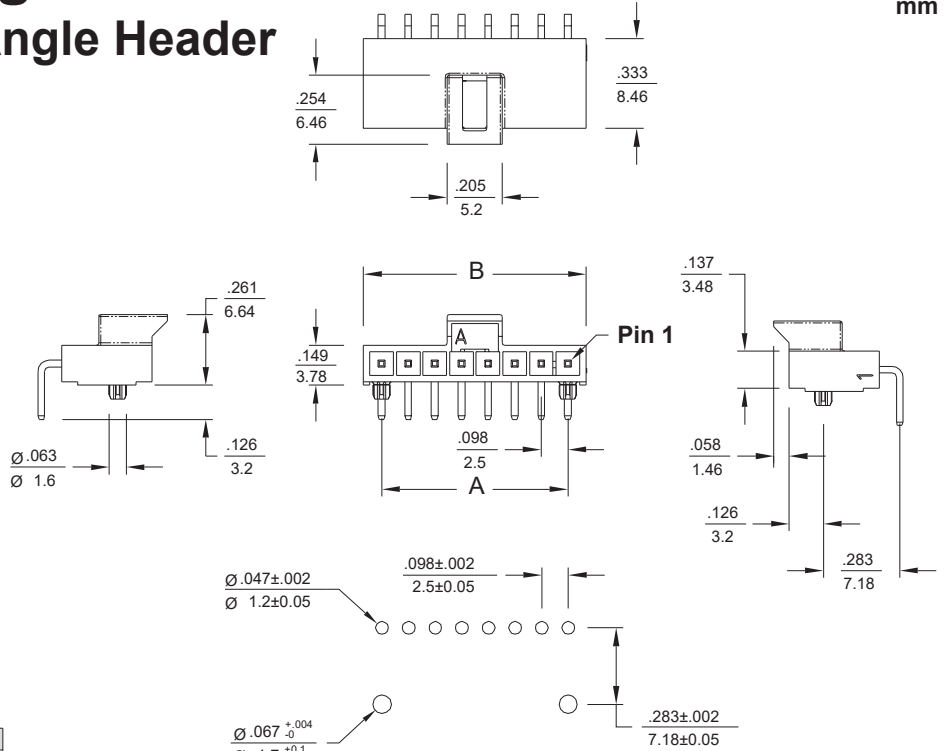
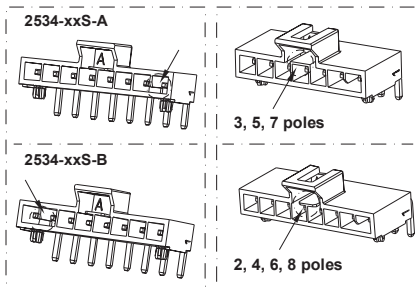
Recommended P. C. B. hole dimension  
Recommended P. C. B. thickness 1.6 ~ 2.4mm

# .098"(2.5mm) Single Row Wire-to-Board Connector

## 2534-xxS Series Single Row Right Angle Header

 inches  
mm

- 2 ~ 8 circuits available
- Plastic material: LCP
- Contact: High conductivity copper
- Finished: Tin-plated over nickel
- .025"(0.64mm) square pin



### Dimensional Information ( mm )

Circuits	Dim. A	Dim. B
N	2.5 x N - 2.5	2.5 x N + 0.94

&amp;&amp; N = 2 ~ 8

### Ordering Information

Part No.	Color	Mating parts: Housing
2534-xxS-A	Black	2532-xxS-A
2534-xxS-B	Natural	2532-xxS-B

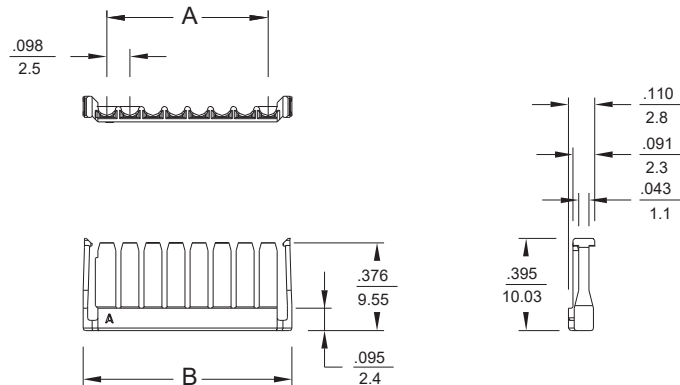
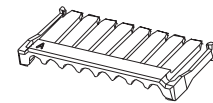
&amp;&amp; xx = 02 ~ 08

 Recommended P. C. B. hole dimension  
 Recommended P. C. B. thickness 1.6 ~ 2.4mm

## 2532C-xx Series Terminal Position Assurance Retainer

 inches  
mm

- 2 ~ 8 circuits available
- Material: Nylon 9T, UL 94V-0
- Mates with ALEX 2532-xxS, 2532-xx housings



### Ordering Information

Part No.	Color
2532C-xx-A	Black
2532C-xx-B	Natural

&amp;&amp; xx = 02 ~ 08

### Dimensional Information ( mm )

Circuits	Dim. A	Dim. B
N	2.5 x ( N - 1 )	2.5 x N + 2.7

&amp;&amp; N = 2 ~ 8



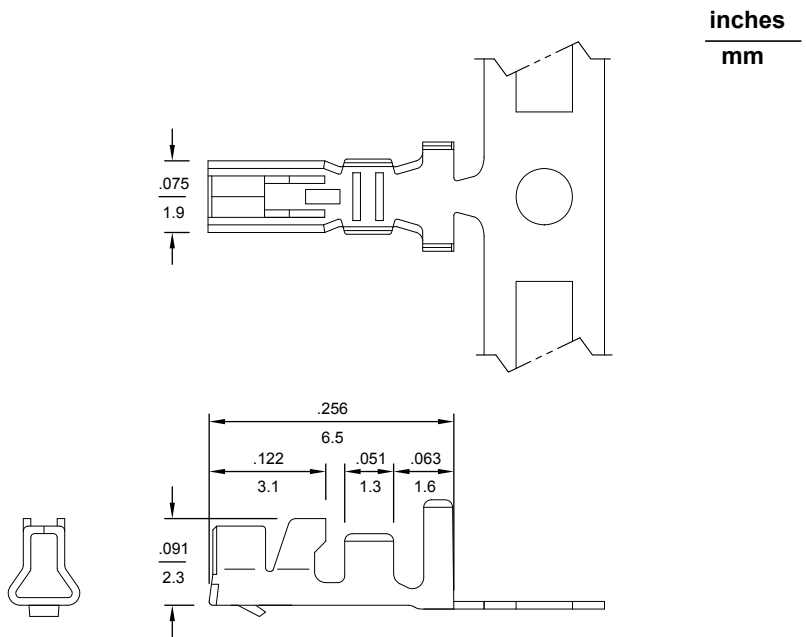
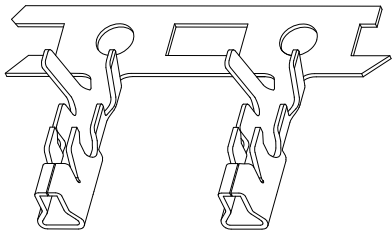
# .098"(2.5mm) Wire-to-Board Crimp Terminal Housing

## Specifications:

- Current rating: 3A AC, DC ( #20, #22 AWG )
- Voltage rating: 250V AC, DC
- Contact resistance: Initial value/10mΩ Max.  
After environmental testing/20mΩ Max.
- Insulation resistance: 1000MΩ Min.
- Withstanding voltage: 1000V AC/minute
- Temperature range: -25°C ~ 85°C  
(including temperature rise in applying electrical current)
- Applicable P. C. board thickness: .063"(1.6mm)

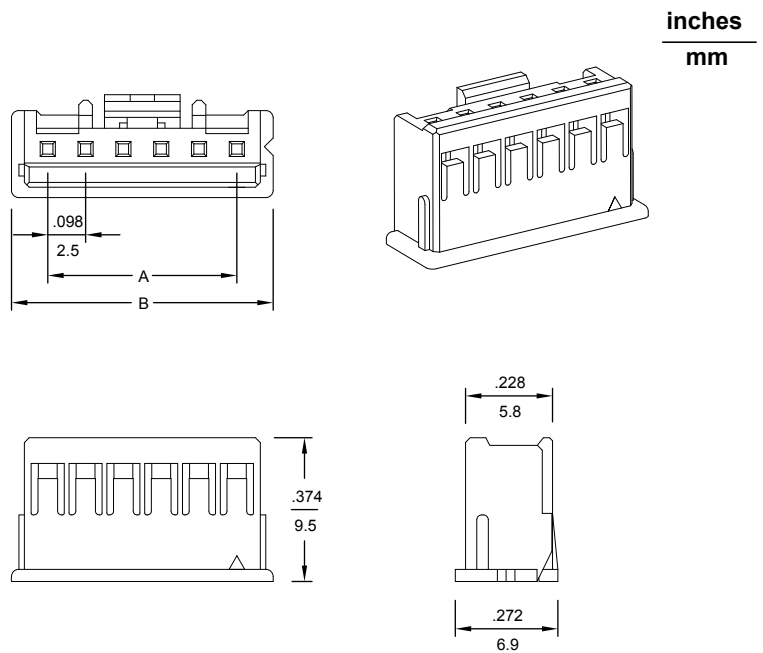
## 2551T Crimp Terminal

- Material: Phosphor bronze
- Finished: Tin-plated
- Used in ALEX 2552-N housing
- Wire range: AWG #20 ~ #28
- Thickness: 0.2mm



## 2552-N Series Crimp Terminal Housing

- 2 ~ 15, 20 circuits available
- Material: UL 94V-0 nylon 66
- Accepts ALEX 2551T terminal
- Mates with ALEX 2553-xx, 2554-xx headers
- Color: White



Dimensional Information ( mm )

Circuits	Dim. A	Dim. B
N	2.5 x ( N - 1 )	A + 4.8

&& N = 2 ~ 15, 20

# .098" (2.5mm) Wire-to-Board Crimp Terminal Housing

## 2553-xx Series Vertical Header

- 2 ~ 15, 20 circuits available
- Material: Glass-filled PA 66, UL 94V-0
- Tin-plated brass pin
- .024" (0.6mm) round pin
- Mates with ALEX 2552-N housing
- Color: Nature

### Ordering Information

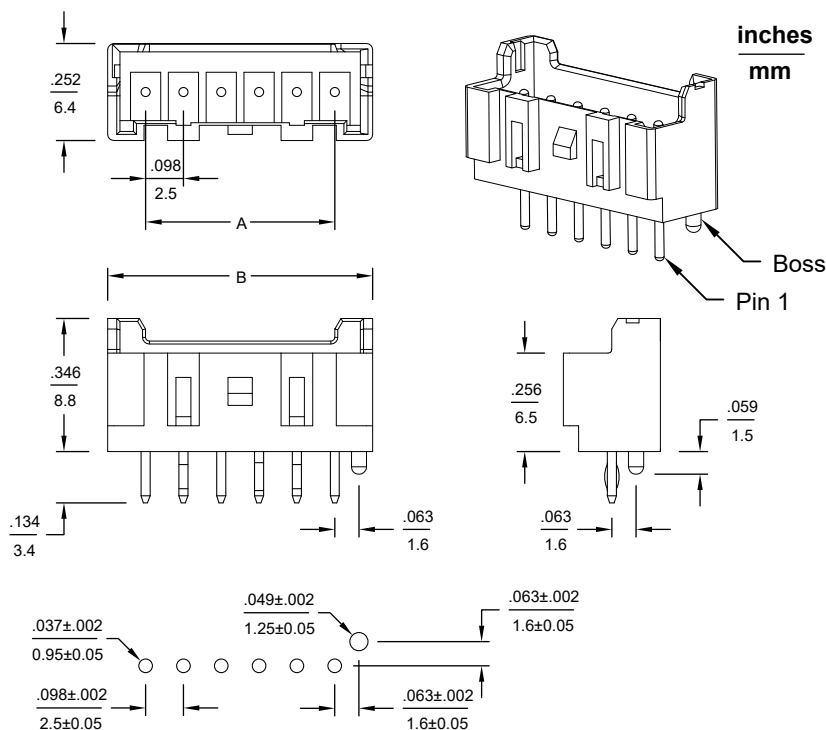
Part No.	Feature
2553-xx	Without a boss
2553-xxP	With a boss

&& xx = 2 ~ 15

### Dimensional Information ( mm )

Circuits	Dim. A	Dim. B
N	2.5 x ( N - 1 )	A + 5

&& N = 2 ~ 15, 20



P. C. board hole dimensions

## 2554-xx Series Right Angle Header

- 2 ~ 15, 20 circuits available
- Material: Glass-filled PA 66, UL 94V-0
- Tin-plated brass pin
- .024" (0.6mm) round pin
- Mates with ALEX 2552-N housing
- Color: Nature

### Ordering Information

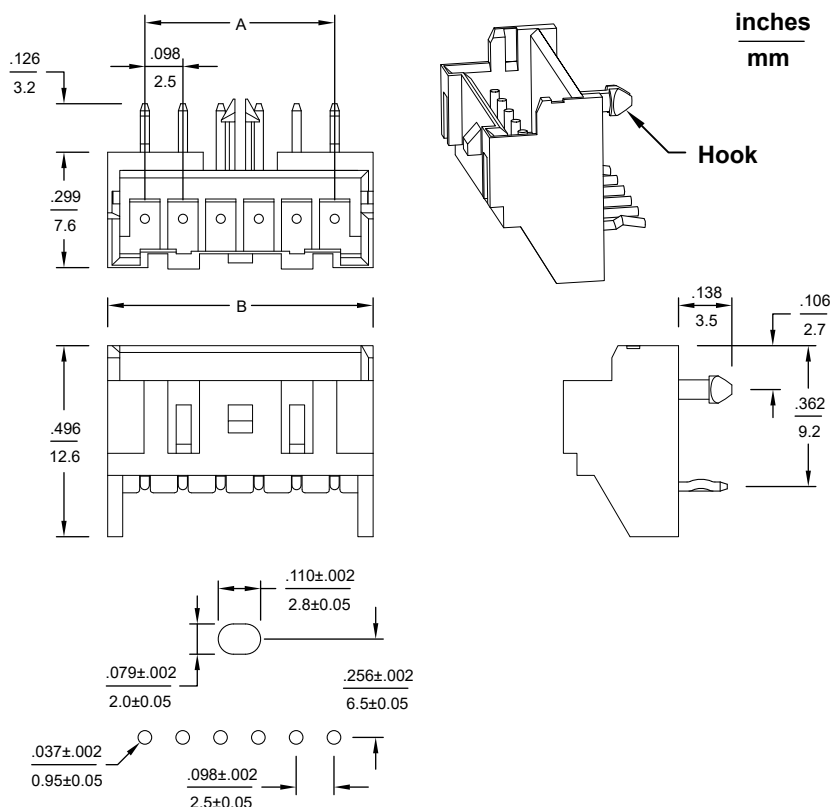
Part No.	Feature
2554-xx	Without a hook
2554-xxP	With a hook

&& xx = 2 ~ 15

### Dimensional Information ( mm )

Circuits	Dim. A	Dim. B
N	2.5 x ( N - 1 )	A + 5

&& N = 2 ~ 15, 20



P. C. board hole dimensions



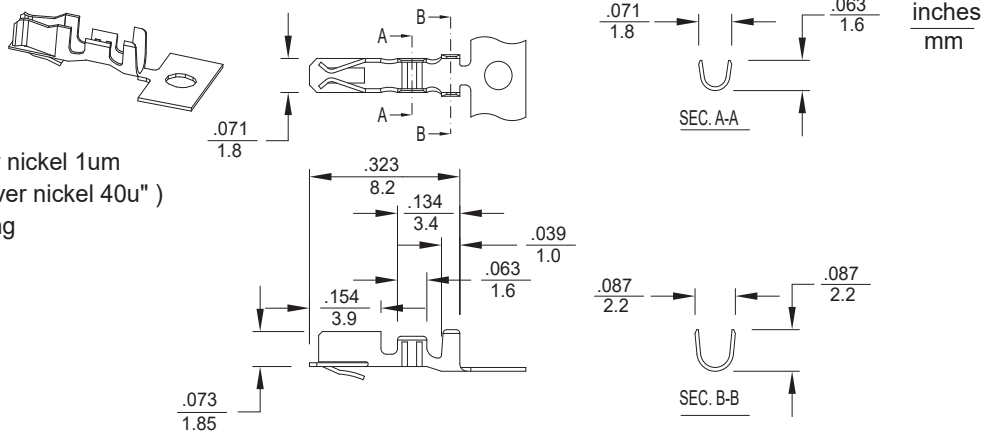
# .098"(2.5mm) Crimp Terminal Housing

## Specification:

- Current rating: 3AAC, DC
- Voltage rating: 250V AC, DC
- Contact resistance: 30mΩ Max.
- Dielectric withstanding voltage: 1000V AC/minute
- Ambient temperature range: 0°C ~ 85°C
- UL file No.: E114003

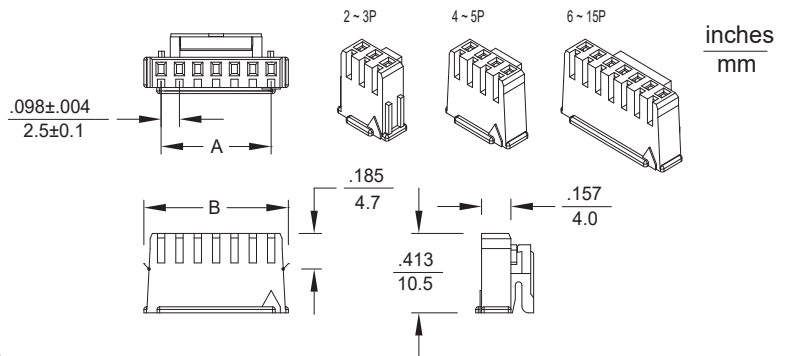
## 2571T Crimp Terminal

- Material: Phosphor bronze
- Finished: Tin-plated 3um over nickel 1um (Tin-plated 120u" over nickel 40u")
- Used in ALEX 2572-xx housing
- Wire range: #22 ~ #28 AWG
- Thickness: 0.2mm



## 2572-N Series Crimp Terminal Housing

- 2 ~ 15 circuits available
- Material: UL 94V-0 nylon 66
- Accepts ALEX 2571T terminal
- Mates with ALEX 2573-xx header



Ordering Information

Part No.	Plastic color
2572-xx-BK	Black
2572-xx-BN	Brown
2572-xx-RD	Red
2572-xx-YL	Yellow
2572-xx-GN	Green
2572-xx-BU	Blue
2572-xx	White

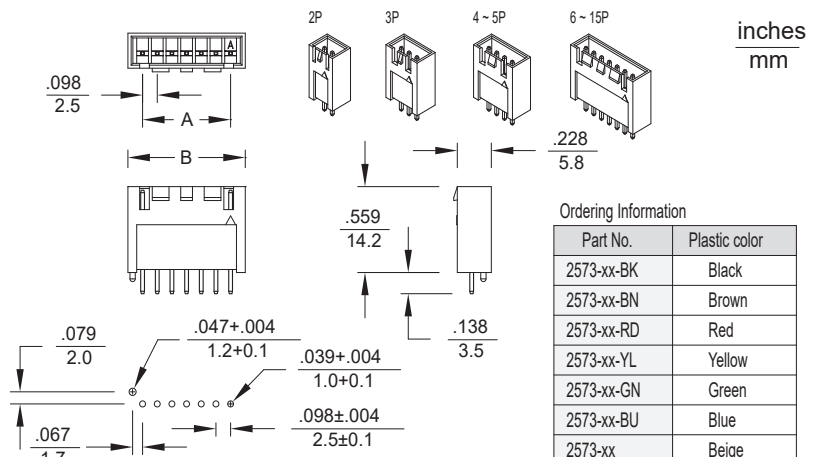
&& xx = 02 ~ 15

Dimensional Information in - ( mm )

Circuits	Dim. A	Dim. B	Circuits	Dim. A	Dim. B	Circuits	Dim. A	Dim. B
2	0.098 ( 2.5 )	0.217 ( 5.5 )	7	0.591 ( 15.0 )	0.720 ( 18.29 )	12	1.083 ( 27.5 )	1.212 ( 30.79 )
3	0.197 ( 5.0 )	0.315 ( 8.0 )	8	0.689 ( 17.5 )	0.819 ( 20.79 )	13	1.181 ( 30.0 )	1.311 ( 33.29 )
4	0.295 ( 7.5 )	0.425 ( 10.79 )	9	0.787 ( 20.0 )	0.917 ( 23.29 )	14	1.280 ( 32.5 )	1.409 ( 35.79 )
5	0.394 ( 10.0 )	0.523 ( 13.29 )	10	0.886 ( 22.5 )	1.015 ( 25.79 )	15	1.378 ( 35.0 )	1.507 ( 38.29 )
6	0.492 ( 12.5 )	0.622 ( 15.79 )	11	0.984 ( 25.0 )	1.114 ( 28.29 )			

## 2573-N Series Vertical Header

- 2 ~ 15 circuits available
- Pin material: Brass
- Plastic material: UL 94V-0 nylon 66
- Finished: Tin-plated 5um over nickel 5um (Tin-plated 200u" over nickel 200u")
- .025"(0.64mm) square pin
- Mates with ALEX 2572-xx housing
- Applicable P. C. B. thickness: 1.2 ~ 1.6mm



Ordering Information

Part No.	Plastic color
2573-xx-BK	Black
2573-xx-BN	Brown
2573-xx-RD	Red
2573-xx-YL	Yellow
2573-xx-GN	Green
2573-xx-BU	Blue
2573-xx	Beige

&& xx = 02 ~ 15

Dimensional Information ( mm )

Circuits	Dim. A	Dim. B
N	2.5 x ( N - 1 )	A + 5

&& N = 2 ~ 15

P. C. board hole dimension



# .098" (2.5 mm) Board-In Terminal and Housing

## Specifications

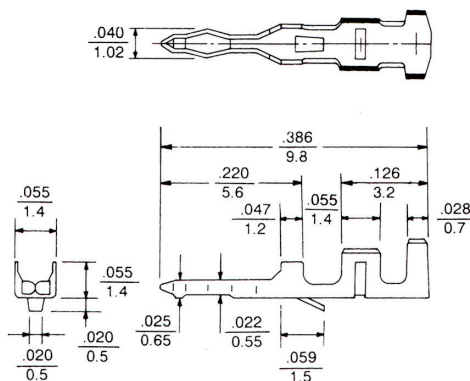
- Current rating: 3A AC, DC
- Voltage rating: 250V AC, DC
- Temperature range: -40°C ~ 105°C
- Insulation resistance: 1,000MΩ min.
- Withstand voltage: 1,000V AC/minute
- Applicable wires: AWG #28 ~ #20
- Applicable PC board thickness: .063" (1.6mm)
- UL File No. : E114003

## 2594T Series Crimp Terminal

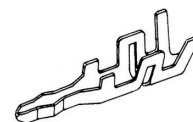
- Used in 2595 series housing
- Applicable wires: AWG #28 ~ #20
- Material: Tin-plated phosphor bronze
- Insulation O.D.: .035" (0.9mm) ~ .075" (1.9mm)

### Ordering Information

Part No.	Wire range
2594T1	#22~#28
2594T2	#20~#22

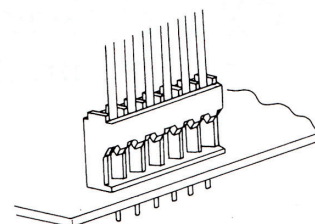
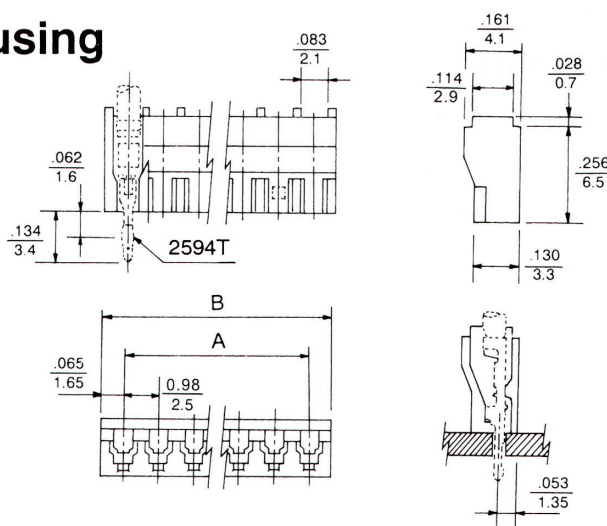


inches  
mm



## 2595-N Series Crimp Terminal Housing

- Material: 94V-0 nylon 66
- 2-20 circuits available
- Accepts 2594 T terminal



inches  
mm

### Dimensional Information - in. (mm)

Circuits	Dim. A	Dim. B	Circuits	Dim. A	Dim. B	Circuits	Dim. A	Dim. B
2	0.098( 2.5)	0.228( 5.8)	9	0.787(20.0)	0.917(23.3)	16	1.476(37.5)	1.606(40.8)
3	0.197( 5.0)	0.327( 8.3)	10	0.886(22.5)	1.016(25.8)	17	1.575(40.0)	1.705(43.3)
4	0.295( 7.5)	0.425(10.8)	11	0.984(25.0)	1.114(28.3)	18	1.673(42.5)	1.803(45.8)
5	0.394(10.0)	0.524(13.3)	12	1.083(27.5)	1.213(30.8)	19	1.772(45.0)	1.902(48.3)
6	0.492(12.5)	0.622(15.8)	13	1.181(30.0)	1.311(33.3)	20	1.870(47.5)	2.000(50.8)
7	0.591(15.0)	0.720(18.3)	14	1.280(32.5)	1.409(35.8)			
8	0.689(17.5)	0.819(20.8)	15	1.378(35.0)	1.508(38.3)			



# .098" (2.5mm) Ultra-Thin Connectors

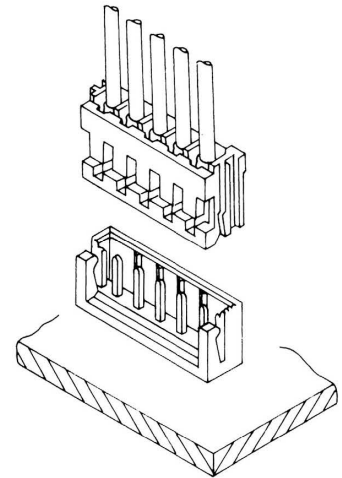
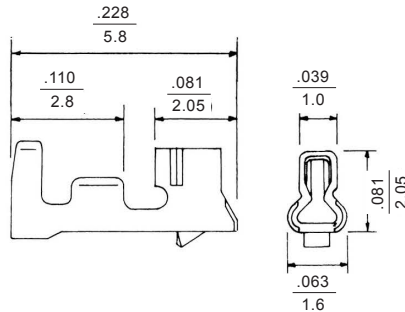
## Specifications

- Current rating: 3A AC, DC
- Voltage rating: 250V AC, DC
- Temperature range: -25°C ~ +85°C (including temperature rise)
- Contact resistance: Initial value/10mΩ max. After environmental testing/20mΩ max.
- Insulation resistance: 1,000MΩ min.
- Withstand voltage: 800V AC/minute
- Applicable wires: AWG #28 ~ #22
- Applicable PC board thickness: .031" ~ .063" (0.8 ~ 1.6mm)
- UL File No.: EII4003

## 2580T Series Crimp Terminal

- Used in 2581 series housing
- Applicable wire: AWG #28 ~ #22
- Material: Tin-plated phosphor bronze
- Insulation O.D.: .035" (0.9mm) ~ .067" (1.7mm)

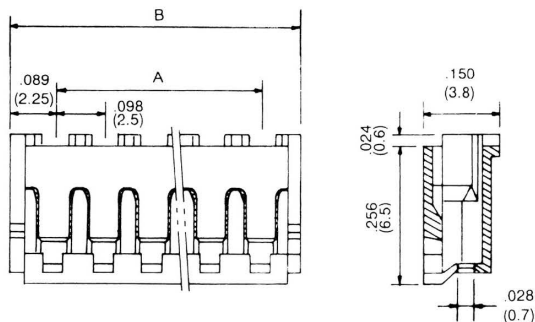
inches  
mm



## 2581-N Series Polarizing Housings

- Material: 94V-0 nylon 66
- 2-15 circuits available
- Standard color: White
- Accepts 2580T terminal
- Mates with 2582, 2583 series headers

inches  
mm



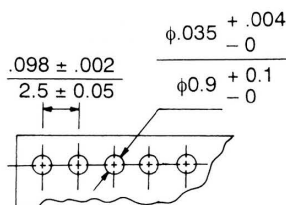
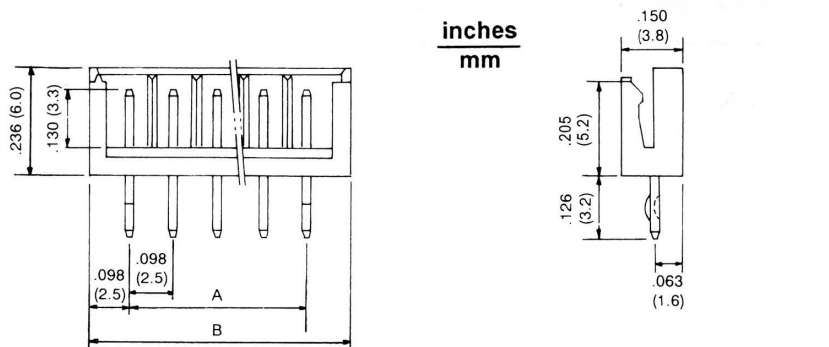
### Dimensional Information - in. (mm)

Circuits	Dim. A	Dim. B	Circuits	Dim. A	Dim. B
2	.098 ( 2.5)	.276 ( 7.0)	9	.787 (20.0)	.965 (24.5)
3	.197 ( 5.0)	.374 ( 9.5)	10	.886 (22.5)	1.063 (27.0)
4	.295 ( 7.5)	.472 (12.0)	11	.984 (25.0)	1.161 (29.5)
5	.394 (10.0)	.571 (14.5)	12	1.083 (27.5)	1.260 (32.0)
6	.492 (12.5)	.669 (17.0)	13	1.181 (30.0)	1.358 (34.5)
7	.591 (15.0)	.768 (19.5)	14	1.280 (32.5)	1.457 (37.0)
8	.689 (17.5)	.866 (22.0)	15	1.378 (35.0)	1.555 (39.5)

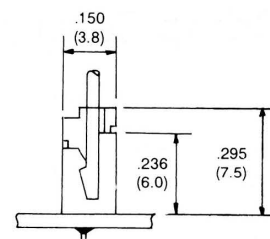
# .098" (2.5mm) Center Headers

## 2582-N Series Square Pin Straight Header

- 94V-0 nylon 66
- .025" (0.64mm) straight square wire pins
- 2-15 circuits available
- Mates with 2581 series housing
- Applicable PC board thickness:  
.031" (0.8mm) ~ .063" (1.6mm)



P.C. Board Hole Dimensions

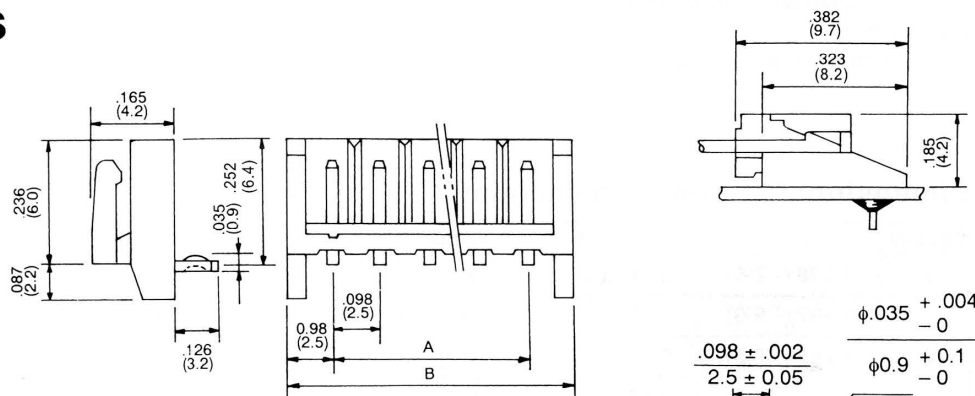


Dimensional Information - in. (mm) 2582/2583

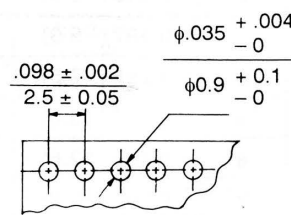
Circuits	Dim. A	Dim. B	Circuits	Dim. A	Dim. B
2	.098 ( 2.5)	.295 ( 7.5)	9	.787 (20.0)	.984 (25.0)
3	.197 ( 5.0)	.394 (10.0)	10	.886 (22.5)	1.083 (27.5)
4	.295 ( 7.5)	.492 (12.5)	11	.984 (25.0)	1.181 (30.0)
5	.394 (10.0)	.591 (15.0)	12	1.083 (27.5)	1.280 (32.5)
6	.492 (12.5)	.689 (17.5)	13	1.181 (30.0)	1.378 (35.0)
7	.591 (15.0)	.787 (20.0)	14	1.280 (32.5)	1.480 (37.5)
8	.689 (17.5)	.886 (22.5)	15	1.378 (35.0)	1.575 (40.0)

## 2583-N Series Square Pin Right Angle Header

- 94V-0 nylon 66
- .025" (0.64mm) right angle square wire pins
- 2-15 circuits available
- Mates with 2581 series housing
- Applicable PC board thickness:  
.031" (0.8mm) ~ .063" (1.6mm)



inches  
mm



P.C. Board Hole Dimensions



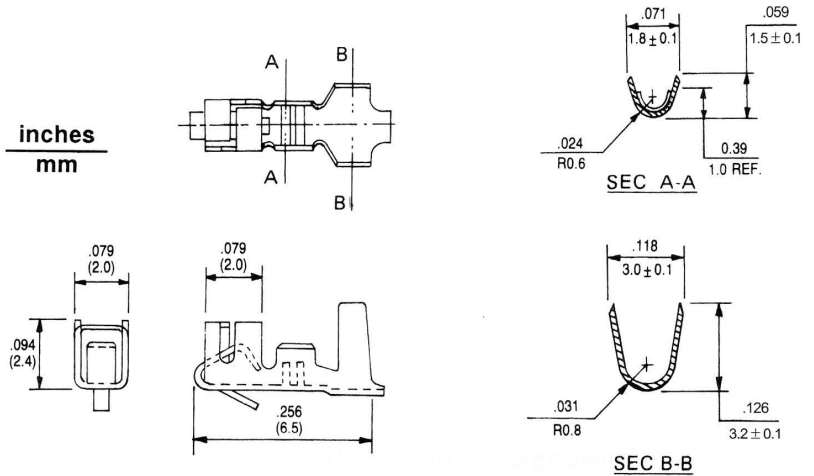
# .098" (2.5 mm) Center Low-Profile Crimp Terminal Housings

## Specifications

- Current rating: 3A AC, DC
- Voltage rating: 250V AC, DC
- Temperature range: -25°C ~ +85°C (including temperature rise)
- Contact resistance: Initial value/10mΩ max. After environmental testing/20mΩ max.
- Insulation resistance: 1,000MΩ min.
- Withstand voltage: 1,000 AC/minute
- Applicable wires: AWG #28 ~ #22
- Applicable PC board thickness: .063" (1.6mm)
- UL File No. : E114003

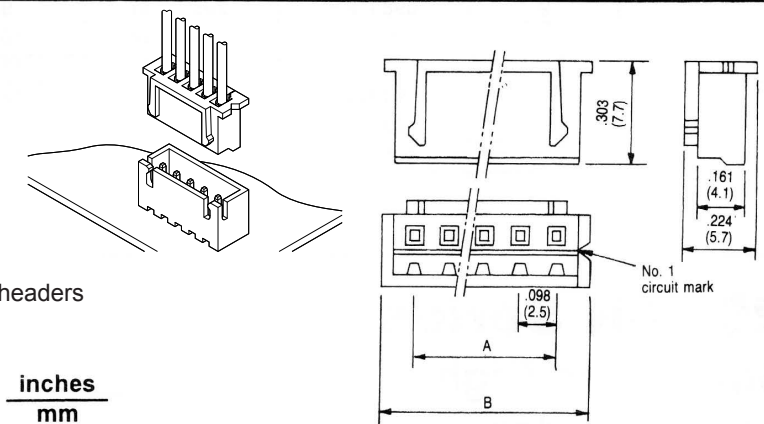
## 8820T Series Crimp Terminals

- Used in Alex 8821 series housing
- Accepts # 22 to 28 AWG wire
- Material: Tin plated phosphor bronze
- Plating options available



## 8821-N Series Polarizing Housings

- Accepts 8820T terminal
- 94V-0 Nylon 66
- Molded friction lock
- 2-20 Circuits available
- Mates with ALEX 8822, 8823, 8822-xxSM, 8823-xxSM headers



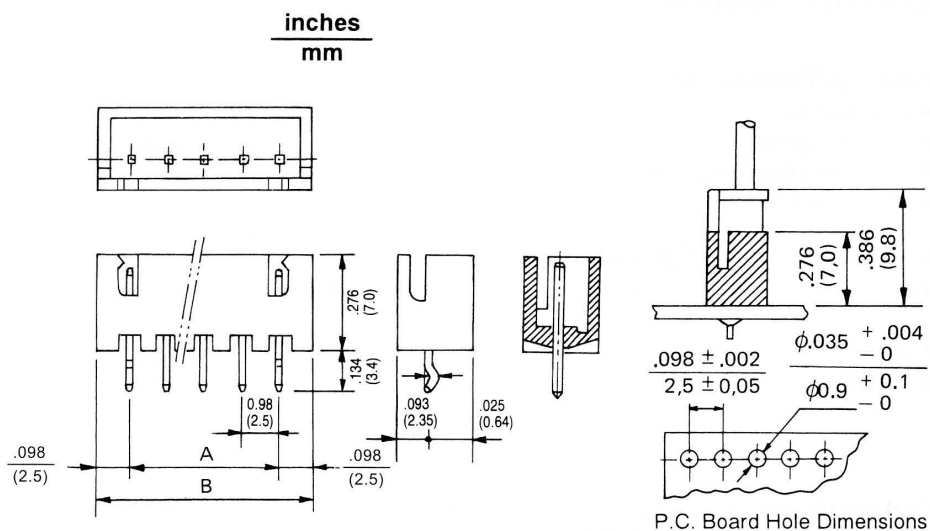
### Dimensional Information -in. (mm)

Circuits	Dim. A	Dim. B	Circuits	Dim. A	Dim. B	Circuits	Dim. A	Dim. B
2	0.098 ( 2.5)	0.287 ( 7.3)	9	0.787 ( 20.0)	0.976 ( 24.8)	16	1.477 ( 37.5)	1.665 ( 42.3)
3	0.197 ( 5.0)	0.386 ( 9.8)	10	0.886 ( 22.5)	1.075 ( 27.3)	17	1.575 ( 40.0)	1.764 ( 44.8)
4	0.295 ( 7.5)	0.484 ( 12.3)	11	0.984 ( 25.0)	1.173 ( 29.8)	18	1.674 ( 42.5)	1.862 ( 47.3)
5	0.394 ( 10.0)	0.583 ( 14.8)	12	1.083 ( 27.5)	1.272 ( 32.3)	19	1.772 ( 45.0)	1.961 ( 49.8)
6	0.492 ( 12.5)	0.681 ( 17.3)	13	1.181 ( 30.0)	1.370 ( 34.8)	20	1.870 ( 47.5)	2.059 ( 52.3)
7	0.591 ( 15.0)	0.780 ( 19.8)	14	1.280 ( 32.5)	1.469 ( 37.3)			
8	0.689 ( 17.5)	0.878 ( 22.3)	15	1.378 ( 35.0)	1.567 ( 39.8)			

# .098" (2.5 mm) Center Headers

## 8822-N Series Straight Pin Friction Lock Header

- 2-20 Circuits available
- .025" (0,64mm) straight square wire pins
- Friction lock
- 94V-0 Nylon 66
- Mates with 8821 housing
- Tin plated brass pins. Plating options available
- Applicable PC board thickness .063" (1.6mm)

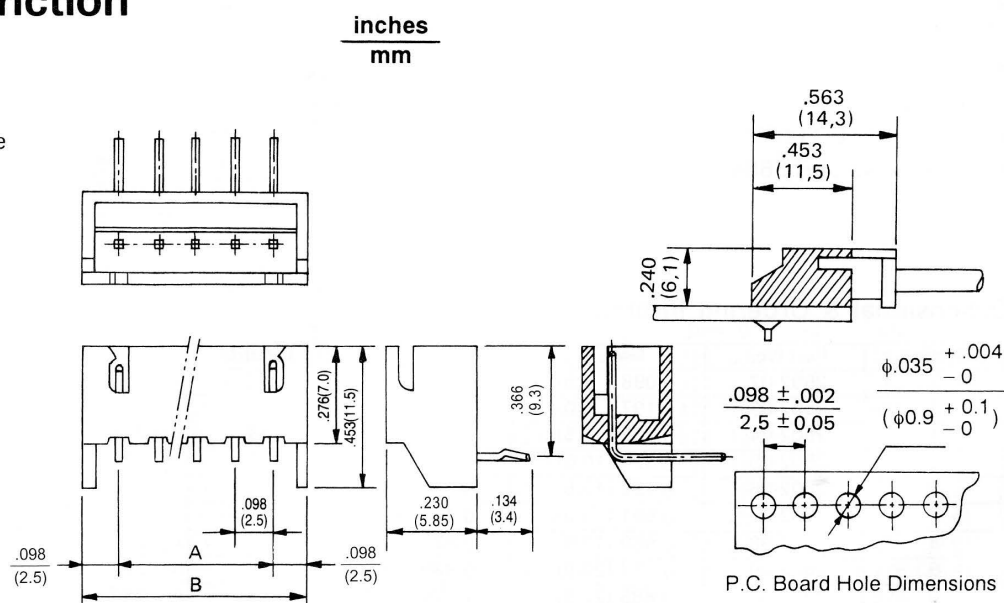


### Dimensional Information - in. (mm) 8822 / 8823

Circuits	Dim. A	Dim. B	Circuits	Dim. A	Dim. B	Circuits	Dim. A	Dim. B
2	.098 ( 2,5)	.295 ( 7,5)	9	.787 (20,0)	.984 (25,0)	16	1.480 (37,50)	1.680 (42,5)
3	.197 ( 5,0)	.394 (10,0)	10	.886 (22,5)	1.083 (27,5)	17	1.578 (40,00)	1.778 (45,0)
4	.295 ( 7,5)	.492 (12,5)	11	.984 (25,0)	1.181 (30,0)	18	1.680 (42,50)	1.880 (47,5)
5	.394 (10,0)	.591 (15,0)	12	1.083 (27,5)	1.280 (32,5)	19	1.778 (45,00)	1.969 (50,0)
6	.492 (12,5)	.689 (17,5)	13	1.181 (30,0)	1.378 (35,0)	20	1.880 (47,50)	2.067 (52,5)
7	.591 (15,0)	.787 (20,0)	14	1.280 (32,5)	1.480 (37,5)			
8	.689 (17,5)	.886 (22,5)	15	1.378 (35,0)	1.578 (40,0)			

## 8823-N Series Right Angle Pin Friction Lock Header

- 2-20 Circuits available
- .025" (0,64mm) right angle square wire pins
- Friction lock
- 94V-0 Nylon 66
- Mates with 8821 housing
- Tin plated brass pins. Plating options available
- Applicable PC board thickness .063" (1.6mm)

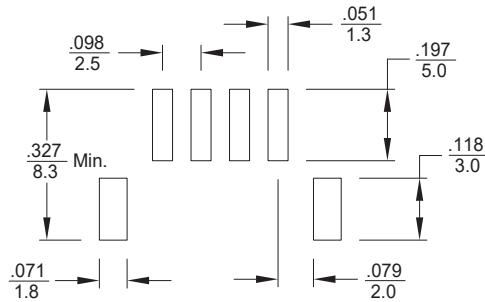
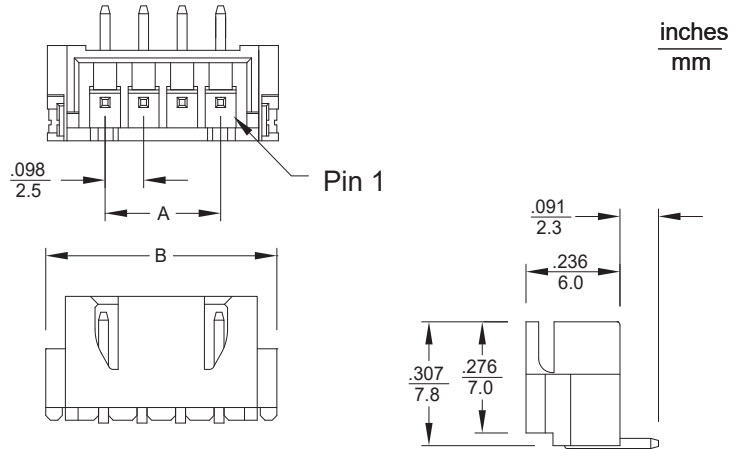




# .098"(2.5mm) Center Header

## 8822-xxSM Series Vertical Header, SMT

- 2 ~ 9 circuits available
- Plastic material: Nylon 9T
- Tin-plated brass pin
- Solder tab: Tin-Plated phosphor bronze
- .025"(0.64mm) square pin
- Mates with ALEX 8821-N housing
- Molded friction lock
- Color: Natural



### Dimensional Information ( mm )

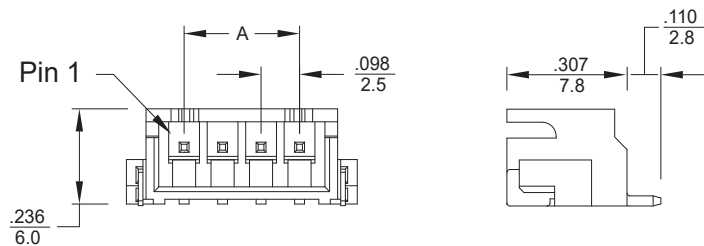
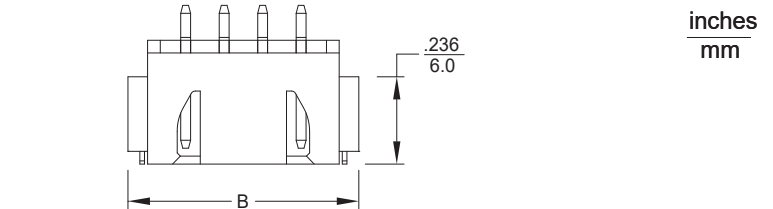
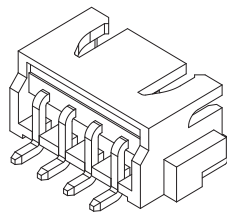
Circuits	Dim. A	Dim. B
N	2.5 x ( N - 1 )	2.5 x ( N + 2 )

&& N = 2 ~ 9

P. C. board layout

## 8823-xxSM Series Right Angle Header, SMT

- 2 ~ 16 circuits available
- Plastic material: Nylon 6T, UL 94V-0
- Gold-flash brass pin
- Solder tab: Tin-Plated brass
- .025"(0.64mm) square pin
- Mates with ALEX 8821-N housing
- Molded friction lock
- Color: Natural



### Dimensional Information ( mm )

Circuits	Dim. A	Dim. B
N	2.5 x ( N - 1 )	2.5 x ( N + 2 )

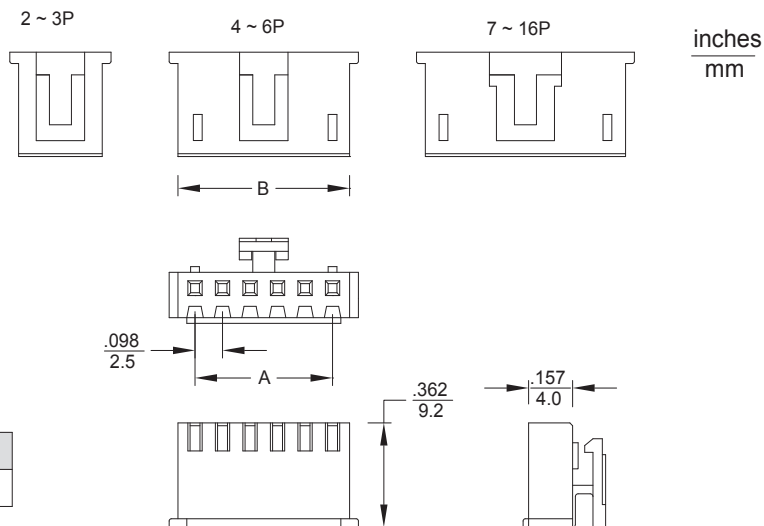
&& N = 2 ~ 16

P. C. board layout

# .098" (2.5mm) Crimp Terminal Housing

## 8824-N Series Crimp Terminal Housing

- 2 ~ 16 circuits available
- Material: 94V-0 nylon 66
- Accepts ALEX 8820T terminal
- Mates with ALEX 8825-N, 8826-N headers



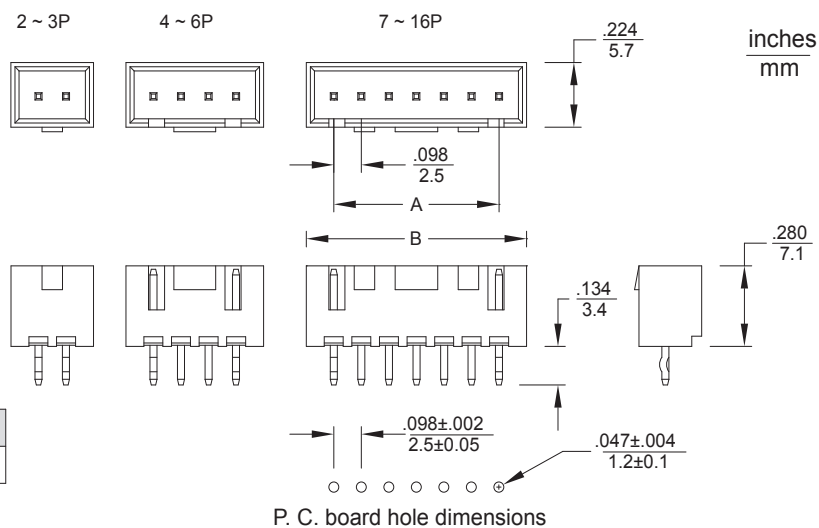
### Dimensional Information ( mm )

Circuits	Dim. A	Dim. B
N	$2.5 \times (N - 1)$	$2.5 \times N + 0.7$

&& N = 2 ~ 16

## 8825-N Series Vertical Header

- 2 ~ 16 circuits available
- UL 94V-0 nylon 66
- Tin-plated brass pin, plating options available
- .025" (0.64mm) square pin
- Mates with ALEX 8824-N housing



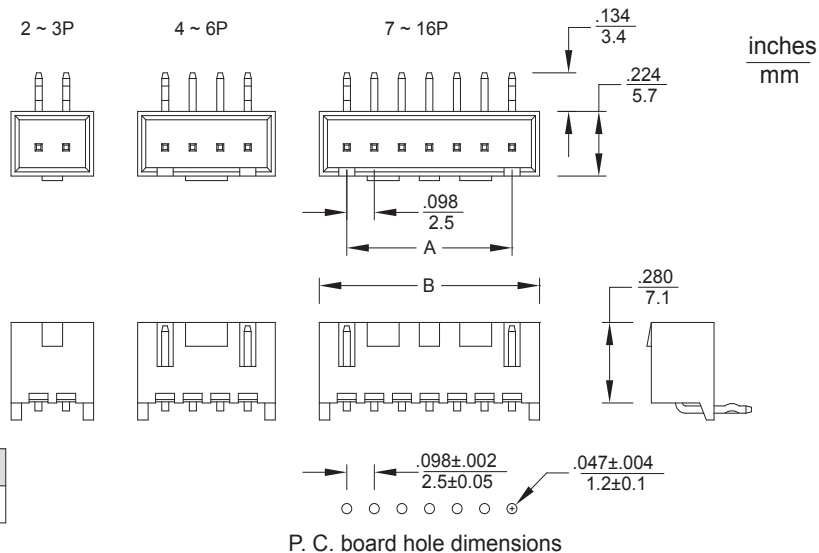
### Dimensional Information ( mm )

Circuits	Dim. A	Dim. B
N	$2.5 \times (N - 1)$	$2.5 \times (N + 1)$

&& N = 2 ~ 16

## 8826-N Series Right Angle Header

- 2 ~ 16 circuits available
- UL 94V-0 nylon 66
- Tin-plated brass pin, plating options available
- .025" (0.64mm) square pin
- Mates with ALEX 8824-N housing



### Dimensional Information ( mm )

Circuits	Dim. A	Dim. B
N	$2.5 \times (N - 1)$	$2.5 \times (N + 1)$

&& N = 2 ~ 16

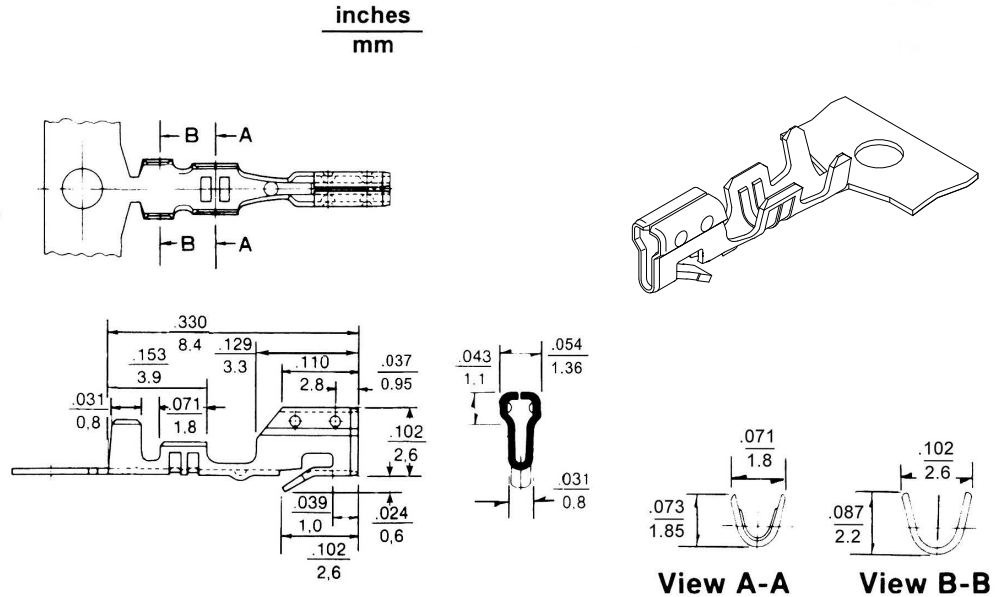


# .098" (2.5 mm) Crimp Terminal Housing

## 54T Series Crimp Terminal

### Features/Dimensions

- Low profile
- 4 point contact
- Pre-tinned brass or phosphor bronze
- Used in Alex 2502 series housing
- Wire range: # 22 – # 28 AWG
- Anti-fishhooking contact design
- UL File No.: E 114003



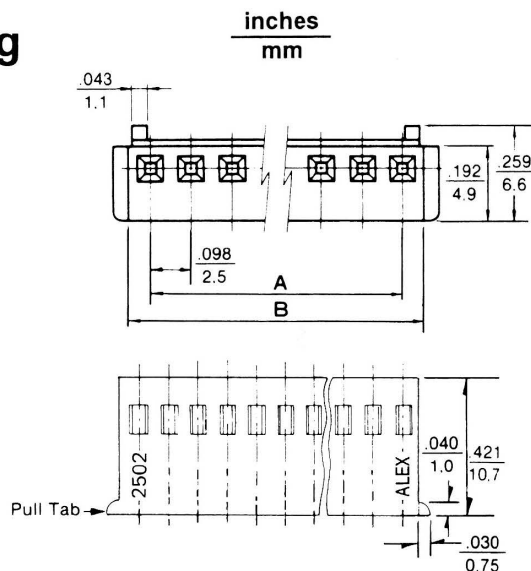
### Ordering Information

Part No.	Material
54T-1202	Brass
54T-9502	Phosphor Bronze

## 2502-N Series Crimp Terminal Housing

### Features/Dimensions

- 2-20 Circuits
- Low profile
- UL 94V-0 nylon 66
- Molded pull tab
- Friction lock
- Accepts Alex 54T terminal
- Mates with Alex 8812, 8813 series headers
- Mates with Alex 2540-N series housing (2-12P)
- UL File No.: E 114003



### Dimensional & Ordering Information-in. (mm)

Circuits	Part No.	Dim. A	Dim. B	Circuits	Part No.	Dim. A	Dim. B
2	2502-02	0.098 ( 2,5)	0.236 ( 6,0)	12	2502-12	1.083 (27,5)	1.220 (31,0)
3	2502-03	0.197 ( 5,0)	0.335 ( 8,5)	13	2502-13	1.181 (30,0)	1.319 (33,5)
4	2502-04	0.295 ( 7,5)	0.433 (11,0)	14	2502-14	1.280 (32,5)	1.417 (36,0)
5	2502-05	0.394 (10,0)	0.531 (13,5)	15	2502-15	1.378 (35,0)	1.516 (38,5)
6	2502-06	0.492 (12,5)	0.630 (16,0)	16	2502-16	1.476 (37,5)	1.614 (41,0)
7	2502-07	0.591 (15,0)	0.728 (18,5)	17	2502-17	1.575 (40,0)	1.713 (43,5)
8	2502-08	0.689 (17,5)	0.827 (21,0)	18	2502-18	1.673 (42,5)	1.811 (46,0)
9	2502-09	0.787 (20,0)	0.925 (23,5)	19	2502-19	1.772 (45,0)	1.909 (48,5)
10	2502-10	0.886 (22,5)	1.024 (26,0)	20	2502-20	1.870 (47,5)	2.007 (51,0)
11	2502-11	0.984 (25,0)	1.122 (28,5)				

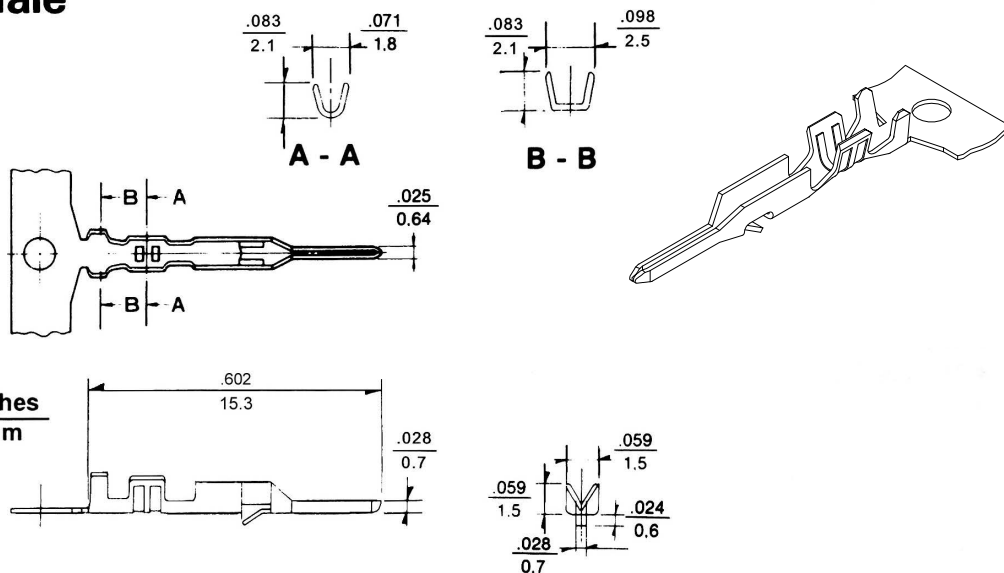


# .098" (2.5 mm) Crimp Terminal Housings

## 41T Series Crimp Terminal, Male

### Features/Dimensions:

- Rigid contact
- Tin-plated
- Used in Alex 2540 series housing
- Wire range – AWG # 22 – # 28
- UL File No.: E 114003



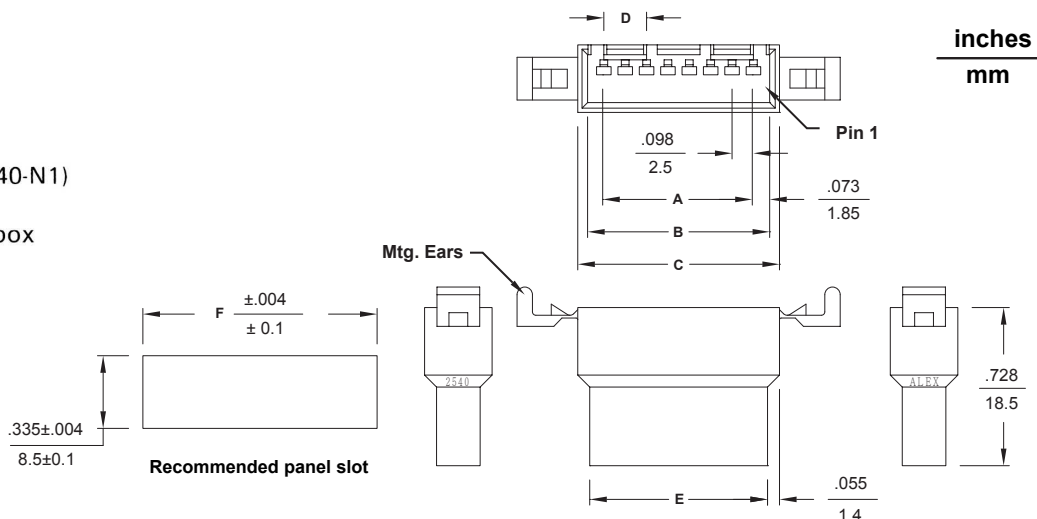
### Ordering Information

Part No.	Material
41T	Brass
41TP	Phosphor Bronze

## 2540-N Series Plug Housing

### Features/Dimensions:

- 2-12 Circuits
- Wire to wire application
- Mounting ears (2540-N)
- Without mounting ears (2540-N1)
- UL 94V-0, nylon 66
- Accepts Alex mini spring-box terminal 41T
- Mates with Alex 2502 series housing
- UL File No.: E 114003



### Ordering and Dimensional Information - in. (mm)

Circuits	Part No.	Dim. A	Dim. B	Dim. C	Dim. D	Dim. E	Dim. F
2	2540-02	.098 (2,5)	.244 ( 6,2)	.338 ( 8,6)	.098 (2,5)	.228 (5,8)	.488 (12,4)
3	2540-03	.197 (5,0)	.342 ( 8,7)	.437 (11,1)	.197 (5,0)	.327 (8,3)	.587 (14,9)
4	2540-04	.295 (7,5)	.440 (11,2)	.535 (13,6)	.295 (7,5)	.425 (10,8)	.685 (17,4)
5	2540-05	.393 (10,0)	.539 (13,7)	.633 (16,1)	.145 (3,7)	.524 (13,3)	.783 (19,9)
6	2540-06	.492 (12,5)	.637 (16,2)	.732 (18,6)	.197 (5,0)	.622 (15,8)	.882 (22,4)
7	2540-07	.591 (15,0)	.736 (18,7)	.830 (21,1)	.197 (5,0)	.720 (18,3)	.980 (24,9)
8	2540-08	.689 (17,5)	.834 (21,2)	.929 (23,6)	.197 (5,0)	.819 (20,8)	1.079 (27,4)
9	2540-09	.787 (20,0)	.933 (23,7)	1.027 (26,1)	.197 (5,0)	.917 (23,3)	1.177 (29,9)
10	2540-10	.886 (22,5)	1.031 (26,2)	1.125 (28,6)	.197 (5,0)	1.016 (25,8)	1.276 (32,4)
11	2540-11	.984 (25,0)	1.130 (28,7)	1.224 (31,1)	.197 (5,0)	1.114 (28,3)	1.374 (34,9)
12	2540-12	1.083 (27,5)	1.228 (31,2)	1.323 (33,6)	.197 (5,0)	1.213 (30,8)	1.472 (37,4)



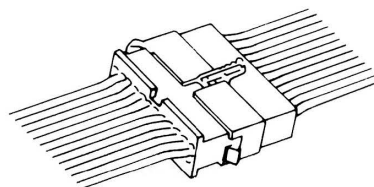
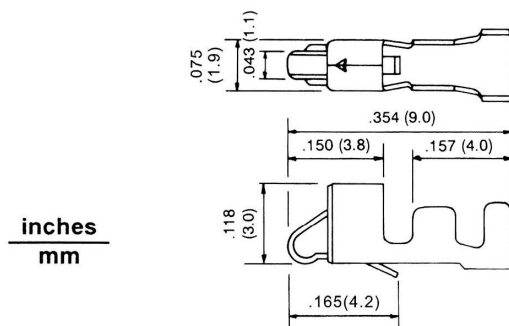
# .098" (2.5mm) Wire-to-wire Connectors

## Specifications

- Current rating: 3A AC, DC max.
- Temperature Range: -25°C ~ +85°C.  
(including temperature rise)
- Contact resistance: Initial value/10mΩ max.  
After environmental testing/20mΩ max.
- Insulation Resistance: 500 MΩ min.
- Withstand voltage: 1,000V AC/minute
- Applicable Wires: AWG #26 ~ #22
- Applicable panel thickness: .020" ~ .079" (0.5~2.0mm)
- UL File No.: E 114003

## 854T Series Crimp Terminal

- Used in 8854 series housing
- Applicable wires: AWG #26 ~ #22
- Material: Tin-plated brass
- Insulation O.D.: .047" (1.2mm) ~  
.071" (1.8mm)

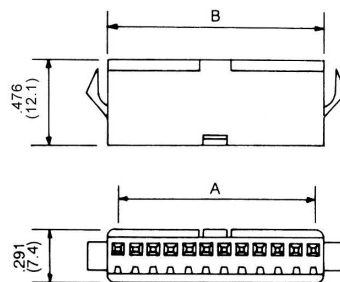
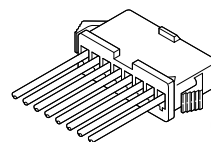


inches  
mm

## 8854-N Series Crimp Terminal Housing

- Material: 94V-0 nylon 66
- 2-12 circuits available
- Standard color: Black
- Accepts 854T terminal
- Mates with 8855 series housing

2P-12P



inches  
mm

### Dimensional Information - in. (mm)

Circuits	Dim. A	Dim. B	Circuits	Dim. A	Dim. B
2	.098 ( 2.5)	.217 ( 5.5)	8	.689 (17.5)	.807 (20.5)
3	.197 ( 5.0)	.315 ( 8.0)	9	.787 (20.0)	.906 (23.0)
4	.295 ( 7.5)	.413 (10.5)	10	.886 (22.5)	1.004 (25.5)
5	.394 (10.0)	.512 (13.0)	11	.984 (25.0)	1.102 (28.0)
6	.492 (12.5)	.610 (15.5)	12	1.083 (27.5)	1.201 (30.5)
7	.591 (15.0)	.709 (18.0)			



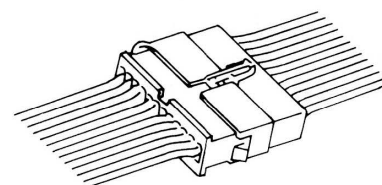
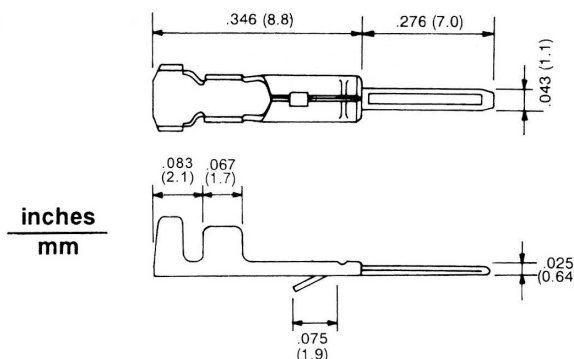
# .098" (2.5mm) Wire-to-wire Connectors

## Specifications

- Current rating: 3A AC, DC max.
- Temperature Range: -25°C ~ +85°C.  
(including temperature rise)
- Contact resistance: Initial value/10mΩ max.  
After environmental testing/20mΩ max.
- Insulation Resistance: 500 MΩ min.
- Withstand voltage: 1,000V AC/minute
- Applicable Wires: AWG #26~#22
- Applicable panel thickness: .020"~.079" (0.5~2.0mm)
- UL File No.: E114003

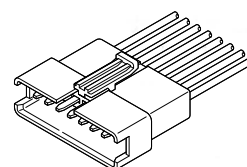
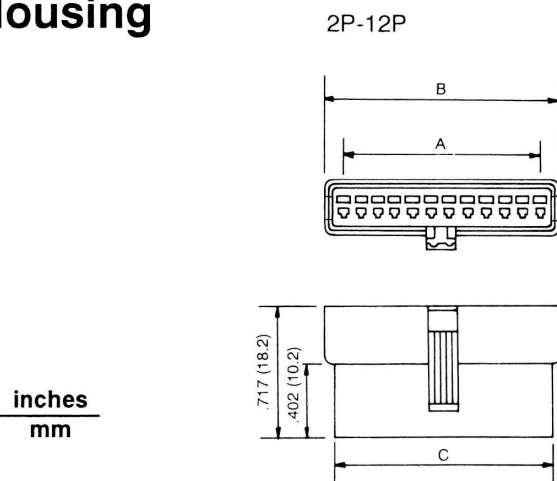
## 855T Series Crimp Terminal

- Used in 8855 series housing
- Applicable wires: AWG #26~#22
- Material: Tin-plated brass
- Insulation O.D.: .047" (1.2mm)~  
.071" (1.8mm)



## 8855-N Series Crimp Terminal Housing

- Material: 94V-0 nylon 66
- 2-12 circuits available
- Standard color: Black
- Accepts 855T terminal
- Mates with 8854 series housing



### Dimensional Information - in. (mm)

Circuits	Dim. A	Dim. B	Dim. C	Circuits	Dim. A	Dim. B	Dim. C
2	.098 ( 2.5)	.315 ( 8.0)	.217 ( 5.5)	8	.689 (17.5)	.906 (23.0)	.807 (20.5)
3	.197 ( 5.0)	.413 (10.5)	.315 ( 8.0)	9	.787 (20.0)	1.004 (25.5)	.906 (23.0)
4	.295 ( 7.5)	.512 (13.0)	.413 (10.5)	10	.886 (22.5)	1.102 (28.0)	1.004 (25.5)
5	.394 (10.0)	.610 (15.5)	.512 (13.0)	11	.984 (25.0)	1.201 (30.5)	1.102 (28.0)
6	.492 (12.5)	.709 (18.0)	.610 (15.5)	12	1.083 (27.5)	1.299 (33.0)	1.201 (30.5)
7	.591 (15.0)	.807 (20.5)	.709 (18.0)				



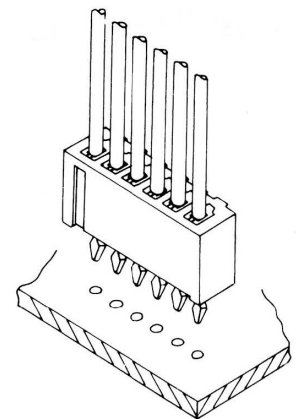
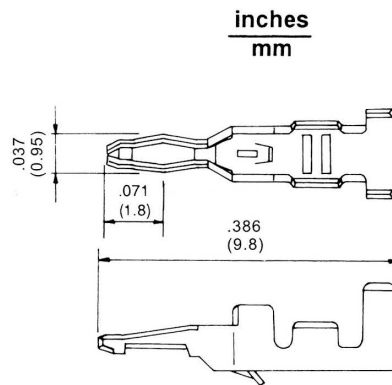
# .098" (2.5mm) Board-In Type Connectors

## Specifications

- Current rating: 3A AC, DC
- Voltage rating: 250V AC, DC
- Temperature range: -25°C ~ +85°C (including temperature rise)
- Insulation resistance: 1,000MΩ min.
- Withstand voltage: 800V AC/minute
- Applicable wires: AWG #22 ~ #28
- Applicable PC board thickness: .047" (1.2mm) .063" (1.6mm)
- UL File No.: E114003

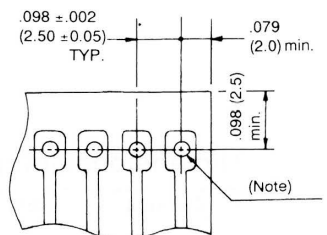
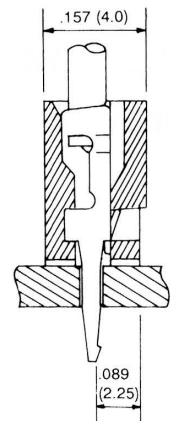
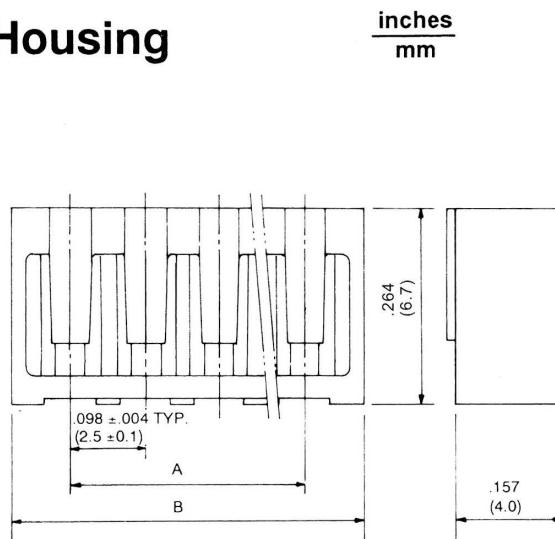
## 925T Crimp Terminal

- Used in 9025 series housing
- Applicable wire: AWG #22 ~ #28
- Material: Tin-plated brass



## 9025-N Series Crimp Terminal Housing

- Material: 94V-0 nylon 66
- 2-15 circuits available
- Standard color: tan
- Accepts 925T terminal



### Dimensional Information - in. (mm)

Circuits	Dim. A	Dim. B	Circuits	Dim. A	Dim. B
2	.098 ( 2.5)	.256 ( 6.5)	9	.787 (20.0)	.945 (24.0)
3	.197 ( 5.0)	.354 ( 9.0)	10	.886 (22.5)	1.043 (26.5)
4	.295 ( 7.5)	.453 (11.5)	11	.984 (25.0)	1.142 (29.0)
5	.394 (10.0)	.551 (14.0)	12	1.083 (27.5)	1.240 (31.5)
6	.492 (12.5)	.650 (16.5)	13	1.181 (30.0)	1.339 (34.0)
7	.591 (15.0)	.748 (19.0)	14	1.280 (32.5)	1.437 (36.5)
8	.689 (17.5)	.846 (21.5)	15	1.378 (35.0)	1.535 (39.0)

**Note:**  
 2~6P:  $\phi .039" \pm .002"$   
 ( $\phi 1.0\text{mm} \pm 0.05$ )  
 7P up:  $\phi .039" \pm .004"$   
 ( $\phi 1.0\text{mm} \pm 0.1$ )



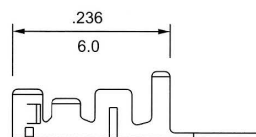
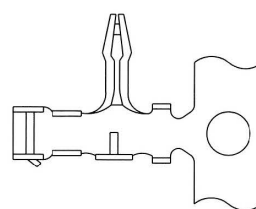
# .098" (2.5mm) Board-In Type Connectors

## Specifications:

- Current rating: 3A AC, DC
- Voltage rating: 250V AC, DC
- Withstanding voltage: 800V AC/minute
- Insulation resistance: 1000MΩ min.
- Temperature rise: -25 °C ~ 85 °C max. (including temperature rise)
- Applicable P.C. board thickness: .063"(1.6mm)

## 926T Series Crimp Terminal

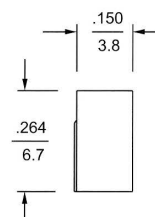
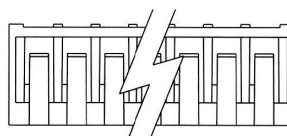
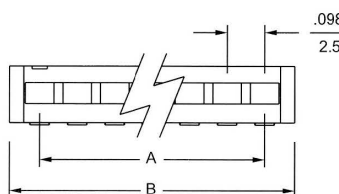
- Material: Brass
- Finished: Tin-plated
- Used in ALEX 9026-N series housing
- Wire range: AWG #22 ~ #28
- Thickness: 0.2mm



inches  
mm

## 9026-N Series Crimp Terminal Housing

- 2 ~ 16 circuits available
- Material: UL 94V-0 nylon 66
- Accepts ALEX 926T terminal



inches  
mm



P.C.B. hole dimensions

### Dimensional Information - in ( mm )

Circuits	Dim. A	Dim. B	Circuits	Dim. A	Dim. B	Circuits	Dim. A	Dim. B
2	0.098 ( 2.5)	0.232 ( 5.9)	7	0.591 (15.0)	0.724 (18.4)	12	1.083 (27.5)	1.217 (30.9)
3	0.197 ( 5.5)	0.331 ( 8.4)	8	0.689 (17.5)	0.823 (20.9)	13	1.181 (30.0)	1.315 (33.4)
4	0.295 ( 7.5)	0.429 (10.9)	9	0.787 (20.0)	0.921 (23.4)	14	1.260 (32.5)	1.413 (35.9)
5	0.394 (10.0)	0.528 (13.4)	10	0.886 (22.5)	1.020 (25.9)	15	1.378 (35.0)	1.512 (38.4)
6	0.492 (12.5)	0.626 (15.9)	11	0.984 (25.0)	1.118 (28.4)	16	1.476 (37.5)	1.610 (40.9)



# .100"(2.54mm) Crimp Terminal Housing

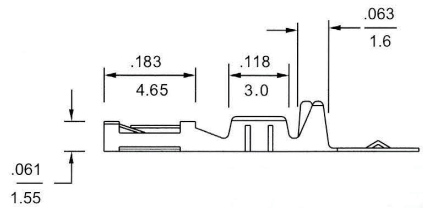
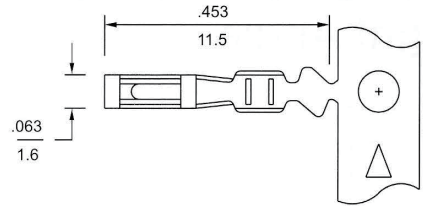
## Specifications:

- Current rating: 1AAC, DC max.
- Voltage rating: 250V AC, DC
- Dielectric Strength: 800V AC/minute
- Applicable P. C. board thickness: .063"(1.6mm)
- Insulation resistance: 1000MΩ min.
- Contact resistance: 20mΩ max.
- Temperature range: -25°C ~ 95°C (including temperature rise)

## 65T Crimp Terminal

- Material: Brass
- Finished: Tin-plated or Tin-plated & Gold flash (Gold flash in the contact area)
- Used in ALEX 6501, 6521 series housings
- Wire range: AWG #22 ~ #28
- Thickness: 0.2mm

inches  
mm



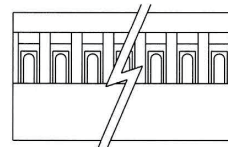
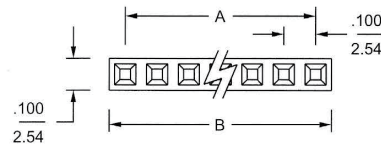
### Ordering Information

Part No.	Finished	Description
65T-1850	Tin-plated & Gold flash	Used in 6501(02~20), 6521(04~20)
65T-1850T	Tin-plated	
65T-1950	Tin-plated & Gold flash	Used in 6501(21~40), 6521(22~80)
65T-1950T	Tin-plated	

## 6501-N Series Single Row Crimp Terminal Housing

- 1 ~ 40 circuits available
- Material: PBT + 15% GF
- Standard color: Black
- Accepts ALEX 65T series terminals
- Mates with ALEX 6502, 6503, 6504, 6508 series headers

inches  
mm



### Dimensional Information - in ( mm )

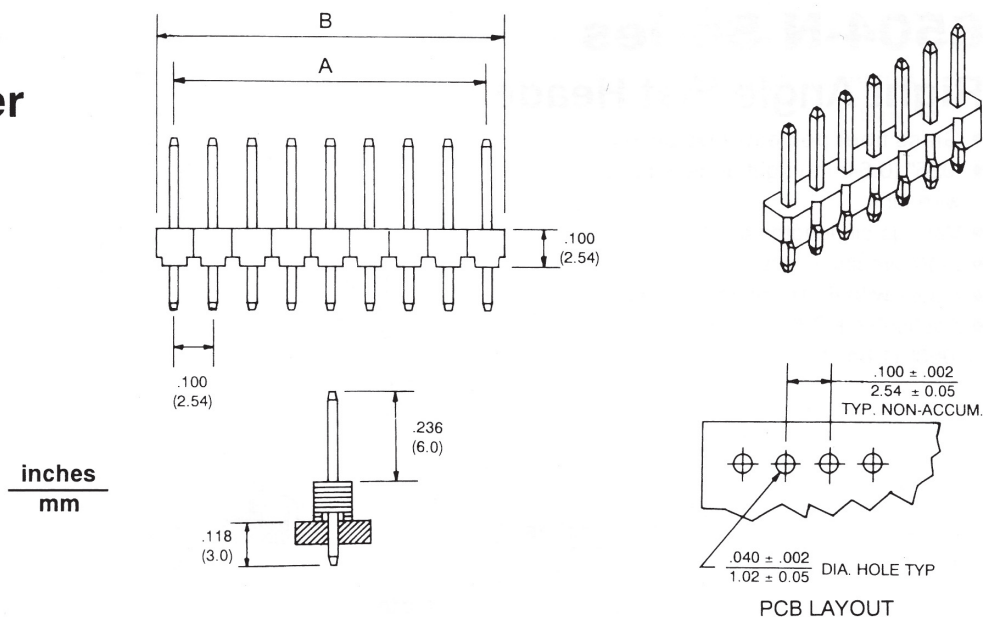
Circuits	Dim.A	Dim.B	Circuits	Dim.A	Dim.B	Circuits	Dim.A	Dim.B
1		0.100 ( 2.54)	15	1.400 (35.56)	1.500 (38.10)	29	2.800 (71.12)	2.900 ( 73.66)
2	0.100 ( 2.54)	0.200 ( 5.08)	16	1.500 (38.10)	1.600 (40.64)	30	2.900 (73.66)	3.000 ( 76.20)
3	0.200 ( 5.08)	0.300 ( 7.62)	17	1.600 (40.64)	1.700 (43.18)	31	3.000 (76.20)	3.100 ( 78.74)
4	0.300 ( 7.62)	0.400 (10.16)	18	1.700 (43.18)	1.800 (45.72)	32	3.100 (78.74)	3.200 ( 81.28)
5	0.400 (10.16)	0.500 (12.70)	19	1.800 (45.72)	1.900 (48.26)	33	3.200 (81.28)	3.300 ( 83.82)
6	0.500 (12.70)	0.600 (15.24)	20	1.900 (48.26)	2.000 (50.80)	34	3.300 (83.82)	3.400 ( 86.36)
7	0.600 (15.24)	0.700 (17.78)	21	2.000 (50.80)	2.100 (53.34)	35	3.400 (86.36)	3.500 ( 88.90)
8	0.700 (17.78)	0.800 (20.32)	22	2.100 (53.34)	2.200 (55.88)	36	3.500 (88.90)	3.600 ( 91.44)
9	0.800 (20.32)	0.900 (22.86)	23	2.200 (55.88)	2.300 (58.42)	37	3.600 (91.44)	3.700 ( 93.98)
10	0.900 (22.86)	1.000 (25.40)	24	2.300 (58.42)	2.400 (60.96)	38	3.700 (93.98)	3.800 ( 96.52)
11	1.000 (25.40)	1.100 (27.94)	25	2.400 (60.96)	2.500 (63.50)	39	3.800 (96.52)	3.900 ( 99.06)
12	1.100 (27.94)	1.200 (30.48)	26	2.500 (63.50)	2.600 (66.04)	40	3.900 (99.06)	4.000 (101.60)
13	1.200 (30.48)	1.300 (33.02)	27	2.600 (66.04)	2.700 (68.58)			
14	1.300 (33.02)	1.400 (35.56)	28	2.700 (68.58)	2.800 (71.12)			



# .100" (2.54mm) Center Headers

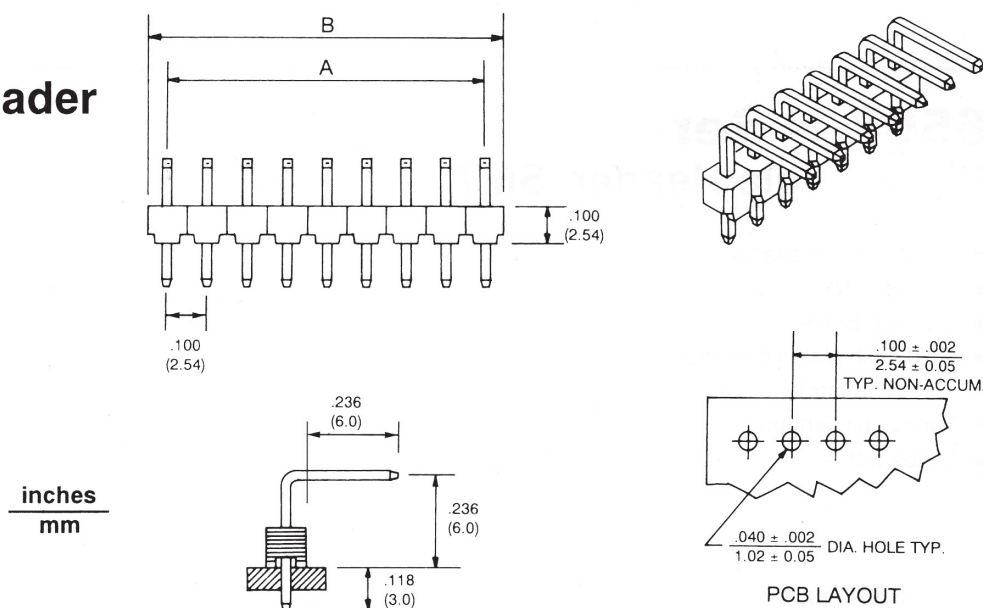
## 6502-N Series Straight Flat Header

- PBT, UL 94V-0
- .025" (0.64mm) straight square wire pins
- Various pin lengths available
- 1-40 circuits available
- Mates with 6501 series housing
- Stackable side-to-side and end-to-end



## 6503-N Series Right Angle Flat header

- PBT, UL 94V-0
- .025" (0.64mm) right angle square wire pins
- Various pin lengths available
- 1-40 circuits available
- Mates with 6501 series housing
- Stackable end-to-end



### Dimensional Information - in. (mm) 6502/6503

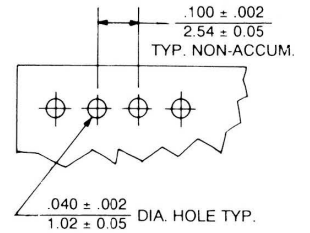
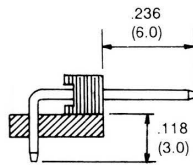
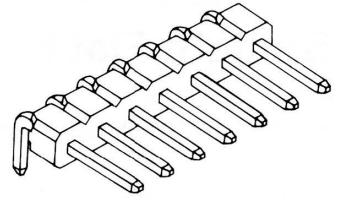
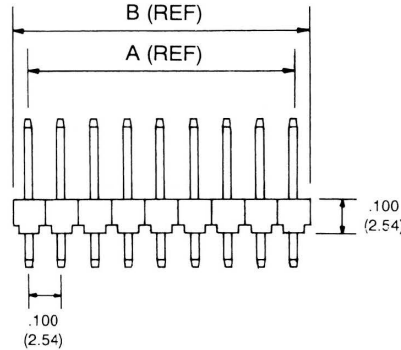
Circuits	Dim. A	Dim. B	Circuits	Dim. A	Dim. B	Circuits	Dim. A	Dim. B
1		0.100 ( 2.54)	15	1.400 (35.56)	1.500 (38.10)	29	2.800 (71.12)	2.900 ( 73.66)
2	0.100 ( 2.54)	0.200 ( 5.08)	16	1.500 (38.10)	1.600 (40.64)	30	2.900 (73.66)	3.000 ( 76.20)
3	0.200 ( 5.08)	0.300 ( 7.62)	17	1.600 (40.64)	1.700 (43.18)	31	3.000 (76.20)	3.100 ( 78.74)
4	0.300 ( 7.62)	0.400 (10.16)	18	1.700 (43.18)	1.800 (45.72)	32	3.100 (78.74)	3.200 ( 81.28)
5	0.400 (10.16)	0.500 (12.70)	19	1.800 (45.72)	1.900 (48.26)	33	3.200 (81.28)	3.300 ( 83.82)
6	0.500 (12.70)	0.600 (15.24)	20	1.900 (48.26)	2.000 (50.80)	34	3.300 (83.82)	3.400 ( 86.36)
7	0.600 (15.24)	0.700 (17.78)	21	2.000 (50.80)	2.100 (53.34)	35	3.400 (86.36)	3.500 ( 88.90)
8	0.700 (17.78)	0.800 (20.32)	22	2.100 (53.34)	2.200 (55.88)	36	3.500 (88.90)	3.600 ( 91.44)
9	0.800 (20.32)	0.900 (22.86)	23	2.200 (55.88)	2.300 (58.42)	37	3.600 (91.44)	3.700 ( 93.98)
10	0.900 (22.86)	1.000 (25.40)	24	2.300 (58.42)	2.400 (60.96)	38	3.700 (93.98)	3.800 ( 96.52)
11	1.000 (25.40)	1.100 (27.94)	25	2.400 (60.96)	2.500 (63.50)	39	3.800 (96.52)	3.900 ( 99.06)
12	1.100 (27.94)	1.200 (30.48)	26	2.500 (63.50)	2.600 (66.04)	40	3.900 (99.06)	4.000 (101.60)
13	1.200 (30.48)	1.300 (33.02)	27	2.600 (66.04)	2.700 (68.58)			
14	1.300 (33.02)	1.400 (35.56)	28	2.700 (68.58)	2.800 (71.12)			



# .100" (2.54mm) Right Angle Header

## 6504-N Series Right Angle Flat Header

- PBT, UL 94V-0
- .025" (0.64mm) right angle square wire pins
- Various pin lengths available
- 2-40 circuits available
- Mates with 6501 series housing
- Applicable PC board thickness: .063" (1.6mm)



inches  
mm

Note:

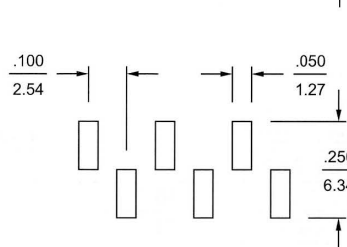
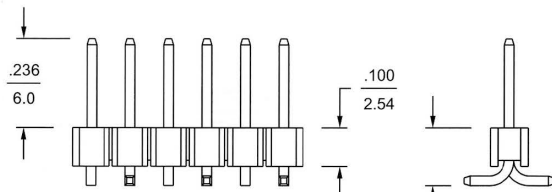
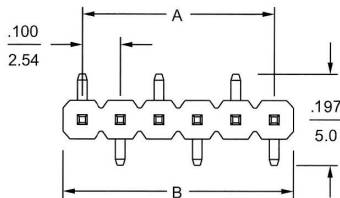
A = (Circuits - 1) x (2.54mm)  
B = Circuits x (2.54mm)

PCB LAYOUT

## 6508-N Series Right Angle Header, SMT

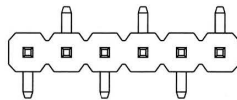
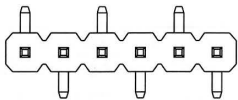
- 2 ~ 40 circuits available
- Insulator: Nylon 6T
- Contact: Brass
- Gold flash plated over nickel
- .025" (0.64mm) square pin
- Various pin lengths available
- Mates with ALEX 6501 housing

inches  
mm



6508-xxA

6508-xxB



P. C. board hole dimensions

### Dimensional Information ( mm )

Part No.	Dim. A	Dim. B
6508-xxA	2.54 x ( N - 1 )	2.54 x N
6508-xxB		

&& N = 2 ~ 40



# .100"(2.54mm) Single Row Right Angle Header

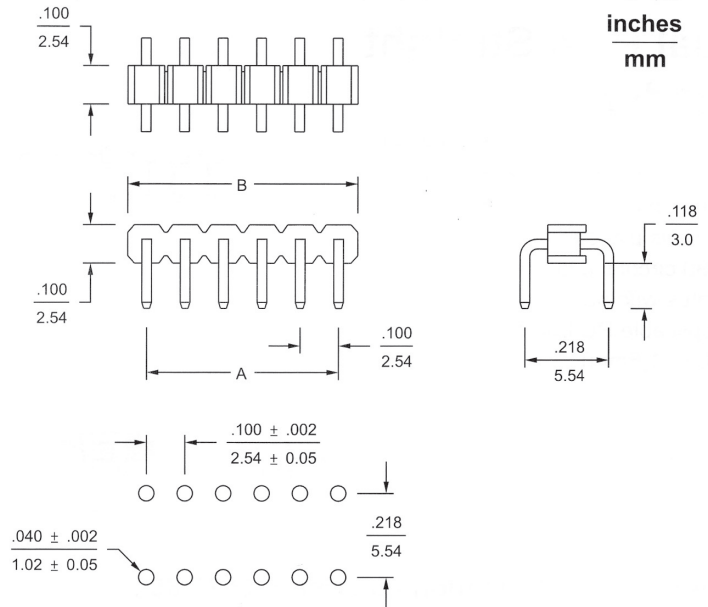
## 6509-N Series Right Angle Header

- 2 ~ 40 circuits available
- Insulator: PBT, UL 94V-0
- Contact: Brass
- Gold flash plated over nickel
- .025"(0.64mm) square pin
- Various pin lengths available

### Dimensional Information ( mm )

Part No.	Dim. A	Dim. B
6509-N	2.54 x ( N - 1 )	2.54 x N

&& N = 2 ~ 40

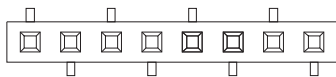


P. C. board hole dimensions

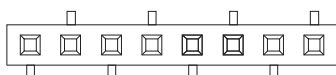
# 9923-xxx-1 Series Single Row Vertical Header, SMT

- 2 ~ 40 circuits available
- Material: Nylon 6T, Black
- Contact material: phosphor bronze
- Finished: Gold-flash over nickel
- Packing: Tape & Reel

9923-xxA

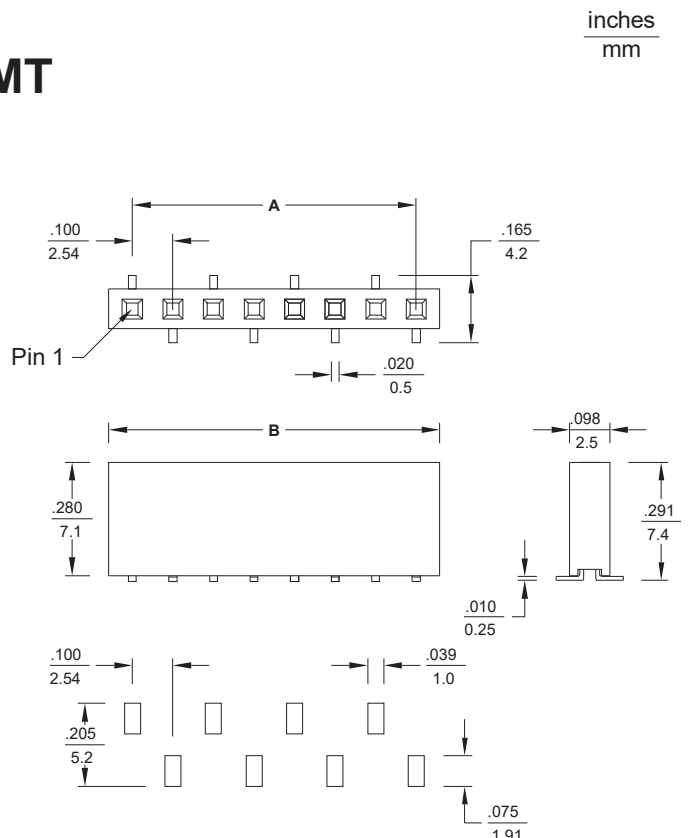


9923-xxB



### Dimensional Information ( mm )

Circuits	Dim. A	Dim. B
N = 2, 3	2.54 x ( N - 1 )	2.0 x N
N = 4 ~ 40		2.0 x N + 0.4



Recommended P. C. B. hole dimension

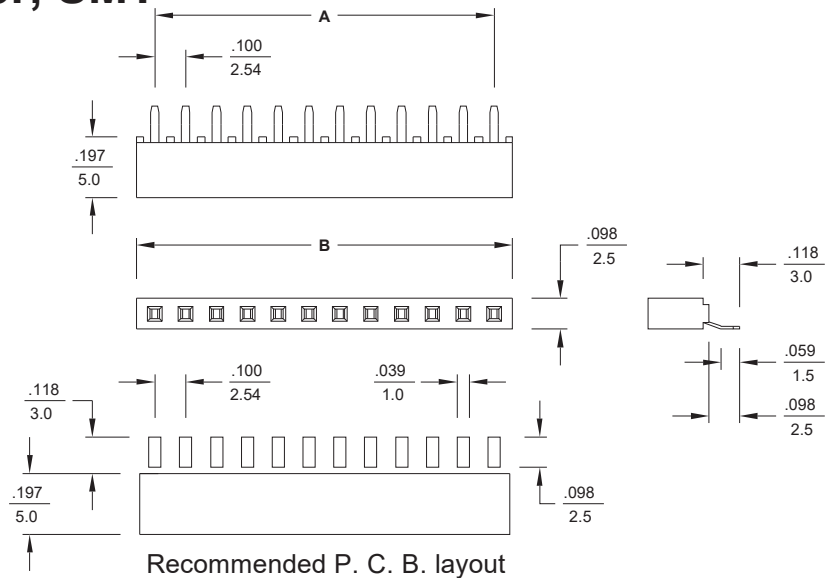


# .100"(2.54mm) Single Row Right Angle Header

## 9941-xx-x Series Single Row Right Header, SMT

- 2 ~ 40 circuits available
- Material: UL 94V-0 nylon 9T
- Contact material: Phosphor bronze
- Finished: Gold-flash over nickel
- Packing: Box, Tube or Tape & Reel

inches  
mm



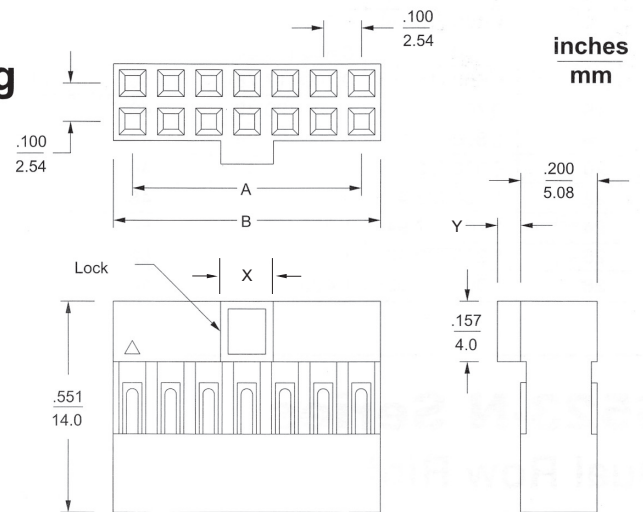
### Dimensional Information ( mm )

Circuits	Dim. A	Dim. B
N	2.54 x ( N - 1 )	2.54 x N + 0.6

&& N = 2 ~ 40

## 6521-xx Series Dual Row Crimp Connector Housing

- 4 ~ 80 circuits available
- Material: PBT, UL 94V-0
- Standard color: Black
- Accepts ALEX 65T series terminals
- Mates with ALEX 6522, 6523, 9920 series headers



inches  
mm

### Ordering Information - in ( mm )

Part No.	Description	Note	Dim.X	Dim.Y
6521-xx	Without lock	xx = 04 ~ 80		
6521-xx-PR	With lock	xx = 06 ~ 80	.138(3.50)	.061(1.55)

### Dimensional Information - in ( mm )

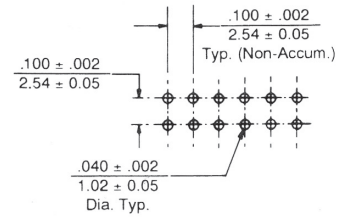
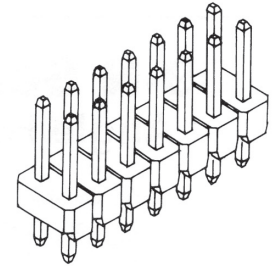
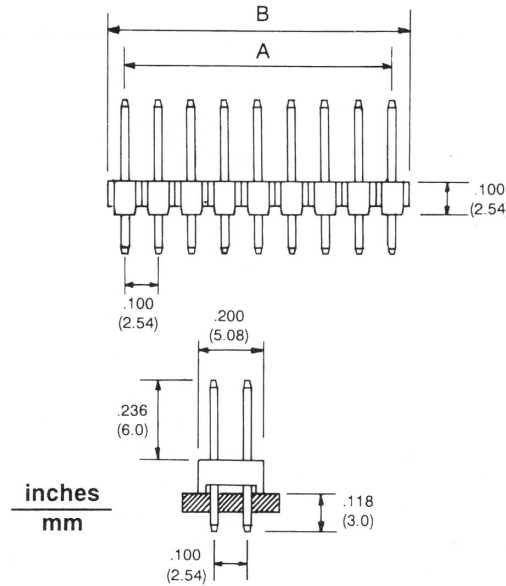
Circuits	Dim. A	Dim. B	Circuits	Dim. A	Dim. B	Circuits	Dim. A	Dim. B
4	0.100 ( 2.54)	0.200 ( 5.08)	30	1.400 (35.56)	1.500 (38.10)	56	2.700 (68.58)	2.800 ( 71.12)
6	0.200 ( 5.08)	0.300 ( 7.62)	32	1.500 (38.10)	1.600 (40.64)	58	2.800 (71.12)	2.900 ( 73.66)
8	0.300 ( 7.62)	0.400 (10.16)	34	1.600 (40.64)	1.700 (43.18)	60	2.900 (73.66)	3.000 ( 76.20)
10	0.400 (10.16)	0.500 (12.70)	36	1.700 (43.18)	1.800 (45.72)	62	3.000 (76.20)	3.100 ( 78.74)
12	0.500 (12.70)	0.600 (15.24)	38	1.800 (45.72)	1.900 (48.26)	64	3.100 (78.74)	3.200 ( 81.28)
14	0.600 (15.24)	0.700 (17.78)	40	1.900 (48.26)	2.000 (50.80)	66	3.200 (81.28)	3.300 ( 83.82)
16	0.700 (17.78)	0.800 (20.32)	42	2.000 (50.80)	2.100 (53.34)	68	3.300 (83.82)	3.400 ( 86.36)
18	0.800 (20.32)	0.900 (22.86)	44	2.100 (53.34)	2.200 (55.88)	70	3.400 (86.36)	3.500 ( 88.90)
20	0.900 (22.86)	1.000 (25.40)	46	2.200 (55.88)	2.300 (58.42)	72	3.500 (88.90)	3.600 ( 91.44)
22	1.000 (25.40)	1.100 (27.94)	48	2.300 (58.42)	2.400 (60.96)	74	3.600 (91.44)	3.700 ( 93.98)
24	1.100 (27.94)	1.200 (30.48)	50	2.400 (60.96)	2.500 (63.50)	76	3.700 (93.98)	3.800 ( 96.52)
26	1.200 (30.48)	1.300 (33.02)	52	2.500 (63.50)	2.600 (66.04)	78	3.800 (96.52)	3.900 ( 99.06)
28	1.300 (33.02)	1.400 (35.56)	54	2.600 (66.04)	2.700 (68.58)	80	3.900 (99.06)	4.000 (101.60)



# .100" (2.54mm) Center Headers

## 6522-N Series Dual Row Straight Header

- Material: PBT, UL 94V-0
- .025" (0.64mm) straight square wire pins
- Various pin lengths available
- 4-80 circuits available
- Mates with 6521 series housing
- Applicable PC board thickness: .063" (1.6mm)



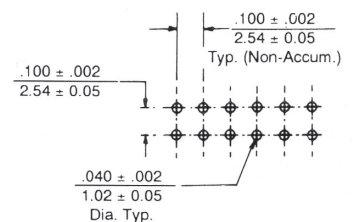
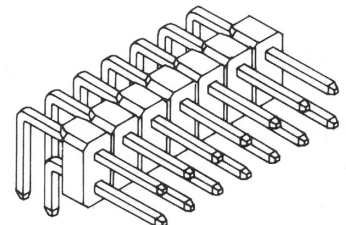
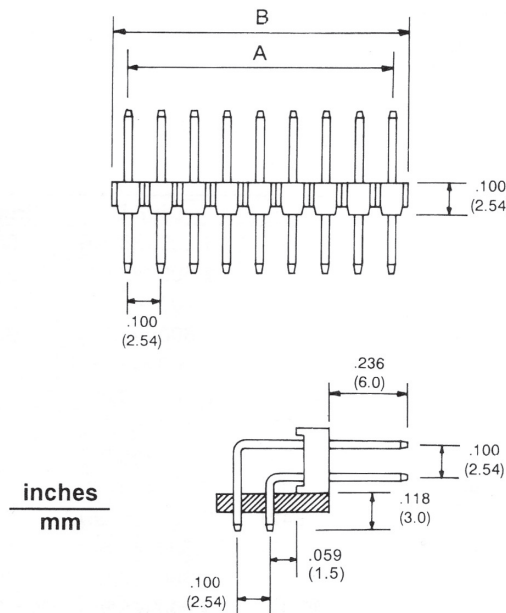
Recommended P.C. Board Hole Layout

### Dimensional Information - in. (mm) 6522/6523

Circuits	Dim. A	Dim. B	Circuits	Dim. A	Dim. B	Circuits	Dim. A	Dim. B
4	0.100 ( 2.54)	0.200 ( 5.08)	30	1.400 (35.56)	1.500 (38.10)	56	2.700 (68.58)	2.800 ( 71.12)
6	0.200 ( 5.08)	0.300 ( 7.62)	32	1.500 (38.10)	1.600 (40.64)	58	2.800 (71.12)	2.900 ( 73.66)
8	0.300 ( 7.62)	0.400 (10.16)	34	1.600 (40.64)	1.700 (43.18)	60	2.900 (73.66)	3.000 ( 76.20)
10	0.400 (10.16)	0.500 (12.70)	36	1.700 (43.18)	1.800 (45.72)	62	3.000 (76.20)	3.100 ( 78.74)
12	0.500 (12.70)	0.600 (15.24)	38	1.800 (45.72)	1.900 (48.26)	64	3.100 (78.74)	3.200 ( 81.28)
14	0.600 (15.24)	0.700 (17.78)	40	1.900 (48.26)	2.000 (50.80)	66	3.200 (81.28)	3.300 ( 83.82)
16	0.700 (17.78)	0.800 (20.32)	42	2.000 (50.80)	2.100 (53.34)	68	3.300 (83.82)	3.400 ( 86.36)
18	0.800 (20.32)	0.900 (22.86)	44	2.100 (53.34)	2.200 (55.88)	70	3.400 (86.36)	3.500 ( 88.90)
20	0.900 (22.86)	1.000 (25.40)	46	2.200 (55.88)	2.300 (58.42)	72	3.500 (88.90)	3.600 ( 91.44)
22	1.000 (25.40)	1.100 (27.94)	48	2.300 (58.42)	2.400 (60.96)	74	3.600 (91.44)	3.700 ( 93.98)
24	1.100 (27.94)	1.200 (30.48)	50	2.400 (60.96)	2.500 (63.50)	76	3.700 (93.98)	3.800 ( 96.52)
26	1.200 (30.48)	1.300 (33.02)	52	2.500 (63.50)	2.600 (66.04)	78	3.800 (96.52)	3.900 ( 99.06)
28	1.300 (33.02)	1.400 (35.56)	54	2.600 (66.04)	2.700 (68.58)	80	3.900 (99.06)	4.000 (101.60)

## 6523-N Series Dual Row Right Angle Header

- PBT, UL 94V-0
- .025" (0.64mm) right angle square wire pins
- Various pin lengths available
- 4-80 circuits available
- Mates with 6521 series housing
- Applicable PC board thickness: .063" (1.6mm)



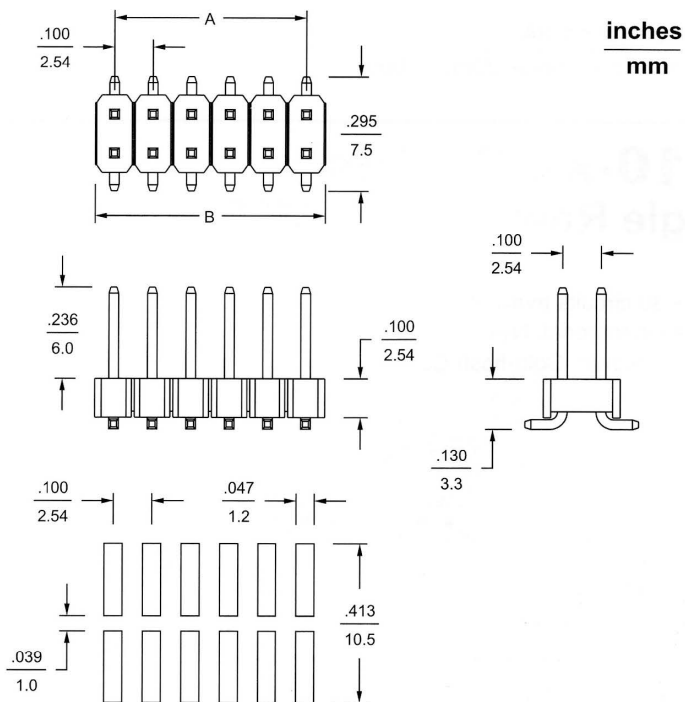
Recommended P.C. Board Hole Layout



# .100"(2.54mm) Dual Row Right Angle Header

## 9920-N Series Dual Row Vertical Header, SMT

- 4 ~ 80 circuits available
- Insulator: Nylon 6T
- Contact: Brass
- Gold flash plated over nickel
- .025"(0.64mm) square pin
- Various pin lengths available
- Mates with ALEX 6521 housing



### Dimensional Information ( mm )

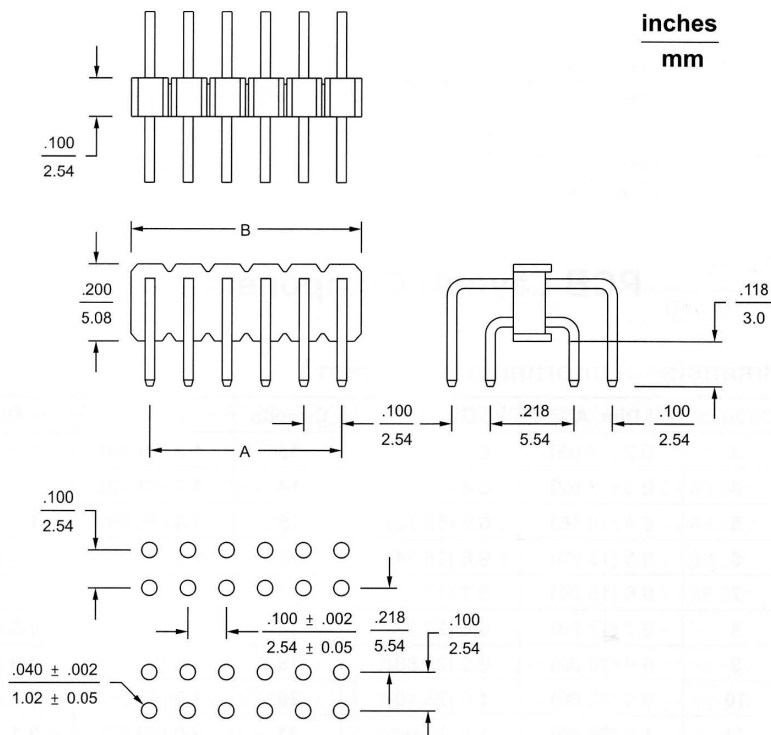
Part No.	Dim. A	Dim. B
9920-N	1.27×(N-2)	1.27×N

&& N = 4 ~ 80

P. C. board hole dimensions

## 9922-N Series Right Angle Header

- 4 ~ 80 circuits available
- Insulator: PBT, UL 94V-0
- Contact: Brass
- Gold flash plated over nickel
- .025"(0.64mm) square pin
- Various pin lengths available



### Dimensional Information ( mm )

Part No.	Dim. A	Dim. B
9922-N	1.27×(N-2)	1.27×N

&& N = 4 ~ 80

P. C. board hole dimensions



# .100"(2.54mm) Single Row Pin Header, SMT

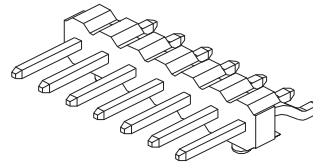
## Specification:

- Current rating: 3A
- Contact resistance: 20mΩ Max.
- Dielectric withstanding voltage: 1000V AC/minute
- Ambient temperature range: -55°C ~ 105°C

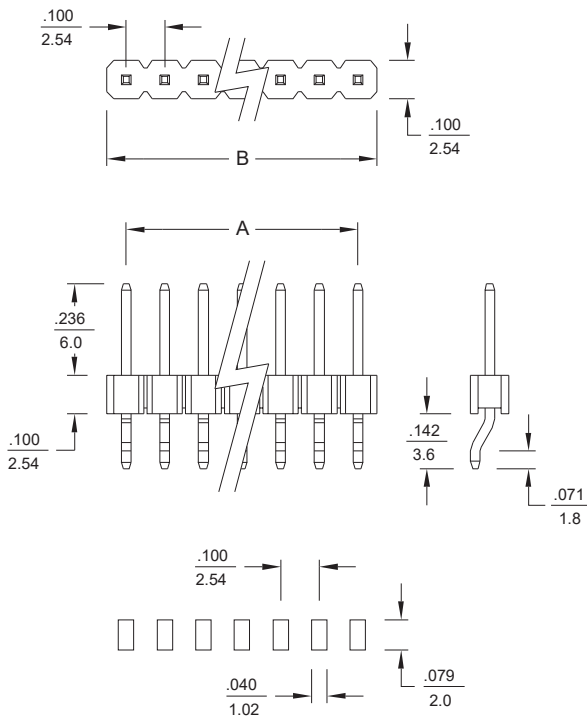
## 6510-xx Series Single Row Header, SMT

inches  
mm

- 2 ~ 40 circuits available
- Material: Nylon 6T
- Pin material: Gold-flash brass pin
- .025"(0.64mm) square pin



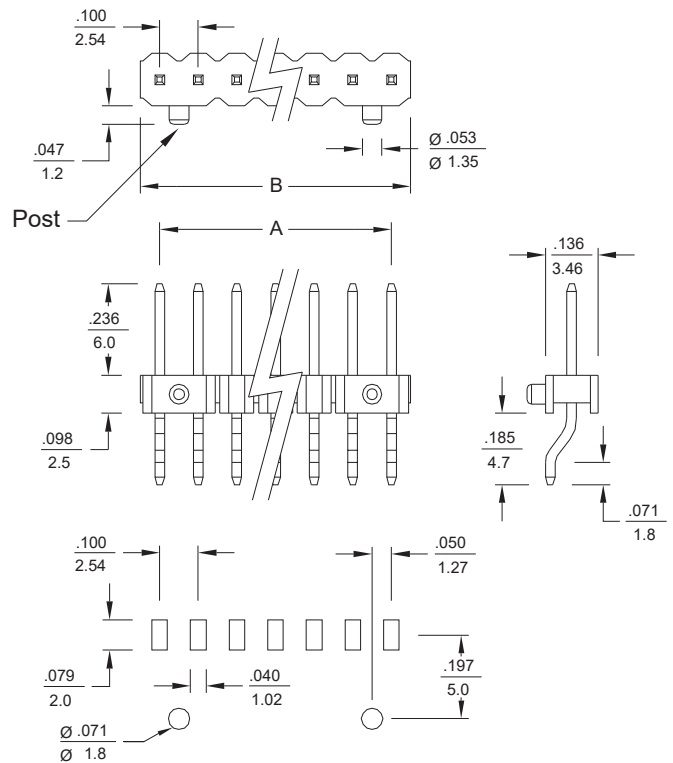
6510-N (Without post)



PCB Layout: Component side

6510-NP (With post)

6510-NP1 (Without post)



PCB Layout: Component side

## Ordering & Dimensional Information ( mm )

Part No.	N	Feature	Dim. A	Dim. B
6510-N	2 ~ 40	Without post	2.54 x ( N - 1 )	2.54 x N
6510-NP	3 ~ 40	With post		
6510-NP1		Without post		



# .100"(2.54mm) Dual Row Pin Header, SMT

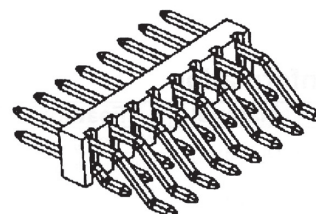
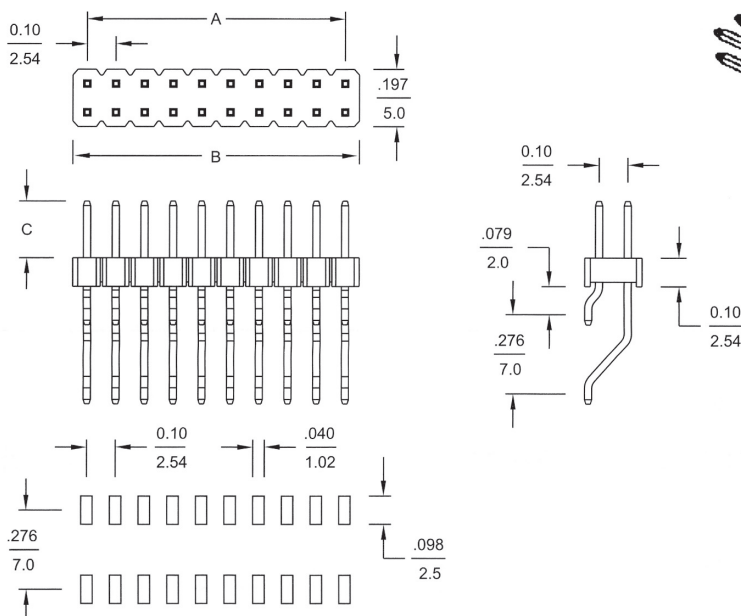
## Specifications:

- Current rating: 3A
- Contact resistance: 20mΩ Max.
- Dielectric withstanding voltage: 600V AC/minute
- Ambient temperature range: -40 °C ~ 105 °C

## 6525-N Series Dual Row Header, SMT

inches  
mm

- 4 ~ 80 circuits available
- Plastic material: Nylon 6T
- Pin material: Gold-flash Copper Alloy
- .025"(0.64mm) square pin
- Pin length: Custom length available



### PCB Layout: Component side

#### Dimensional Information - in ( mm )

Circuits	Dim. A	Dim. B	Circuits	Dim. A	Dim. B	Circuits	Dim. A	Dim. B
4	0.1 ( 2.54)	0.2 ( 5.08)	30	1.4 ( 35.56)	1.5 ( 38.10)	56	2.7 ( 68.58)	2.8 ( 71.12)
6	0.2 ( 5.08)	0.3 ( 7.62)	32	1.5 ( 38.10)	1.6 ( 40.64)	58	2.8 ( 71.12)	2.9 ( 73.66)
8	0.3 ( 7.62)	0.4 ( 10.16)	34	1.6 ( 40.64)	1.7 ( 43.18)	60	2.9 ( 73.66)	3.0 ( 76.20)
10	0.4 ( 10.16)	0.5 ( 12.70)	36	1.7 ( 43.18)	1.8 ( 45.72)	62	3.0 ( 76.20)	3.1 ( 78.74)
12	0.5 ( 12.70)	0.6 ( 15.24)	38	1.8 ( 45.72)	1.9 ( 48.26)	64	3.1 ( 78.74)	3.2 ( 81.28)
14	0.6 ( 15.24)	0.7 ( 17.78)	40	1.9 ( 48.26)	2.0 ( 50.80)	66	3.2 ( 81.28)	3.3 ( 83.82)
16	0.7 ( 17.78)	0.8 ( 20.32)	42	2.0 ( 50.80)	2.1 ( 53.34)	68	3.3 ( 83.82)	3.4 ( 86.36)
18	0.8 ( 20.32)	0.9 ( 22.86)	44	2.1 ( 53.34)	2.2 ( 55.88)	70	3.4 ( 86.36)	3.5 ( 88.90)
20	0.9 ( 22.86)	1.0 ( 25.40)	46	2.2 ( 55.88)	2.3 ( 58.42)	72	3.5 ( 88.90)	3.6 ( 91.44)
22	1.0 ( 25.40)	1.1 ( 27.94)	48	2.3 ( 58.42)	2.4 ( 60.96)	74	3.6 ( 91.44)	3.7 ( 93.98)
24	1.1 ( 27.94)	1.2 ( 30.48)	50	2.4 ( 60.96)	2.5 ( 63.50)	76	3.7 ( 93.98)	3.8 ( 96.52)
26	1.2 ( 30.48)	1.3 ( 33.02)	52	2.5 ( 63.50)	2.6 ( 66.04)	78	3.8 ( 96.52)	3.9 ( 99.06)
28	1.3 ( 33.02)	1.4 ( 35.56)	54	2.6 ( 66.04)	2.7 ( 68.58)	80	3.9 ( 99.06)	4.0 ( 101.60)

# .100"(2.54mm) Dual Row Pin Header, SMT

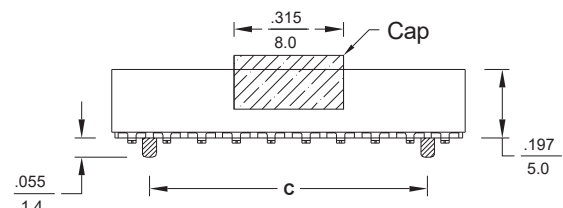
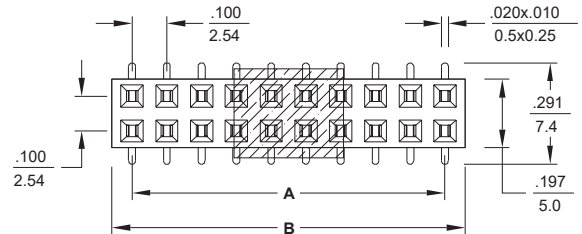
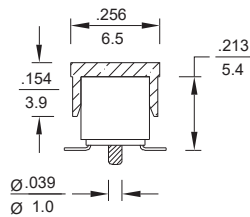
## 9927-xx-x-04 Series Dual Row Female Header, SMT

 inches  
mm

- 6 ~ 80 circuits available
- Material: UL 94V-0 nylon 6T
- Contact material: Phosphor bronze
- Finished: Gold-flash over nickel
- With cap

### Ordering Information

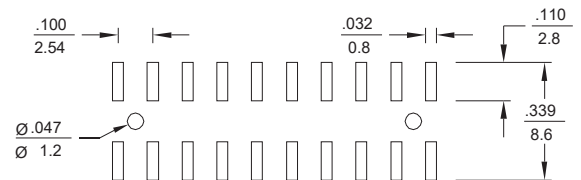
Part No.	Feature	Packing
9927-xx-0-04	Without Peg	Tube
9927-xx-1-04		Tape & Reel
9927-xxP-0-04	With Peg	Tube
9927-xxP-1-04		Tape & Reel



### Dimensional Information ( mm )

Circuits	Dim. A	Dim. B	Dim. C
N	1.27 x ( N - 2 )	1.27 x N + 0.4	1.27 x ( N - 4 )

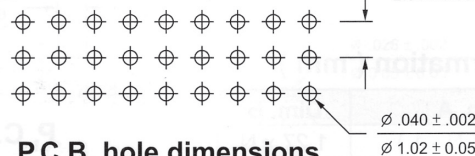
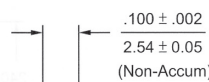
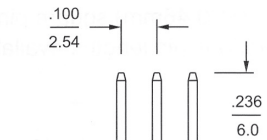
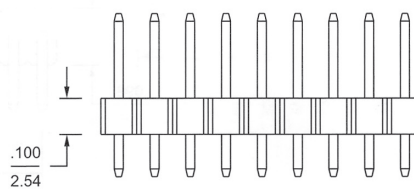
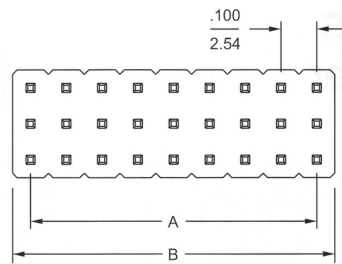
&amp;&amp; N = 6 ~ 80



Recommended P. C. B. hole dimension

## 9904-N Series Triple Row Straight Header

- 3 ~ 120 circuits available
- Material: PBT
- Gold flash brass
- .025"(0.64mm) straight square wire pins
- Various pin lengths available

 inches  
mm


P.C.B. hole dimensions

### Dimensional Information ( mm )

Part No.	Dim. A	Dim. B
9904-N	2.54 x ( N / 3 - 1 )	2.54 x N / 3

&amp;&amp; N = Number of contact, 3 ~ 120



# .100"(2.54mm) Mini Jumper

## Specifications:

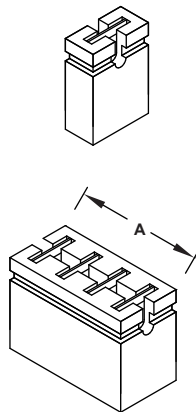
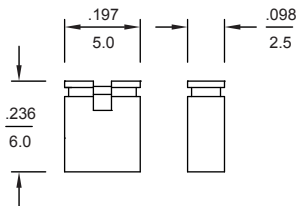
- Current rating: 3A
- Withstand voltage: AC 500V/minute
- Insulation resistance: 1000MΩ Min., 500V DC/minute
- Temperature range: -40°C ~ 105°C

## J-254-x Series Mini Jumper

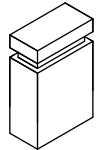
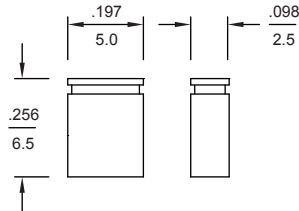
inches  
mm

- Contact material: Brass
- Insulator material: Polyester, UL 94V-0
- Open type or close type
- Easiest way of programming by simply connecting contact points together.
- Easy applied-No soldering.
- All side stackable.
- Low cost alternative to DIP switch.
- Mates with ALEX 6502, 6503, 6504, 6508, 6522, 6523, 9920 headers
- Standard color: Black

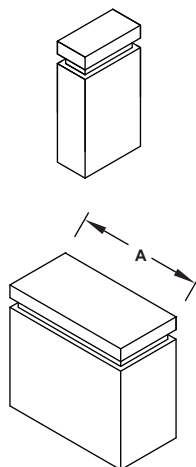
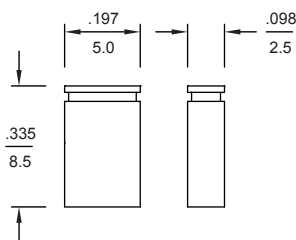
### J-254-1



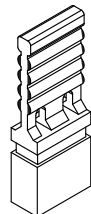
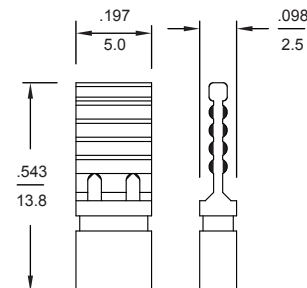
### J-254-2



### J-254-3



### J-254-4



Note:

$A = 2.54 \times N$   
(  $N = 4 \sim 20$  )



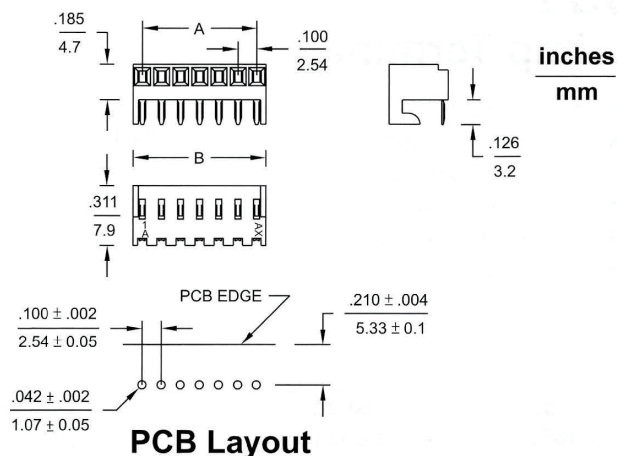
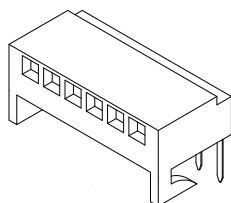
# .100"(2.54mm) KK Type PC Board Connector

## Specifications:

- Current rating: 2.5A Max.
- Voltage rating: 250V
- Dielectric withstanding voltage: 1500V AC/minute
- Insulation resistance: 500KMΩ Min.
- Contact resistance: 20mΩ Max.
- Temperature: 0 °C ~ 75 °C
- Recommended PCB thickness: .062"(1.57mm)
- UL file No. : E114003

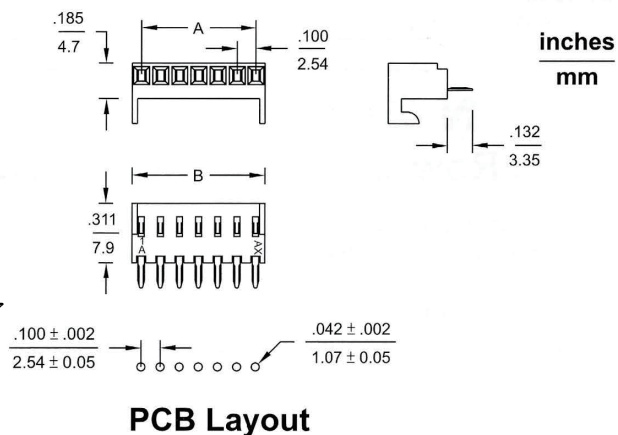
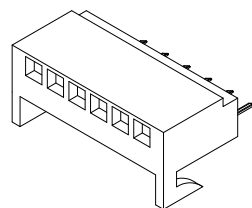
## 6505-N Series Right Angle

- 2 ~ 25 circuits available
- Contact material: Tin-plated phosphor bronze
- Plastic material: UL 94V-0 nylon 66



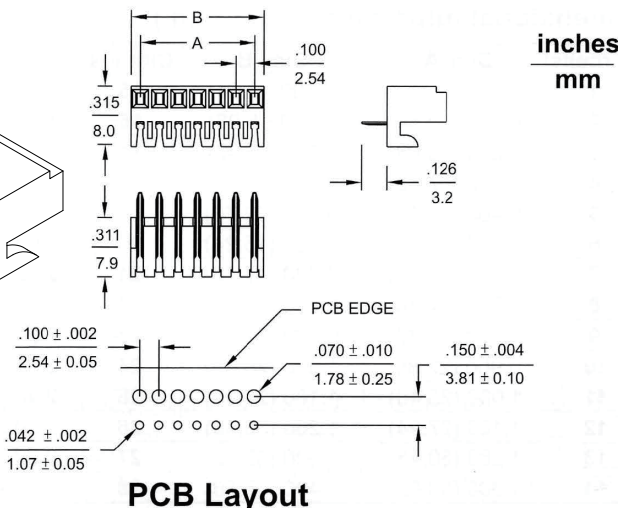
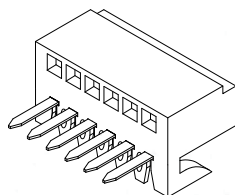
## 6506-N Series Top Entry

- 2 ~ 25 circuits available
- Contact material: Tin-plated phosphor bronze
- Plastic material: UL 94V-0 nylon 66



## 6507-N Series Bottom Entry

- 2 ~ 25 circuits available
- Contact material: Tin-plated phosphor bronze
- Plastic material: UL 94V-0 nylon 66



### Dimensional Information ( mm ) 6505/6506/6507

Circuits	Dim. A	Dim. B
N	2.54 x ( N - 1 )	2.54 x N - 0.1

&& N = 2 ~ 25



# .100" (2.54mm) Center Crimp Terminal Housings

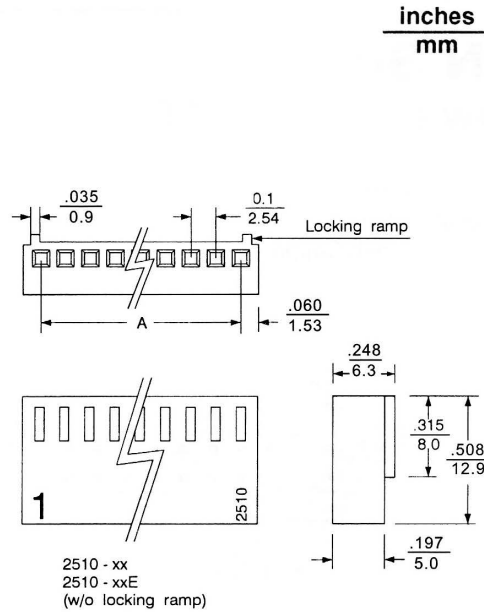
## 2510 -N Series Polarizing Housing

- 2 ~ 20 circuits available
- UL 94V-0 or 94V-2 nylon 66
- Molded friction lock
- Optional polarization or locking ramp version
- Accept Alex 51T series terminal
- Mate with Alex 2512, 2513, 2513-NL series headers
- UL File No. : E114003

### Ordering Information

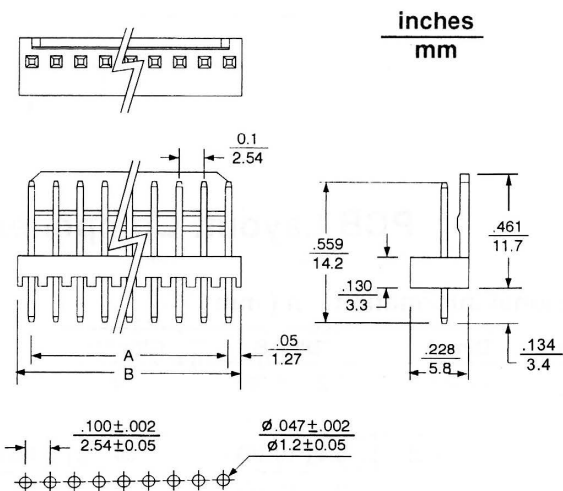
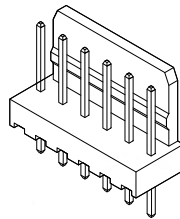
Part No.	Material	Feature
2510-xxV0	UL 94V-0	With locking ramp
2510-xxEV0		Without locking ramp
2510-xxV2	UL 94V-2	With locking ramp
2510-xxEV2		Without locking ramp

Replace "xx" with number of circuits, 02-20



## 2512 -N Series Straight Pin Friction Lock Header

- 2 ~ 20 circuits available
- .025" (0.64mm) straight square wire pins
- Friction lock
- Various pin lengths available
- Mate with Alex 2510 series housing
- Tin plated brass pins. Plating options available
- UL File No. : E114003



### Ordering Information

Part No.	Material
2512-xxV0	UL 94V-0
2512-xxV2	UL 94V-2

### Dimensional Information - in (mm) 2510/2512

Circuits	Dim. A	Dim. B	Circuits	Dim. A	Dim. B	Circuits	Dim. A	Dim. B
2	0.100 ( 2.54)	0.200 ( 5.08)	9	0.800 (20.32)	0.900 (22.86)	16	1.500 (38.10)	1.600 (40.64)
3	0.200 ( 5.08)	0.300 ( 7.62)	10	0.900 (22.86)	1.000 (25.40)	17	1.600 (40.64)	1.700 (43.18)
4	0.300 ( 7.62)	0.400 (10.16)	11	1.000 (25.40)	1.100 (27.94)	18	1.700 (43.18)	1.800 (45.72)
5	0.400 (10.16)	0.500 (12.70)	12	1.100 (27.94)	1.200 (30.48)	19	1.800 (45.72)	1.900 (48.26)
6	0.500 (12.70)	0.600 (15.24)	13	1.200 (30.48)	1.300 (33.02)	20	1.900 (48.26)	2.000 (50.80)
7	0.600 (15.24)	0.700 (17.78)	14	1.300 (33.02)	1.400 (35.56)			
8	0.700 (17.78)	0.800 (20.32)	15	1.400 (35.56)	1.500 (38.10)			

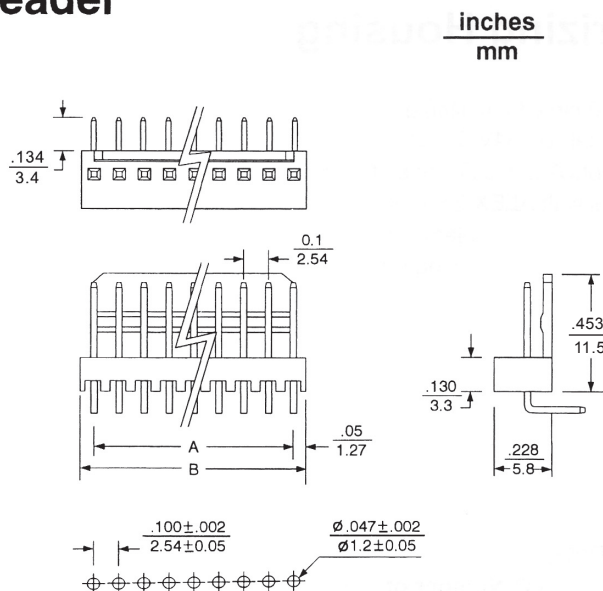


# .100" (2.54mm) Center Headers

## 2513-N Series

### Right Angle Pin Friction Lock Header

- 2 ~ 20 circuits available
- .025" (0.64mm) right angle square wire pins
- Friction lock
- Various pin lengths available
- Mate with Alex 2510 series housing
- Tin plated brass pins. Plating options available
- UL File No. : E114003



P.C. Board Hole Dimensions

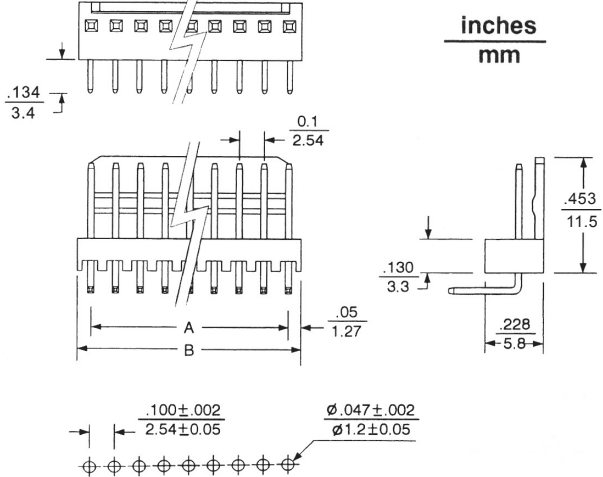
#### Ordering Information

Part No.	Material
2513-xxV0	UL 94V-0
2513-xxV2	UL 94V-2

## 2513-NL Series

### Right Angle Pin Friction Lock Header

- 2 ~ 20 circuits available
- .025" (0.64mm) right angle square wire pins
- Friction lock
- Various pin lengths available
- Mate with Alex 2510 series housing
- Tin plated brass pins. Plating options available
- UL File No. : E114003



P.C. Board Hole Dimensions

#### Ordering Information

Part No.	Material
2513-xxLV0	UL 94V-0
2513-xxLV2	UL 94V-2

#### Dimensional Information - in (mm) 2513-N / 2513-NL

Circuits	Dim. A	Dim. B	Circuits	Dim. A	Dim. B	Circuits	Dim. A	Dim. B
2	0.100 ( 2.54)	0.200 ( 5.08)	9	0.800 (20.32)	0.900 (22.86)	16	1.500 (38.10)	1.600 (40.64)
3	0.200 ( 5.08)	0.300 ( 7.62)	10	0.900 (22.86)	1.000 (25.40)	17	1.600 (40.64)	1.700 (43.18)
4	0.300 ( 7.62)	0.400 (10.16)	11	1.000 (25.40)	1.100 (27.94)	18	1.700 (43.18)	1.800 (45.72)
5	0.400 (10.16)	0.500 (12.70)	12	1.100 (27.94)	1.200 (30.48)	19	1.800 (45.72)	1.900 (48.26)
6	0.500 (12.70)	0.600 (15.24)	13	1.200 (30.48)	1.300 (33.02)	20	1.900 (48.26)	2.000 (50.80)
7	0.600 (15.24)	0.700 (17.78)	14	1.300 (33.02)	1.400 (35.56)			
8	0.700 (17.78)	0.800 (20.32)	15	1.400 (35.56)	1.500 (38.10)			

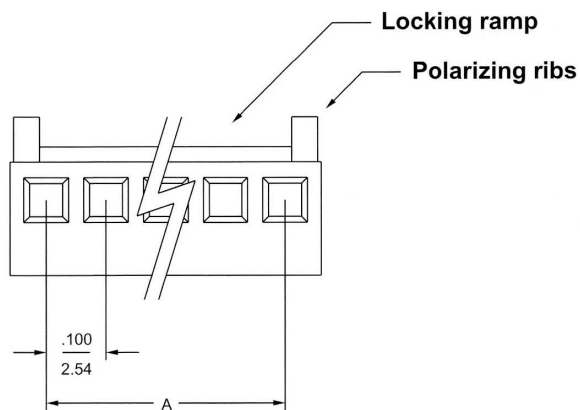


# .100"(2.54mm) Center Crimp Terminal Housing

## 2510-xxZ Series Polarizing Housing

inches  
mm

- 2 ~ 20 circuits available
- Material: UL 94V-0 nylon 66
- Accepts ALEX 51T series terminal
- Mates with ALEX 2514-N, 2515-xx-K series headers
- With or without polarizing ribs
- With or without locking ramp
- UL file No. : E114003

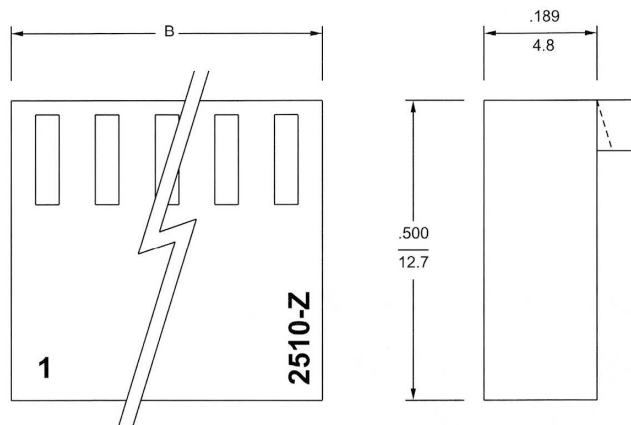


**Note:**

xx: Number of circuits, 02 ~ 20

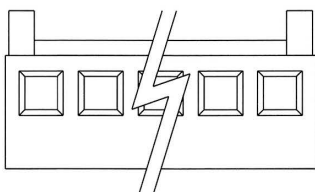
N: Color

N	Color
1	Brown
9	White



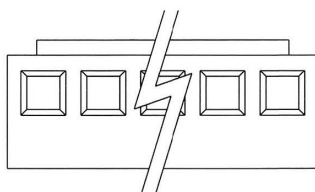
### 2510-xxZ-N Series

(With Polarizing ribs and Locking ramp)



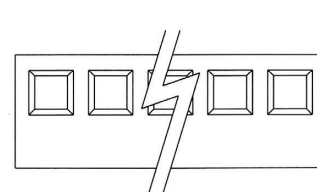
### 2510-xxZ-LR-N Series

(With Locking ramp)



### 2510-xxZ-E-N Series

(With Locking ramp)



### Dimensional Information - in ( mm )

Circuits	Dim. A	Dim. B	Circuits	Dim. A	Dim. B	Circuits	Dim. A	Dim. B
2	0.100 ( 2.54)	0.220 ( 5.60)	9	0.800 (20.32)	0.920 (23.38)	16	1.500 (38.10)	1.620 (41.16)
3	0.200 ( 5.08)	0.320 ( 8.14)	10	0.900 (22.86)	1.020 (25.92)	17	1.600 (40.64)	1.720 (43.70)
4	0.300 ( 7.62)	0.420 (10.68)	11	1.000 (25.40)	1.120 (28.46)	18	1.700 (43.18)	1.820 (46.24)
5	0.400 (10.16)	0.520 (13.22)	12	1.100 (27.94)	1.220 (31.00)	19	1.800 (45.72)	1.920 (48.78)
6	0.500 (12.70)	0.620 (15.76)	13	1.200 (30.48)	1.320 (33.54)	20	1.900 (48.26)	2.020 (51.32)
7	0.600 (15.24)	0.720 (18.30)	14	1.300 (33.02)	1.420 (36.08)			
8	0.700 (17.78)	0.820 (20.84)	15	1.400 (35.56)	1.520 (38.62)			



# .100"(2.54mm) Center Headers

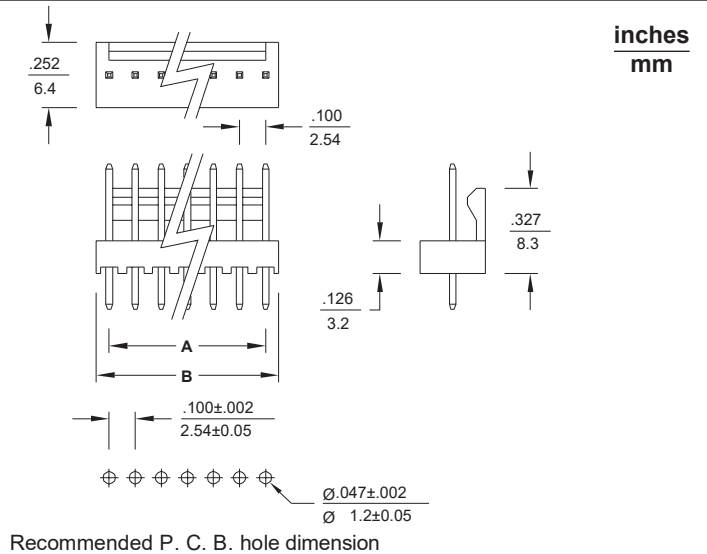
## 2514-N Series Vertical Header

- 2 ~ 20 circuits available
- Material: UL 94V-0 nylon 66
- Tin-plated brass pin
- .025"(0.64mm) square pin
- Mates with ALEX 2510-xxZ housing
- Color: Brown
- UL file No.: E114003

### Dimensional Information ( mm )

Circuits	Dim. A	Dim. B
N	2.54 x ( N - 1 )	2.54 x N

&& N = 2 ~ 20



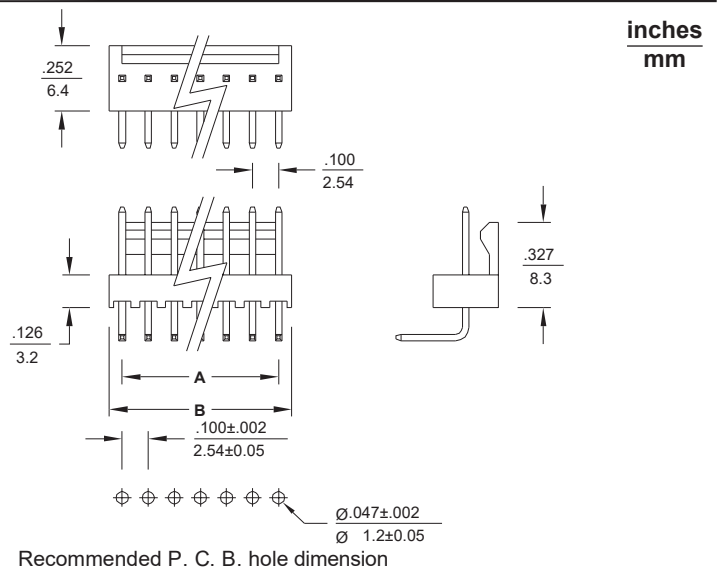
## 2515-xx-K Series Right Angle Header

- 2 ~ 20 circuits available
- Material: UL 94V-0 nylon 66
- Tin-plated brass pin
- .025"(0.64mm) square pin
- Mates with ALEX 2510-xxZ housing
- Color: Brown
- UL file No.: E114003

### Dimensional Information ( mm )

Circuits	Dim. A	Dim. B
N	2.54 x ( N - 1 )	2.54 x N

&& N = 2 ~ 20



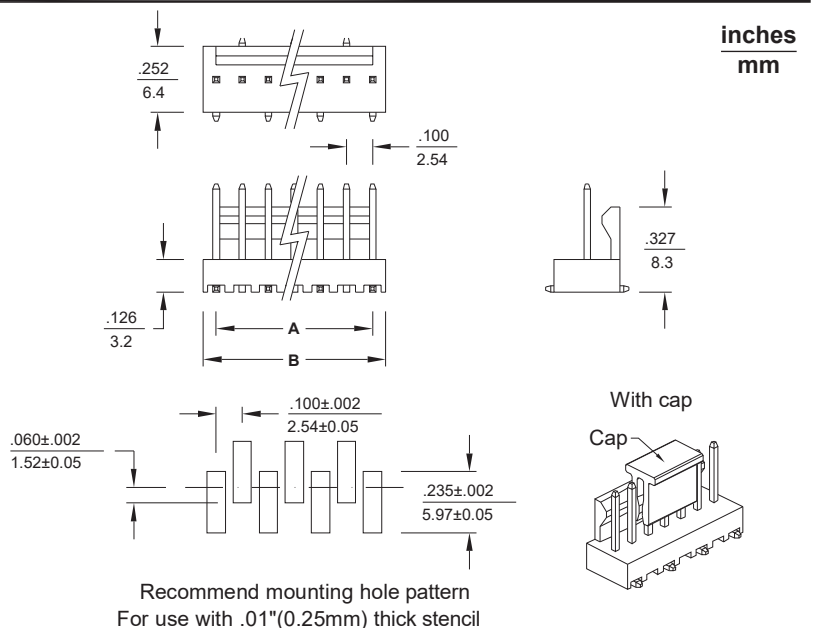
## 2514-xxSM Series Vertical Header, SMT

- 2 ~ 12 circuits available
- Material: UL 94V-0 nylon 46
- Tin-plated brass pin
- .025"(0.64mm) square pin
- Mates with ALEX 2510-xxZ housing
- Color: Nature

### Dimensional Information ( mm )

Circuits	Dim. A	Dim. B
N	2.54 x ( N - 1 )	2.54 x N

&& N = 2 ~ 12





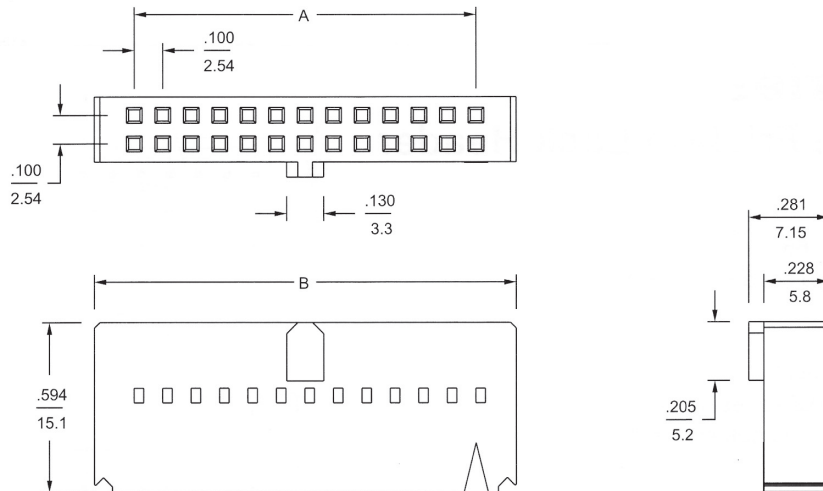
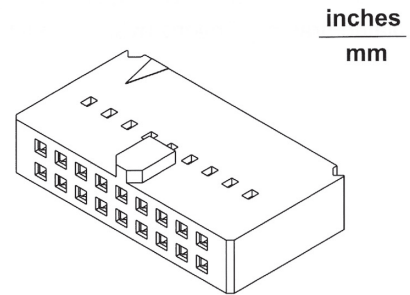
# .100"(2.54mm) Crimp Terminal Housing

## Specifications:

- Current rating: 3A DC
- Voltage rating: 250V AC, DC
- Insulation resistance: 1000MΩ Min.
- Dielectric withstanding voltage: 800V AC/minute
- Ambient temperature range: -25 °C ~ 85 °C (including temperature rise)
- UL file No. : E114003

## 4802-N Series Crimp Terminal Housing

- 4 ~ 80 circuits available
- Material: P.B.T. UL 94V-0
- Accepts ALEX 9558T terminal
- Mates with ALEX 4800-xx-2, 4801-xx-2, 4700-N, 4701-N, 4702-N headers



### Dimensional Information - in ( mm )

Circuits	Dim. A	Dim. B	Circuits	Dim. A	Dim. B	Circuits	Dim. A	Dim. B
4	0.100 ( 2.54)	0.381 ( 9.68)	30	1.400 (35.56)	1.681 (42.70)	56	2.700 (68.58)	2.981 (75.72)
6	0.200 ( 5.08)	0.481 (12.22)	32	1.500 (38.10)	1.781 (45.24)	58	2.800 (71.12)	3.081 (78.26)
8	0.300 ( 7.62)	0.581 (14.76)	34	1.600 (40.64)	1.881 (47.78)	60	2.900 (73.66)	3.181 (80.80)
10	0.400 (10.16)	0.681 (17.30)	36	1.700 (43.18)	1.981 (50.32)	62	3.000 (76.20)	3.281 (83.34)
12	0.500 (12.70)	0.781 (19.84)	38	1.800 (45.72)	2.081 (52.86)	64	3.100 (78.74)	3.381 (85.88)
14	0.600 (15.24)	0.881 (22.38)	40	1.900 (48.26)	2.181 (55.40)	66	3.200 (81.28)	3.481 (88.42)
16	0.700 (17.78)	0.981 (24.92)	42	2.000 (50.80)	2.281 (57.94)	68	3.300 (83.82)	3.581 (90.96)
18	0.800 (20.32)	1.081 (27.46)	44	2.100 (53.34)	2.381 (60.48)	70	3.400 (86.36)	3.681 (93.50)
20	0.900 (22.86)	1.181 (30.00)	46	2.200 (55.88)	2.481 (63.02)	72	3.500 (88.90)	3.781 (96.04)
22	1.000 (25.40)	1.281 (32.54)	48	2.300 (58.42)	2.581 (65.56)	74	3.600 (91.44)	3.881 (98.58)
24	1.100 (27.94)	1.381 (35.08)	50	2.400 (60.96)	2.681 (68.10)	76	3.700 (93.98)	3.981 (101.12)
26	1.200 (30.48)	1.481 (37.62)	52	2.500 (63.50)	2.781 (70.64)	78	3.800 (96.52)	4.081 (103.66)
28	1.300 (33.02)	1.581 (40.16)	54	2.600 (66.04)	2.881 (73.18)	80	3.900 (99.06)	4.181 (106.20)

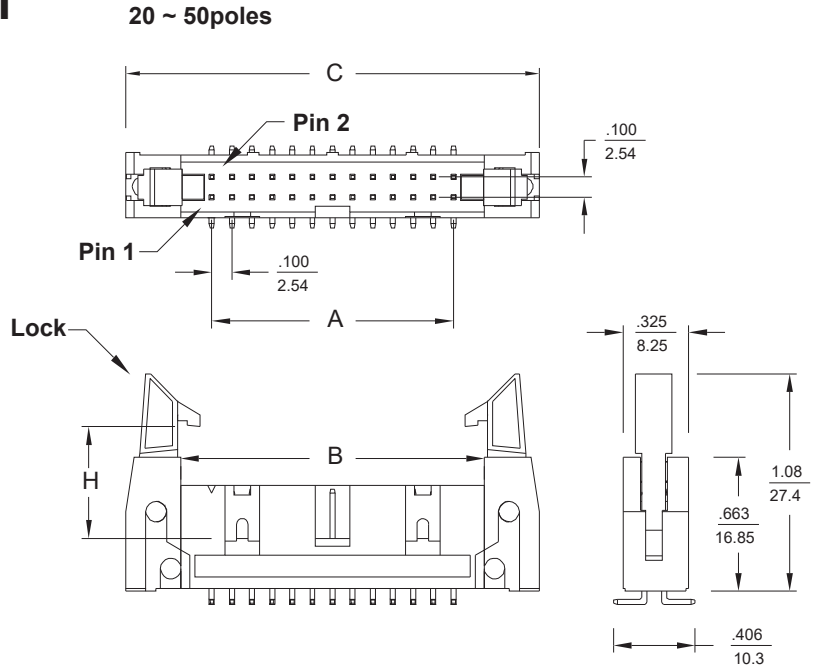
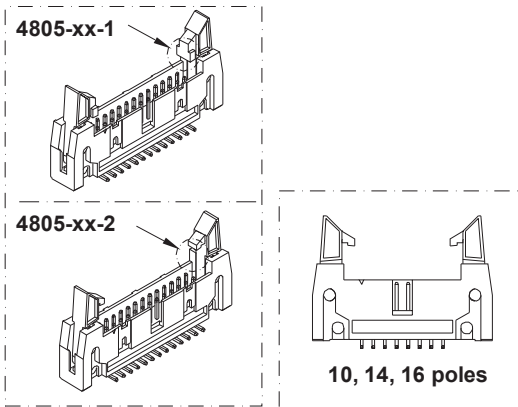


# .100"(2.54mm) Vertical Box Header

## 4805-xx Vertical Box Header, SMT

inches  
mm

- 10 ~ 50 circuits available
- Material: Nylon 6T, UL 94V-0
- Gold-plated brass pin
- .025"(0.64mm) square pin
- Color: Black



### Ordering Information - in ( mm )

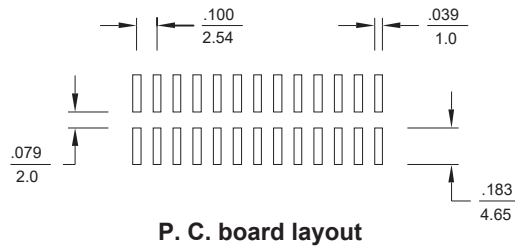
Part No.	Dim. H	Features
4805-xx		Without Lock
4805-xx-1	0.427 (10.85)	With Lock
4805-xx-2	0.555 (14.10)	

&& xx = 10, 14, 16, 20, 24 ,26, 30, 34, 40, 50

### Dimensional Information ( mm )

Circuits	Dim. A	Dim. B	Dim. C
N	1.27 x ( N - 2 )	1.27 x N + 5.3	1.27 x N + 19.2

&& N = 10, 14, 16, 20, 24 ,26, 30, 34, 40, 50



## 4807-N Series Latch Header IDC Type

inches  
mm

- 10 ~ 64 circuits available
- Insulator material: PBT
- Contact material: Brass
- Finished: Gold-flash
- Wire range: #28 AWG ( Flexible flat cable )
- Mates with ALEX 4802-N housing
- Color: Black
- Packing: Tray

### Ordering & Dimensional Information - in ( mm )

Part No.	Dim. H1	Dim. H2	Lock	Flange
4807-xx			None	None
4807-xx-1	0.437 (11.1)	1.170 (29.7)	Yes	
4807-xx-2	0.563 (14.3)	1.180 (29.9)	Yes	Yes
4807-xxF			None	
4807-xxF-1	0.437 (11.1)	1.170 (29.7)	Yes	
4807-xxF-2	0.563 (14.3)	1.180 (29.9)		

&& xx = 10, 12, 14, 16, 20, 24 ,26, 30, 34, 40, 50, 60, 64

### Dimensional Information ( mm )

Circuits	Dim. A	Dim. B	Dim. C	Dim. D	Dim. E
N	1.27 x ( N - 2 )	1.27 x N + 19.1	1.27 x N + 6.2	1.27 x N + 7.9	1.27 x N + 15
F	N = 10, 12, 14, 16: None				
	N = 20, 24 ,26, 30, 34, 40, 50, 60, 64: Yes				

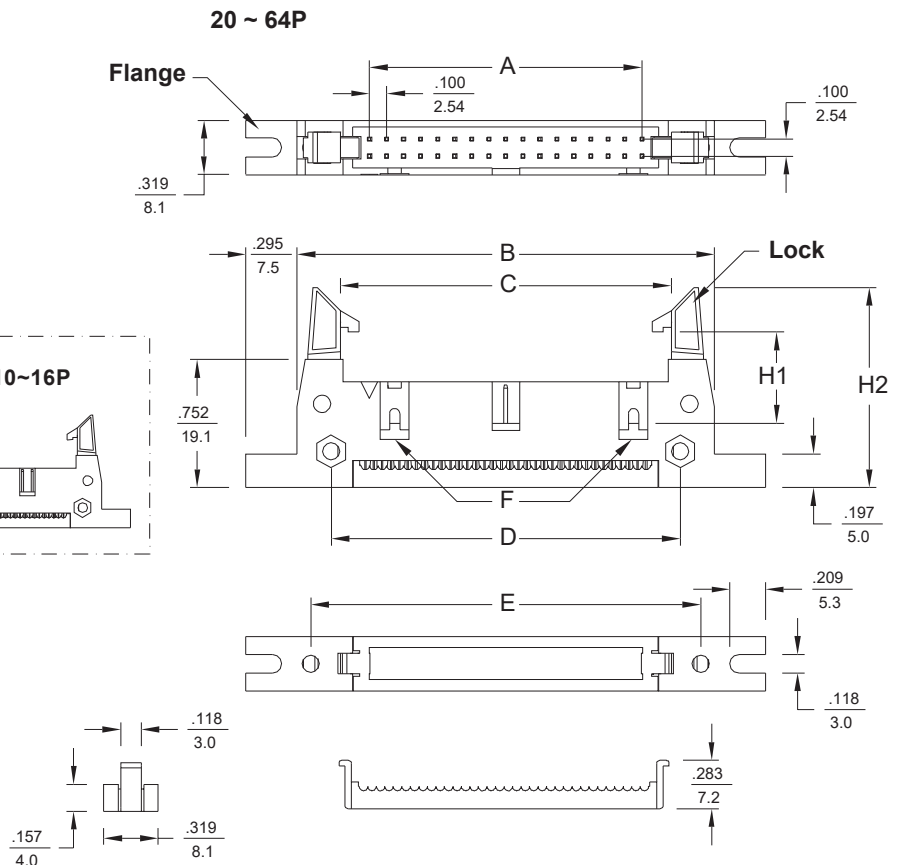
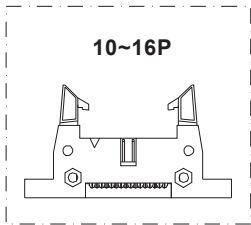
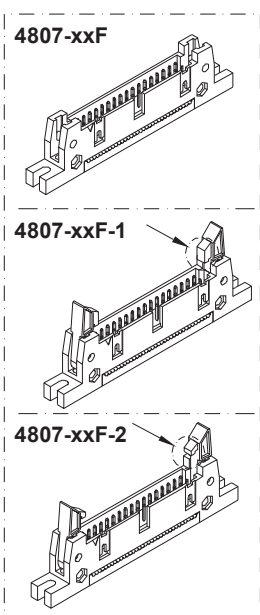
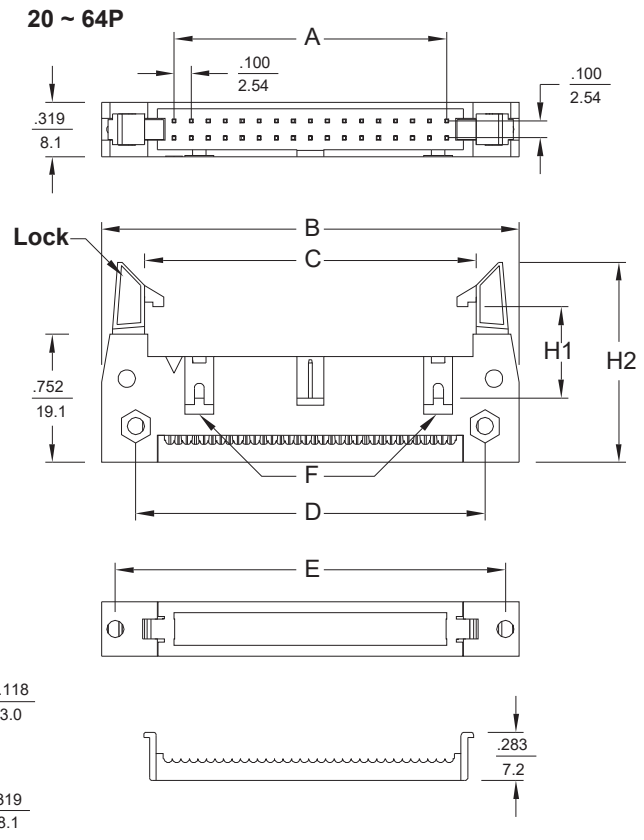
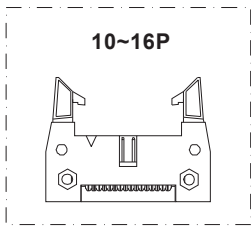
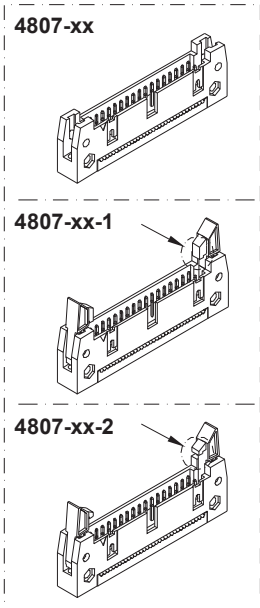
Continued on next page



# .100"(2.54mm) Vertical Box Header

## 4807-N Series Latch Header IDC Type

inches  
mm





# .100"(2.54mm) IDC Socket

## Specifications:

- Current rating: 1 A DC
- Voltage rating: 250V AC, DC
- Contact resistance: 30mΩ Max.
- Insulation resistance: 3000 MΩ Min.
- Dielectric withstanding voltage: 500V AC/minute
- Ambient temperature range: -40 °C ~ 105 °C (including temperature rise)
- UL file No. : E114003

## 9663-xx Series IDC Socket

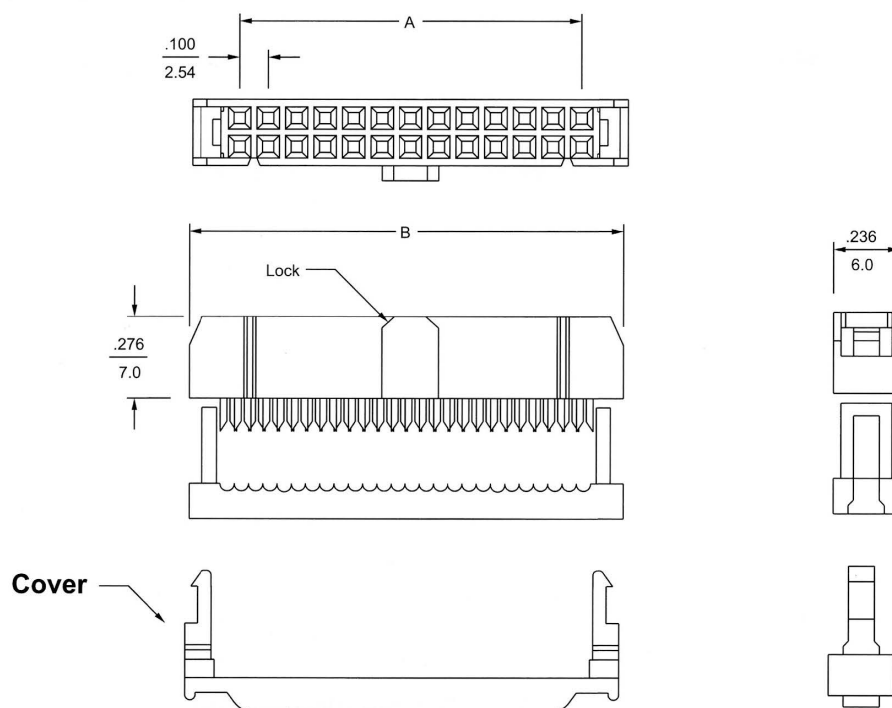
- 6 ~ 64 circuits available
- Material: PBT Polyester, UL 94V-0
- Pin material : Brass
- Finished: Gold-flash in contact area, other : nickel plated
- Accepts #26 ~ #28 AWG flat ribbon cable
- Mates with ALEX 4700-N,4701-N,4702-N headers

inches  
mm

### Ordering Information

Part No.	Feature
<b>9663-xx</b>	Without lock and without cover
<b>9663-xxL</b>	With lock but without cover
<b>9663-xxC</b>	Without lock but with cover
<b>9663-xxLC</b>	With lock and with cover

&& xx = 6 ~ 64



### Dimensional Information - in ( mm )

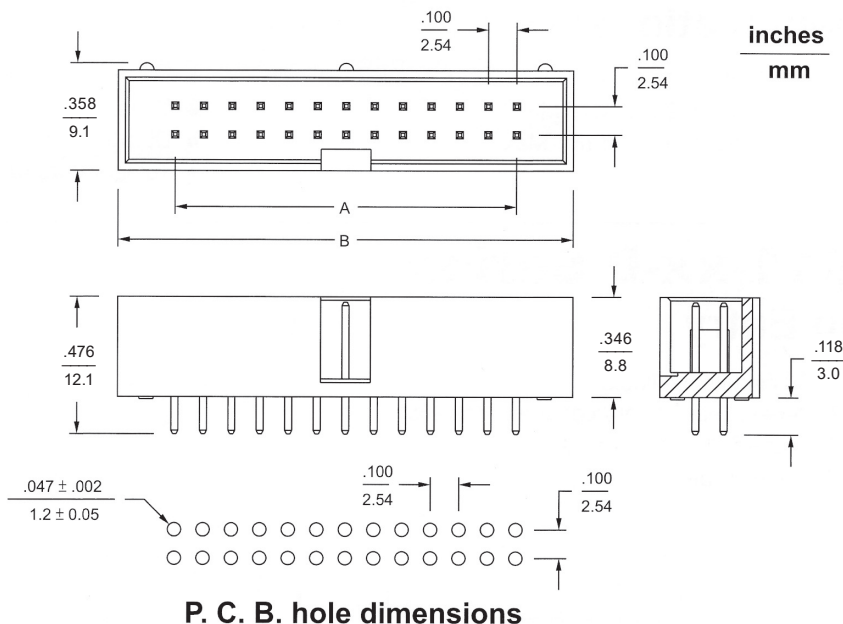
Circuits	Dim. A	Dim. B	Circuits	Dim. A	Dim. B	Circuits	Dim. A	Dim. B
<b>6</b>	0.20 ( 5.08)	0.480 (12.18)	<b>16</b>	0.70 (17.78)	0.987 (25.08)	<b>34</b>	1.60 (40.64)	1.883 (47.84)
<b>8</b>	0.30 ( 7.62)	0.580 (14.72)	<b>20</b>	0.90 (22.86)	1.189 (30.20)	<b>40</b>	1.90 (48.26)	2.188 (55.58)
<b>10</b>	0.40 (10.16)	0.685 (17.40)	<b>24</b>	1.10 (27.94)	1.380 (35.04)	<b>50</b>	2.40 (60.96)	2.683 (68.14)
<b>12</b>	0.50 (12.70)	0.780 (19.80)	<b>26</b>	1.20 (30.48)	1.484 (37.70)	<b>60</b>	2.90 (73.66)	3.191 (81.04)
<b>14</b>	0.60 (15.24)	0.884 (22.45)	<b>30</b>	1.40 (35.56)	1.681 (42.70)	<b>64</b>	3.10 (78.74)	3.380 (85.84)



# .100"(2.54mm) Box Header

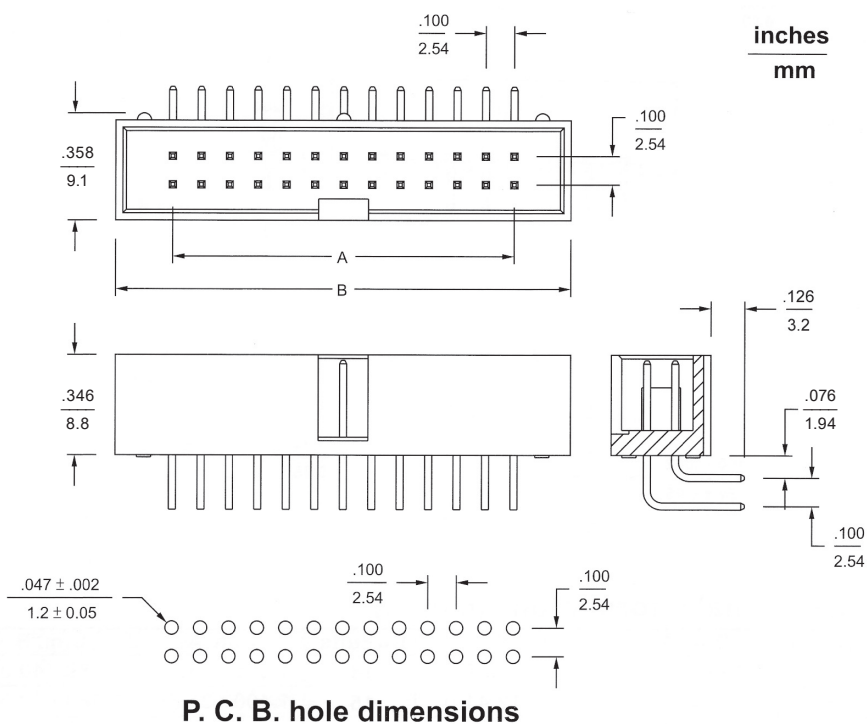
## 4700-N Series Vertical Header

- 6 ~ 64 circuits available
- Material: PBT, UL 94V-0
- .025"(0.64mm) square pins
- Gold-plated brass pin
- Mates with ALEX 9663-xx IDC socket
- Mates with ALEX 4802-N housing
- Color: Black
- Package: Tray



## 4701-N Series Right Angle Header

- 6 ~ 64 circuits available
- Material: PBT, UL 94V-0
- .025"(0.64mm) square pins
- Gold-plated brass pin
- Mates with ALEX 9663-xx IDC socket
- Mates with ALEX 4802-N housing
- Color: Black
- Package: Tray



### Dimensional Information ( mm ) 4700/4701

Circuits	Dim . A	Dim . B
N	1.27 x N - 2.54	1.27 x N + 7.5

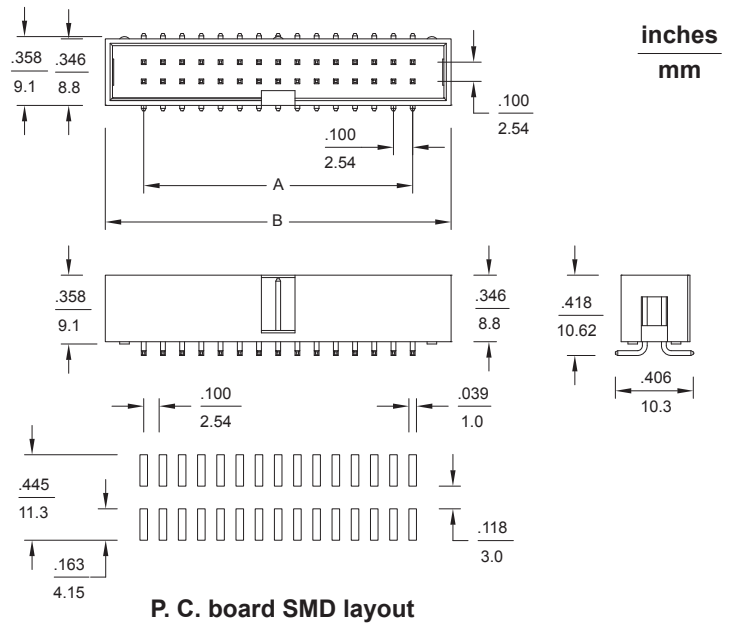
&& N = 6~20,24~26,30,34,40,44,50,60,64



# .100"(2.54mm) Dual Row Box Header, SMT

## 4702-N Series Dual Row Vertical Header, SMT

- 6 ~ 50 circuits available
- Material: Nylon 6T
- .025"(0.64mm) square pin
- Gold-plated brass pin
- Mates with ALEX 9663-xx IDC socket
- Mates with ALEX 4802-N housing
- Color: Black



### Dimensional Information ( mm )

Circuits	Dim. A	Dim. B
N	$2.54 \times ( N / 2 - 1 )$	$1.27 \times N + 7.5$

&& N = 6 ~ 50



# .100" (2.54mm) Single Row Crimp Connector System

## Specifications:

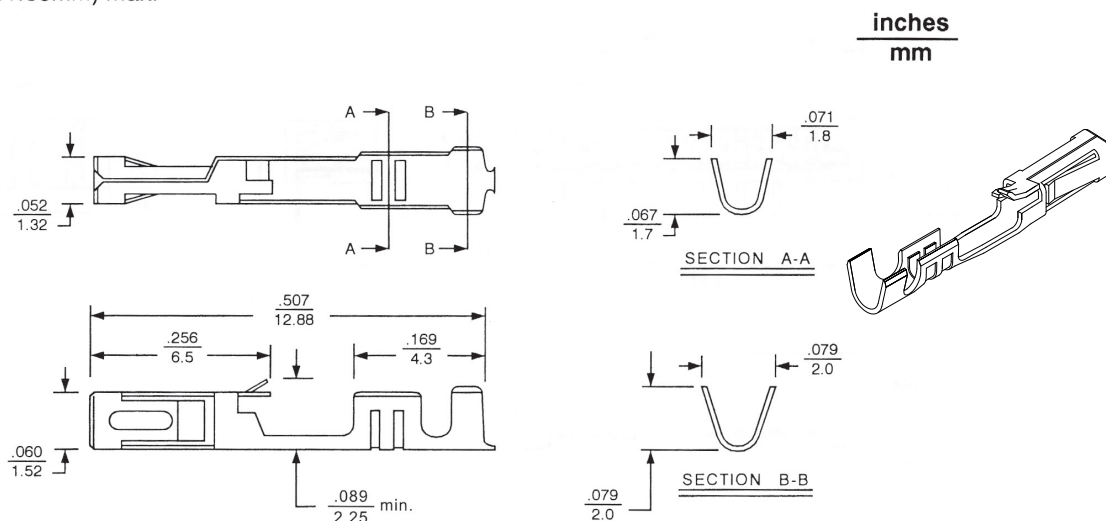
- Current Rating: 3A AC, DC
- Dielectric Withstanding Voltage: 600V (R.M.S.) AC/minute
- Contact Resistance: 15 mΩ max.
- Insulation Resistance: 10000MΩ
- Ambient Temperature Range: -40°C ~ 105°C (including temperature rise)
- UL File No.: E114003

## 9558T Series Box Female Crimp Terminal

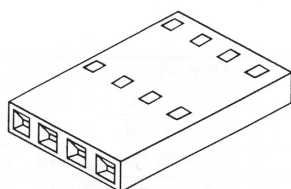
- Used in ALEX 9566-xx, 4802 housings
- Wire Range: AWG #22 ~ #24
- Finished: Tin-plated
- Material: Phosphor Bronze or Brass
- Dual beam, fully enclosed box contact with locking lance
- Insulation O.D.: .064" (φ1.63mm) max.

## Ordering Information:

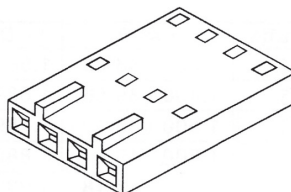
Part No.	Material	Thickness	Q'ty/Reel
9558T	Brass	0.2mm	10000PCS
9558TP	Phosphor bronze		



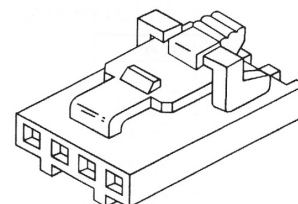
## 9566-xx Series



**"A" Version  
9566-xxA**



**"C" Version  
9566-xxC**



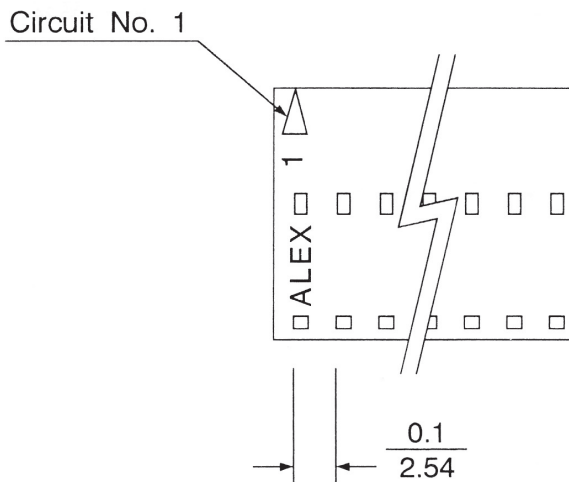
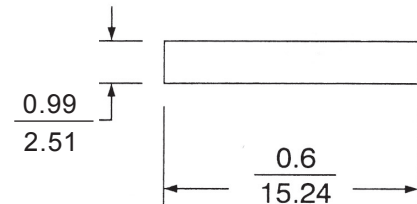
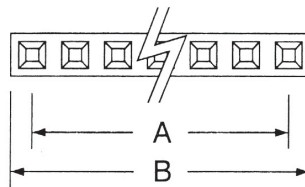
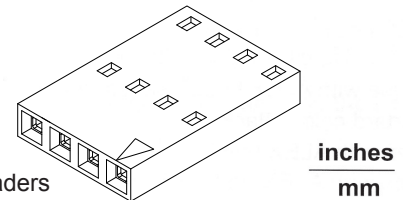
**"G" Version  
9566-xxG**



# .100" (2.54mm) Single Row Crimp Connector Housings

## 9566-xx Series "A" Version, Non-polarized

- 2 ~ 25 circuits available
- Material: UL 94V-0 nylon 66
- For use with ALEX 9558T terminal
- Standard color: Black
- Mates with ALEX 9567-xx housing
- Mates with ALEX 6502, 6503, 6504, 9543, 9553, 9543-xxP-LCP, 9553-xxP-LCP headers
- Mates with ALEX K-254-x key



### Dimensional Information - in ( mm )

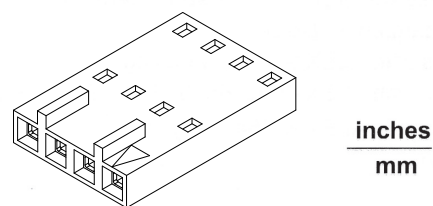
Circuits	Dim. A	Dim. B	Circuits	Dim. A	Dim. B	Circuits	Dim. A	Dim. B
2	0.100 ( 2.54)	0.199 ( 5.05)	10	0.900 (22.86)	0.999 (25.37)	18	1.700 (43.18)	1.799 (45.69)
3	0.200 ( 5.08)	0.299 ( 7.59)	11	1.000 (25.40)	1.099 (27.91)	19	1.800 (45.72)	1.899 (48.23)
4	0.300 ( 7.62)	0.399 (10.13)	12	1.100 (27.94)	1.199 (30.45)	20	1.900 (48.26)	1.999 (50.77)
5	0.400 (10.16)	0.499 (12.67)	13	1.200 (30.48)	1.299 (33.00)	21	2.000 (50.80)	2.099 (53.31)
6	0.500 (12.70)	0.599 (15.21)	14	1.300 (33.02)	1.399 (35.53)	22	2.100 (53.34)	2.199 (55.85)
7	0.600 (15.24)	0.699 (17.75)	15	1.400 (35.56)	1.499 (38.07)	23	2.200 (55.88)	2.299 (58.39)
8	0.700 (17.78)	0.799 (20.29)	16	1.500 (38.10)	1.599 (40.61)	24	2.300 (58.42)	2.399 (60.93)
9	0.800 (20.32)	0.899 (22.83)	17	1.600 (40.64)	1.699 (43.15)	25	2.400 (60.96)	2.499 (63.47)



# .100" (2.54mm) Single Row Crimp Connector Housings

## 9566-xx Series "C" Version

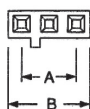
- 2 ~ 25 circuits available
- Material: UL, 94V-0 nylon 66
- For use with ALEX 9558T terminal
- Standard color: Black
- Mates with ALEX 9567-xx housing
- Mates with ALEX 9543, 9553, 9543-xxP-LCP, 9553-xxP-LCP headers
- Mates with ALEX K-254-x key



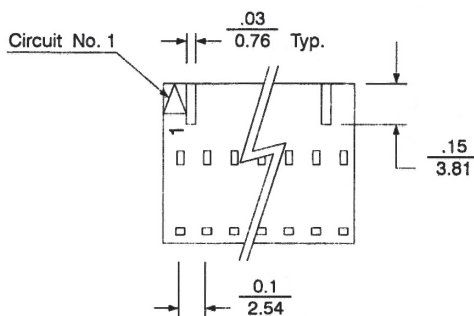
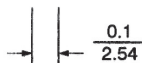
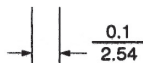
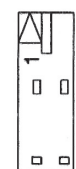
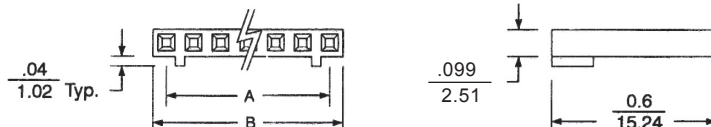
(2P)



(3P)



(4P — 12P)



### Dimensional Information - in ( mm )

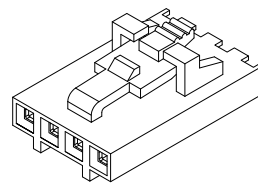
Circuits	Dim. A	Dim. B	Circuits	Dim. A	Dim. B	Circuits	Dim. A	Dim. B
2	0.100 ( 2.54)	0.199 ( 5.05)	10	0.900 (22.86)	0.999 (25.37)	18	1.700 (43.18)	1.799 (45.69)
3	0.200 ( 5.08)	0.299 ( 7.59)	11	1.000 (25.40)	1.099 (27.91)	19	1.800 (45.72)	1.899 (48.23)
4	0.300 ( 7.62)	0.399 (10.13)	12	1.100 (27.94)	1.199 (30.45)	20	1.900 (48.26)	1.999 (50.77)
5	0.400 (10.16)	0.499 (12.67)	13	1.200 (30.48)	1.299 (33.00)	21	2.000 (50.80)	2.099 (53.31)
6	0.500 (12.70)	0.599 (15.21)	14	1.300 (33.02)	1.399 (35.53)	22	2.100 (53.34)	2.199 (55.85)
7	0.600 (15.24)	0.699 (17.75)	15	1.400 (35.56)	1.499 (38.07)	23	2.200 (55.88)	2.299 (58.39)
8	0.700 (17.78)	0.799 (20.29)	16	1.500 (38.10)	1.599 (40.61)	24	2.300 (58.42)	2.399 (60.93)
9	0.800 (20.32)	0.899 (22.83)	17	1.600 (40.64)	1.699 (43.15)	25	2.400 (60.96)	2.499 (63.47)



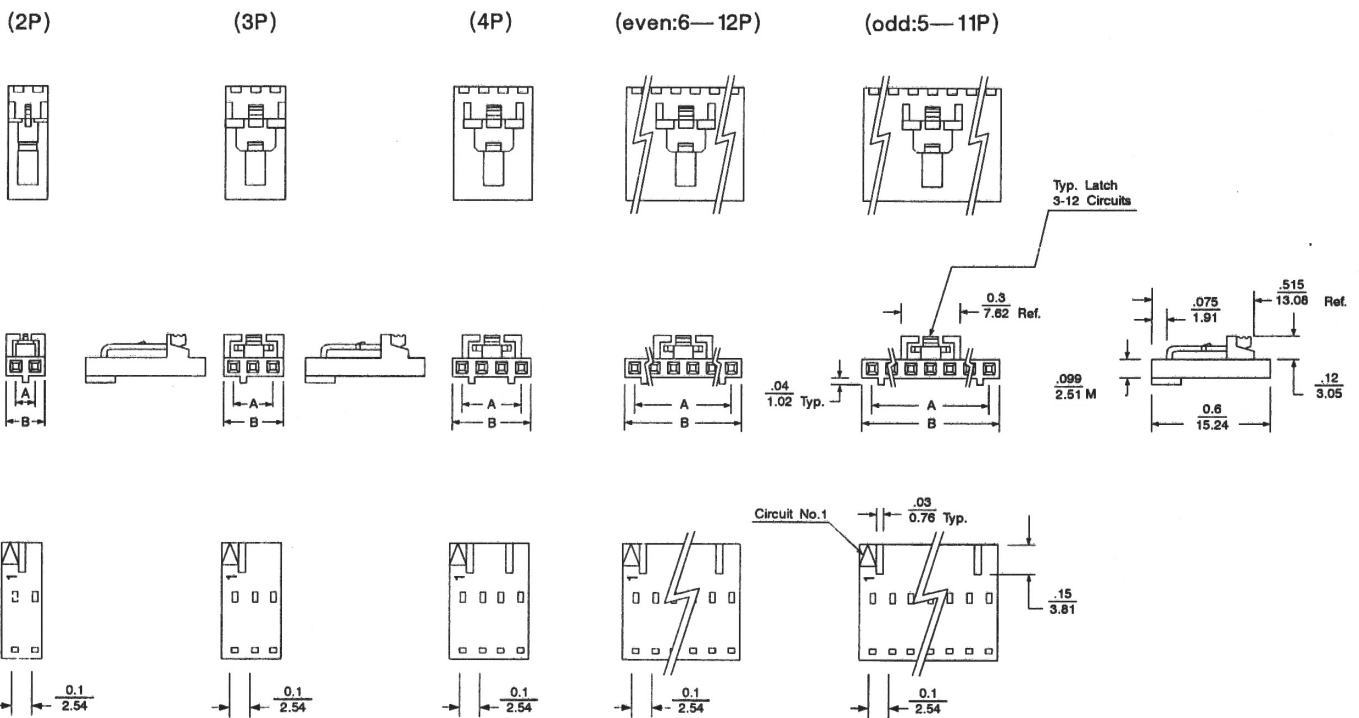
# .100" (2.54mm) Single Row Crimp Connector Housings

## 9566-xx Series "G" Version

- 2 ~ 25 circuits available
- Material: UL 94V-0 nylon 66
- For use with ALEX 9558T terminal
- Standard color: Black
- Mates with ALEX 9567-xx housing
- Mates with ALEX 9543, 9553, 9543-xxP-LCP, 9553-xxP-LCP headers
- Mates with ALEX K-254-x key
- Anti-entanglement / overstress ribs prevent discrete wires from catching under latch during harness manufacturing and storage
- Positive latch secures the housing into mating part
- Front ribs prevent contact damage when unmating the connector from a header. The housing can't be twisted off pins



inches  
mm



### Dimensional Information - in ( mm )

Circuits	Dim. A	Dim. B	Circuits	Dim. A	Dim. B	Circuits	Dim. A	Dim. B
2	0.100 ( 2.54)	0.199 ( 5.05)	10	0.900 (22.86)	0.999 (25.37)	18	1.700 (43.18)	1.799 (45.69)
3	0.200 ( 5.08)	0.299 ( 7.59)	11	1.000 (25.40)	1.099 (27.91)	19	1.800 (45.72)	1.899 (48.23)
4	0.300 ( 7.62)	0.399 (10.13)	12	1.100 (27.94)	1.199 (30.45)	20	1.900 (48.26)	1.999 (50.77)
5	0.400 (10.16)	0.499 (12.67)	13	1.200 (30.48)	1.299 (33.00)	21	2.000 (50.80)	2.099 (53.31)
6	0.500 (12.70)	0.599 (15.21)	14	1.300 (33.02)	1.399 (35.53)	22	2.100 (53.34)	2.199 (55.85)
7	0.600 (15.24)	0.699 (17.75)	15	1.400 (35.56)	1.499 (38.07)	23	2.200 (55.88)	2.299 (58.39)
8	0.700 (17.78)	0.799 (20.29)	16	1.500 (38.10)	1.599 (40.61)	24	2.300 (58.42)	2.399 (60.93)
9	0.800 (20.32)	0.899 (22.83)	17	1.600 (40.64)	1.699 (43.15)	25	2.400 (60.96)	2.499 (63.47)



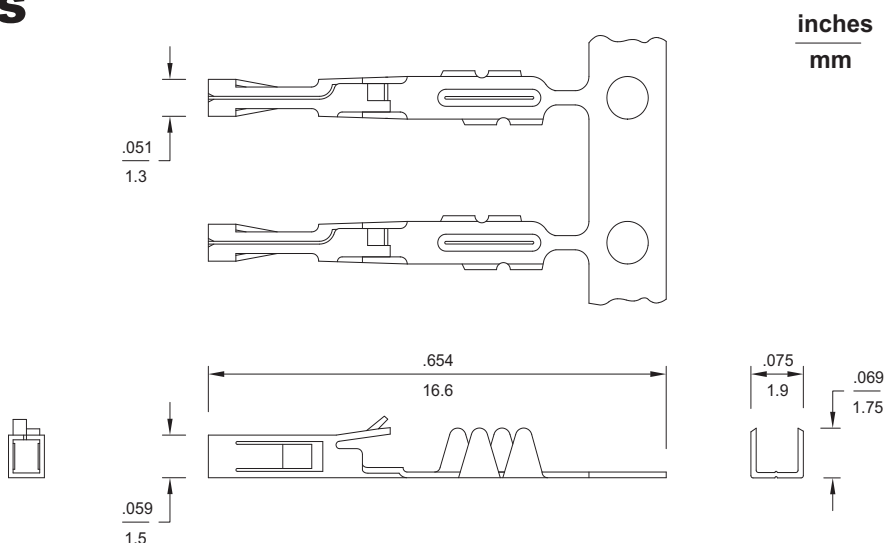
# .100"(2.54mm) Crimp Terminal Housing

## Specification

- Current rating: 3A AC, DC
- Voltage rating: 250V AC, DC
- Contact resistance: Initial value/10mΩMax.  
After environmental testing/20mΩMax.
- Insulation resistance: 1000MΩMin.
- Dielectric withstanding voltage: 1500V AC/minute
- Ambient temperature range: -40°C ~ 105°C
- Applicable wire: .100"(2.54mm) flexible flat conductor cable

## 9558TP-1 Series Crimp Terminal

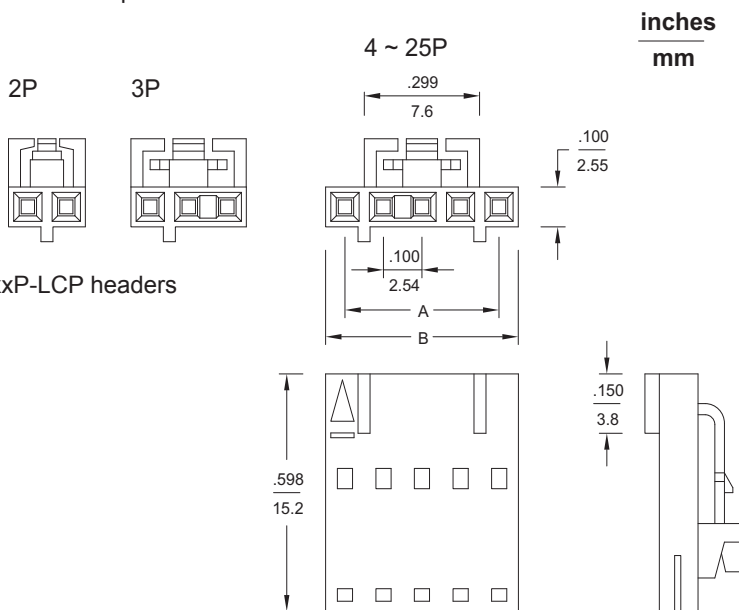
- Material: Phosphor bronze
- Finished: Tin-plated
- Used in ALEX 9566-xxx-1 housing



## 9566-xxx-1 Series Crimp Terminal Housing

- 2 ~ 25 circuits available
- Material: UL 94V-0 nylon 66 + 15%GF
- Accepts ALEX 9558TP-1
- Mates with ALEX 9543, 9553, 9543-xxP-LCP, 9553-xxP-LCP headers

Latch and polarization rib location

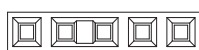


Dimensional Information ( mm )

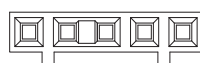
Circuits	N
Dim. A	2.54 x ( N - 1 )
Dim. B	2.54 x N

&& N = 2 ~ 25

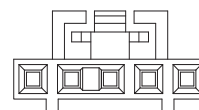
**9566-xxA-1**  
"A" Version



**9566-xxC-1**  
"C" Version



**9566-xxG-1**  
"G" Version

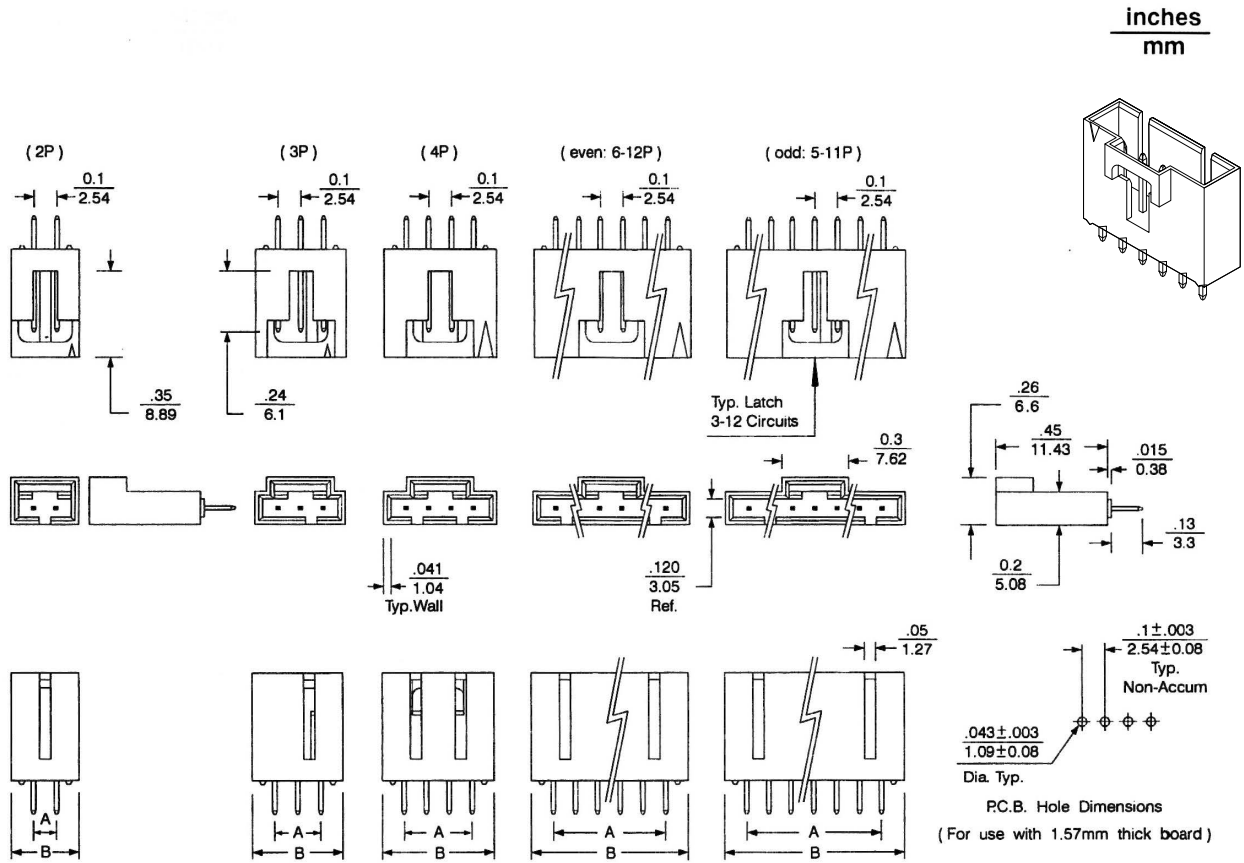




# .100" (2.54mm) Single Row Pocket Straight Header

## 9543-xx-PBT Series Straight Header

- 2 ~ 12 circuits available
- Material: PBT , UL 94V-0
- .025" (0.64mm) square wire pins (Tin-Plated brass)
- Standard Color: Black
- Mates with ALEX 9566-xx, 9566-xxx-1 housings
- Loaded in plastic tubes to allow for robotic insertion into P.C. boards
- Polarization slots
- Positive latch retains connector after mating
- Standoffs minimize flux retention



### Dimensional Information - in. (mm)

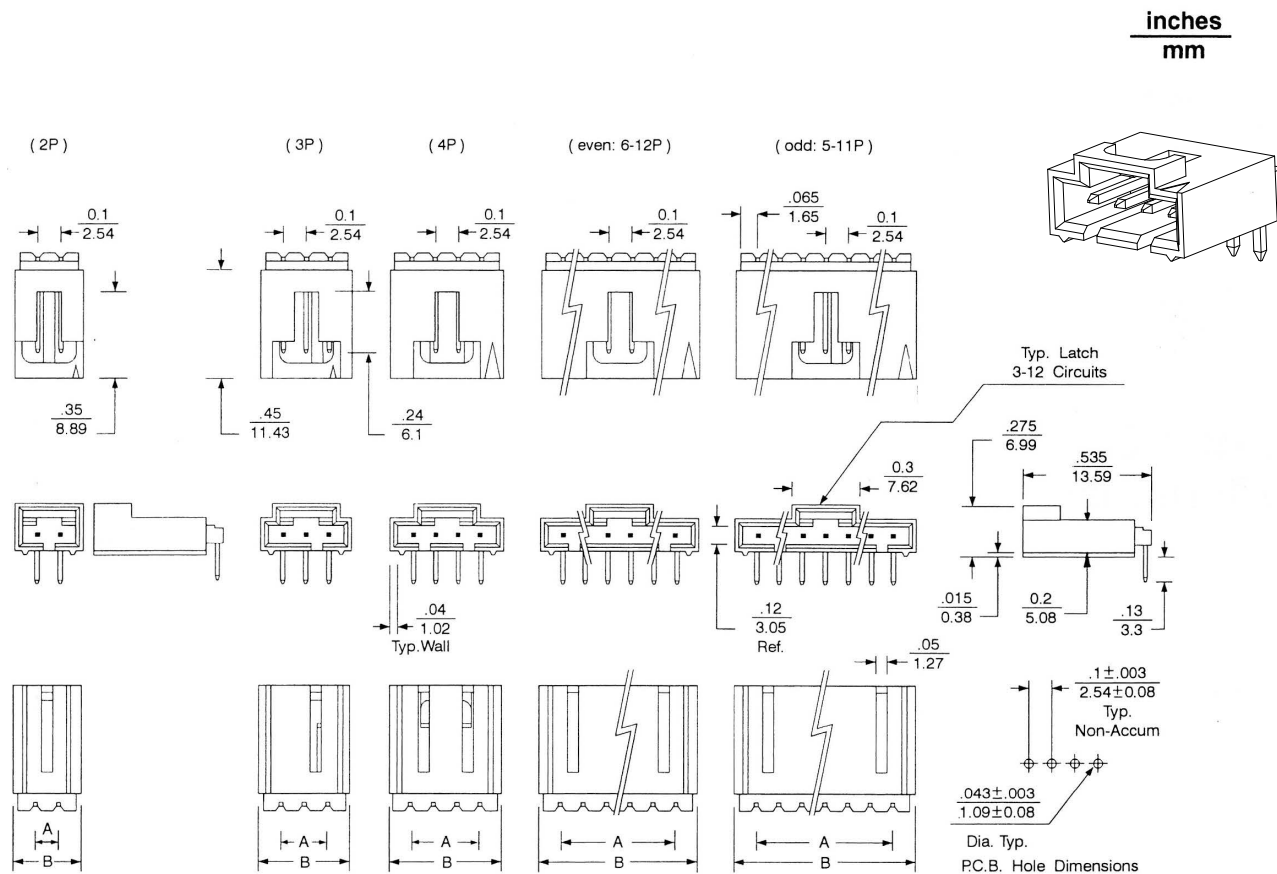
Circuits	Dim. A	Dim. B	Circuits	Dim. A	Dim. B
2	.100 ( 2.54)	.300 ( 7.62)	8	.700 (17.78)	.900 (22.86)
3	.200 ( 5.08)	.400 (10.16)	9	.800 (20.32)	1.000 (25.40)
4	.300 ( 7.62)	.500 (12.70)	10	.900 (22.86)	1.100 (27.94)
5	.400 (10.16)	.600 (15.24)	11	1.000 (25.40)	1.200 (30.48)
6	.500 (12.70)	.700 (17.78)	12	1.100 (27.94)	1.300 (33.02)
7	.600 (15.24)	.800 (20.32)			



# .100" (2.54mm) Pocket Low Profile Right Angle Header

## 9553-xx-PBT Series Right Angle Header

- 2 ~ 12 circuits available
- Material: PBT , UL 94V-0
- .025" (0.64mm) square wire pins (Tin-Plated brass)
- Standard Color: Black
- Mates with ALEX 9566-xx, 9566-xxx-1 housings
- Loaded in plastic tubes to allow for robotic insertion into P.C. boards
- Polarization slots
- Positive latch retains connector after mating
- Standoffs minimize flux retention



### Dimensional Information - in. (mm)

Circuits	Dim. A	Dim. B	Circuits	Dim. A	Dim. B
2	.100 ( 2.54)	.300 ( 7.62)	8	.700 (17.78)	.900 (22.86)
3	.200 ( 5.08)	.400 (10.16)	9	.800 (20.32)	1.000 (25.40)
4	.300 ( 7.62)	.500 (12.70)	10	.900 (22.86)	1.100 (27.94)
5	.400 (10.16)	.600 (15.24)	11	1.000 (25.40)	1.200 (30.48)
6	.500 (12.70)	.700 (17.78)	12	1.100 (27.94)	1.300 (33.02)
7	.600 (15.24)	.800 (20.32)			



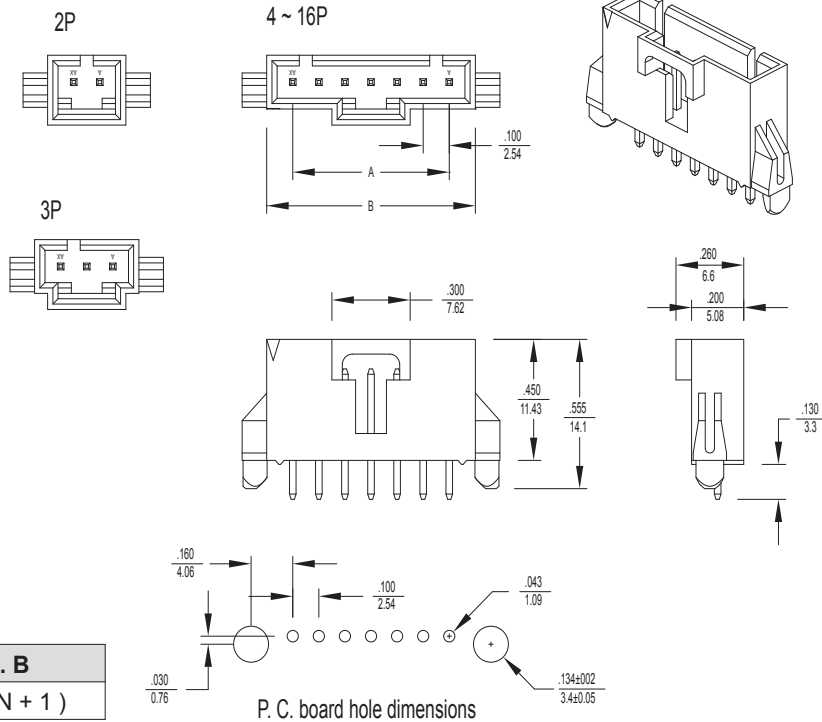
# .100"(2.54mm) Vertical / Right Angle Header

## 9543-xxP-LCP Series

### Vertical Header

inches  
mm

- 2 ~ 16 circuits available
- Material: LCP
- Tin-plated brass pin
- .025"(0.64mm) square pin
- Mates with ALEX 9566-xx housing



#### Dimensional Information ( mm )

Circuits	Dim. A	Dim. B
N	2.54 x ( N - 1 )	2.54 x ( N + 1 )

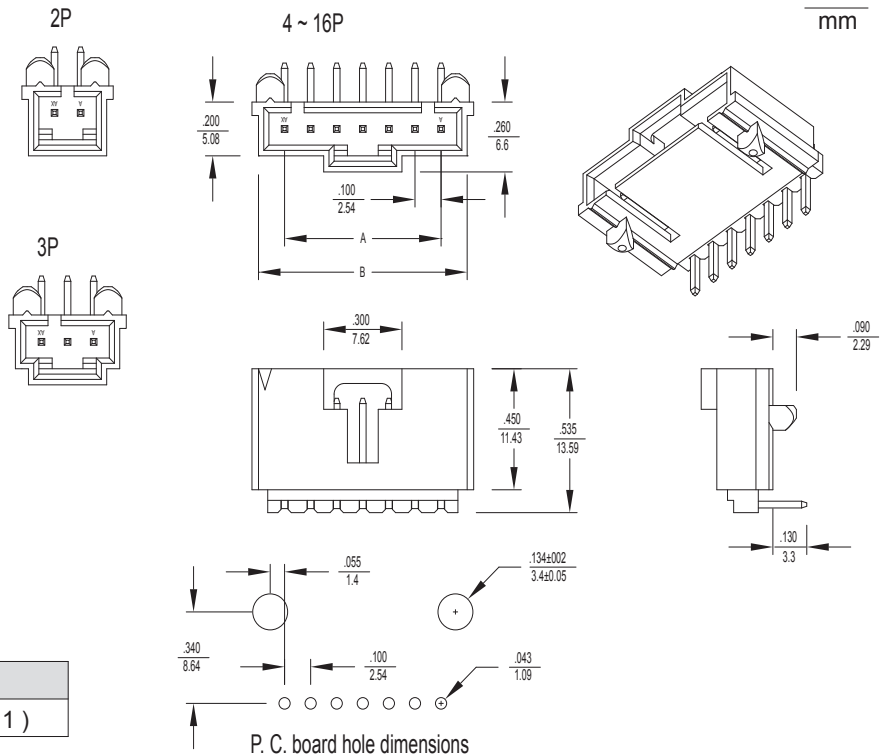
&& N = 2 ~ 16

## 9553-xxP-LCP Series

### Right Angle Header

inches  
mm

- 2 ~ 16 circuits available
- Material: LCP
- Tin-plated brass pin
- .025"(0.64mm) square pin
- Mates with ALEX 9566-xx housing



#### Dimensional Information ( mm )

Circuits	Dim. A	Dim. B
N	2.54 x ( N - 1 )	2.54 x ( N + 1 )

&& N = 2 ~ 16



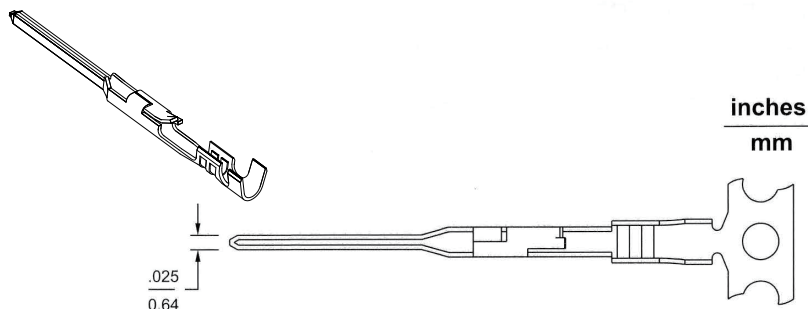
# .100"(2.54mm) Wire-to-Wire Connector

## Specifications:

- Current rating: 3A
- Voltage rating: 250V AC, DC
- Dielectric withstanding voltage: 800V AC/minute
- Insulation resistance: 1000MΩ Min.
- Contact resistance: 15mΩ Max.
- Ambient temperature range: -25 °C ~ 85 °C (including temperature rise)
- UL file No. : E114003

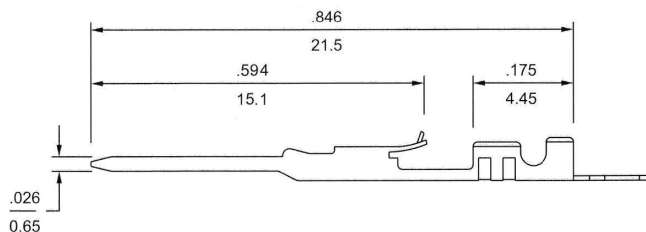
## 9559T Series Male Crimp Terminal

- Used in ALEX 9567-xx housing
- Wire range: #22 ~ #30 AWG
- Thickness: 0.2mm



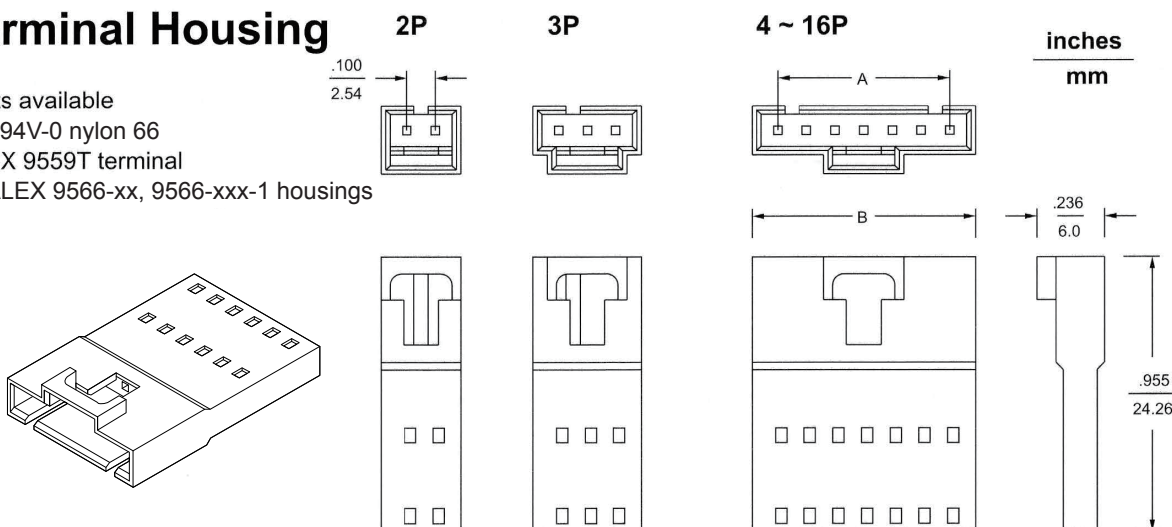
## Ordering Information

Part No.	Material	Finished
9559T	Brass	Tin-plated
9559TP	Phosphor bronze	
9559T-xGC	Brass	Contact area: Gold-flash over nickel
9559TP-xGC	Phosphor bronze	Other: Nickel-plated



## 9567-xx-V0 Series Crimp Terminal Housing

- 2 ~ 16 circuits available
- Material: UL 94V-0 nylon 66
- Accepts ALEX 9559T terminal
- Mates with ALEX 9566-xx, 9566-xxx-1 housings
- Color: Black



## Dimensional Information - in ( mm )

Circuits	Dim. A	Dim. B	Circuits	Dim. A	Dim. B	Circuits	Dim. A	Dim. B
2	0.100 ( 2.54)	0.280 ( 7.12)	7	0.600 (15.24)	0.780 (19.82)	12	1.100 (27.94)	1.280 (32.52)
3	0.200 ( 5.08)	0.380 ( 9.66)	8	0.700 (17.78)	0.880 (22.36)	13	1.200 (30.48)	1.380 (35.06)
4	0.300 ( 7.62)	0.480 (12.20)	9	0.800 (20.32)	0.980 (24.90)	14	1.300 (33.02)	1.480 (37.60)
5	0.400 (10.16)	0.580 (14.74)	10	0.900 (22.86)	1.080 (27.44)	15	1.400 (35.56)	1.580 (40.14)
6	0.500 (12.70)	0.680 (17.28)	11	1.000 (25.40)	1.180 (29.98)	16	1.500 (38.10)	1.680 (42.68)



# .100"(2.54mm) Non ZIF FPC/FFC Top Entry Dual Contact Dip Type

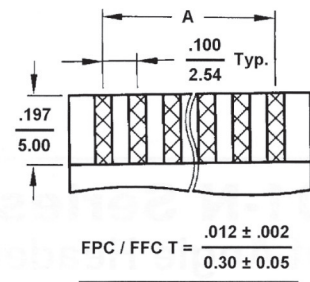
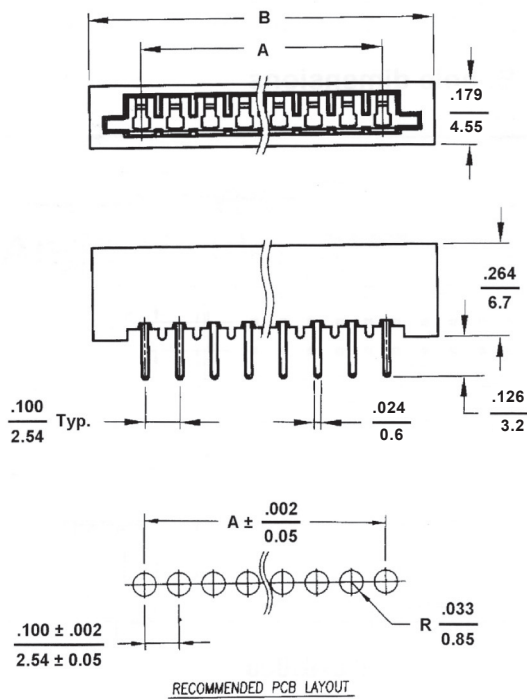
## Specifications:

- Current rating: 1A Max.
- Voltage rating: 250V AC RMS.
- Contact resistance: 25mΩ Max.
- Insulation resistance: 5000MΩ Min.
- Dielectric withstanding voltage: 1000V AC RMS 60Hz / minute
- Durability: 20 cycles
- Temperature range: - 40 °C ~ 105 °C

## 7911-xx-0 Series Top Entry

inches  
mm

- 2~27 circuits available
- Material : PBT + 25% GF ( UL 94V-0 )
- Tin-plated phosphor bronze
- Packing: Tube



### Dimensional Information ( mm )

Circuits	Dim . A	Dim . B
N	2.54 x ( N-1)	2.54 x N + 5.66

&& N = 2 ~ 27



# .100"(2.54mm) Non ZIF FPC/FFC Side Entry Dual Contact Dip Type

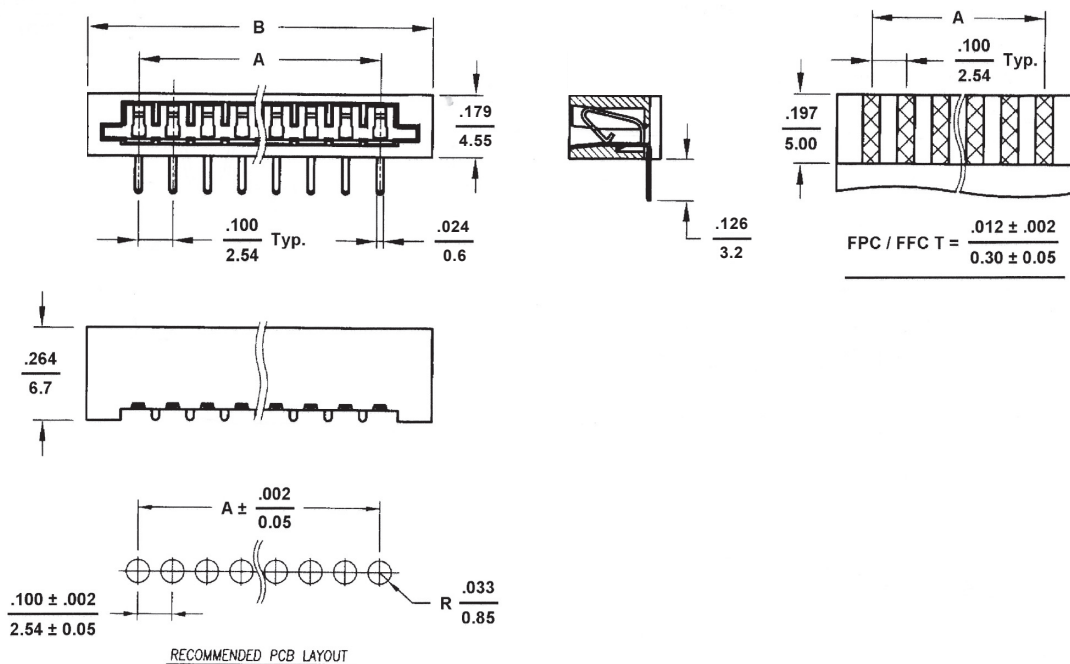
## Specifications:

- Current rating: 1A Max.
- Voltage rating: 250V AC RMS.
- Contact resistance: 25mΩ Max.
- Insulation resistance: 5000MΩ Min.
- Dielectric withstanding voltage: 1000V AC RMS 60Hz / minute
- Durability: 20 cycles
- Temperature range: - 40 °C ~ 105 °C

## 7912-xx-0 Series Side Entry

inches  
mm

- 2~27 circuits available
- Material : PBT + 25% GF ( UL 94V-0 )
- Tin-plated phosphor bronze
- Packing: Tube



$$\text{FPC / FFC T} = \frac{.012 \pm .002}{0.30 \pm 0.05}$$

### Dimensional Information ( mm )

Circuits	Dim . A	Dim . B
N	2.54 x ( N-1)	2.54 x N + 5.66

&& N = 2 ~ 27



# .100"(2.54mm) IDC Connector

## Specifications:

- Current rating: 3A AC, DC
- Voltage rating: 250V AC Max.
- Dielectric Strength: 1500V AC/minute
- Insulation resistance: 1000MΩ Min.
- Contact resistance: Initial value / See table .  
After environmental testing / Twice of Initial
- Ambient temperature range: -40°C ~ 105°C  
( Including temperature rise )

## 9254-xx Series Closed End and Feed-Thru Connectors

inches  
mm

- 2 ~ 24 circuits available
- Housing material: UL 94V-2 nylon 66
- Terminal material: Tin-plated phosphor bronze
- With or without polarizing tabs
- With locking ramp
- Through and end type
- Wire range: #22 ~ #28 AWG (Flat ribbon wire)
- Mates with ALEX 254C-xx cover
- Mates with ALEX K-254-x key
- UL file No.: E114003

**Note:**  
**xx:** Number of circuits, 02 ~ 24  
**E:** Closed end type  
**T:** Feed-Thru type  
**C:** Color  
**Z:** With polarizing rib

C	Color	Wire size	Contact resistance
2	Red	#22	10mΩ Max
9	White	#24	15mΩ Max
6	Blue	#26	20mΩ Max
5	Green	#28	30mΩ Max

### 9254-xxE-C

- Closed end type
- Without Polarizing rib

### 9254-xxE-C-Z

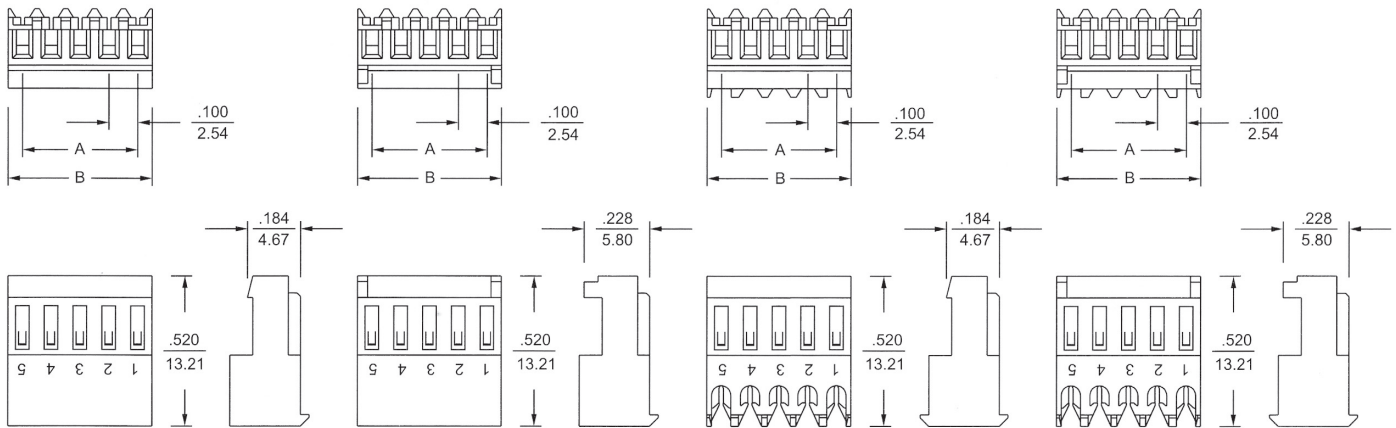
- Closed end type
- With Polarizing rib

### 9254-xxT-C

- Feed-Thru type
- Without Polarizing rib

### 9254-xxT-C-Z

- Feed-Thru type
- With Polarizing rib



## Dimensional Information - in ( mm )

Circuits	Dim. A	Dim. B	Circuits	Dim. A	Dim. B	Circuits	Dim. A	Dim. B
2	0.100 ( 2.54)	0.200 ( 5.08)	10	0.900 (22.86)	1.000 (25.40)	18	1.700 (43.18)	1.800 (45.72)
3	0.200 ( 5.08)	0.300 ( 7.62)	11	1.000 (25.40)	1.100 (27.94)	19	1.800 (45.72)	1.900 (48.26)
4	0.300 ( 7.62)	0.400 (10.16)	12	1.100 (27.94)	1.200 (30.48)	20	1.900 (48.26)	2.000 (50.80)
5	0.400 (10.16)	0.500 (12.70)	13	1.200 (30.48)	1.300 (33.02)	21	2.000 (50.80)	2.100 (53.34)
6	0.500 (12.70)	0.600 (15.24)	14	1.300 (33.02)	1.400 (35.56)	22	2.100 (53.34)	2.200 (55.88)
7	0.600 (15.24)	0.700 (17.78)	15	1.400 (35.56)	1.500 (38.10)	23	2.200 (55.88)	2.300 (58.42)
8	0.700 (17.78)	0.800 (20.32)	16	1.500 (38.10)	1.600 (40.64)	24	2.300 (58.42)	2.400 (60.96)
9	0.800 (20.32)	0.900 (22.86)	17	1.600 (40.64)	1.700 (43.18)			



# .100"(2.54mm) Strain Relief Covers

## 254C-xx Series Strain Relief Covers

- 2 ~ 24 circuits available
- Material: UL 94V-0 nylon 66
- Color: White

### Ordering Information

Part No.	Description	Mates with
254C-xx	Feed-Thru Strain Relief Cover	9254-xxT
254C-xx-1	Closed End Strain Relief Cover	9254-xxE

&& xx = 02 ~ 24

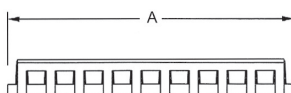
inches  
mm

### Dimensional Information ( mm )

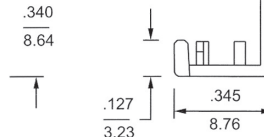
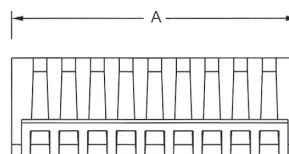
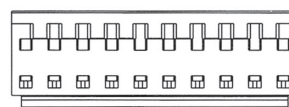
Circuits	Dim. A
N	2.54 x N

&& N = 2 ~ 24

254C-xx



254C-xx-1



# .156"(3.96mm) Strain Relief Covers

## 255C-xx Series Strain Relief Covers

- 2 ~ 20 circuits available
- Material: UL 94V-0 nylon 66
- Color: White

### Ordering Information

Part No.	Description	Mates with
255C-xx	Feed-Thru Strain Relief Cover	9255-xxT
255C-xx-1	Closed End Strain Relief Cover	9255-xxE

&& xx = 02 ~ 20

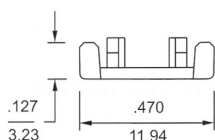
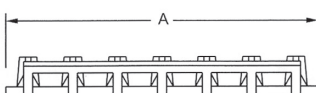
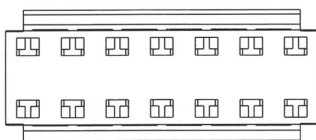
inches  
mm

### Dimensional Information ( mm )

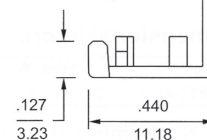
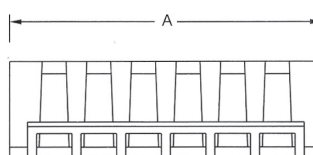
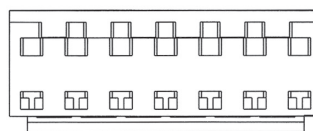
Circuits	Dim. A
N	3.96 x N

&& N = 2 ~ 20

255C-xx



255C-xx-1

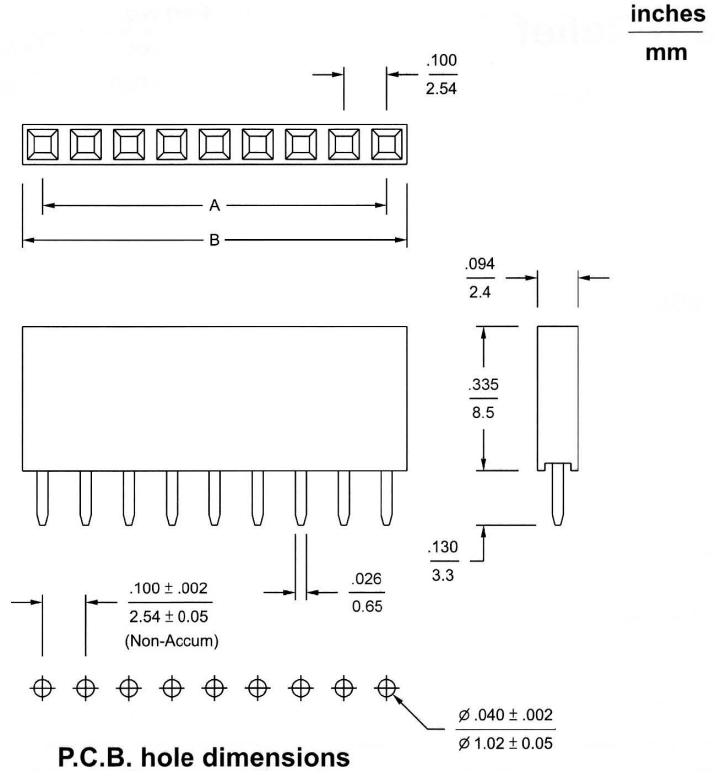




# .100"(2.54mm) Center Headers

## 9911-N Series Single Row Straight Header

- 2 ~ 40 circuits available
- Material: PBT (UL 94V-0)
- Gold flash brass



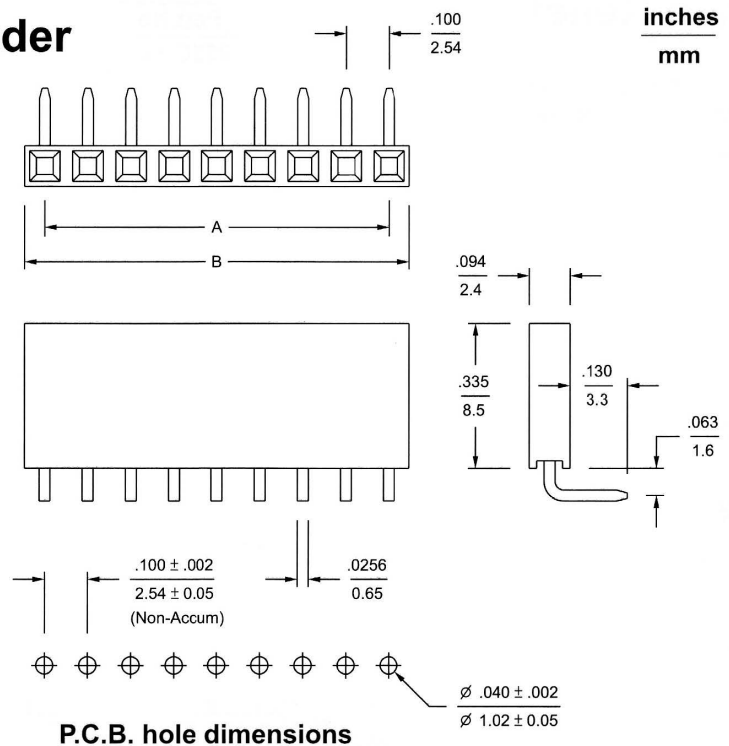
**Dimensional Information ( mm )**

Part No.	Dim. A	Dim. B
9911-N	$2.54 \times (N - 1)$	$2.54 \times N + 0.4$

&& N = Number of contact, 2 ~ 40

## 9912-N Series Single Row Right Angle Header

- 2 ~ 40 circuits available
- Material: PBT (UL 94V-0)
- Gold flash brass



**Dimensional Information ( mm )**

Part No.	Dim. A	Dim. B
9912-N	$2.54 \times (N - 1)$	$2.54 \times N + 0.5$

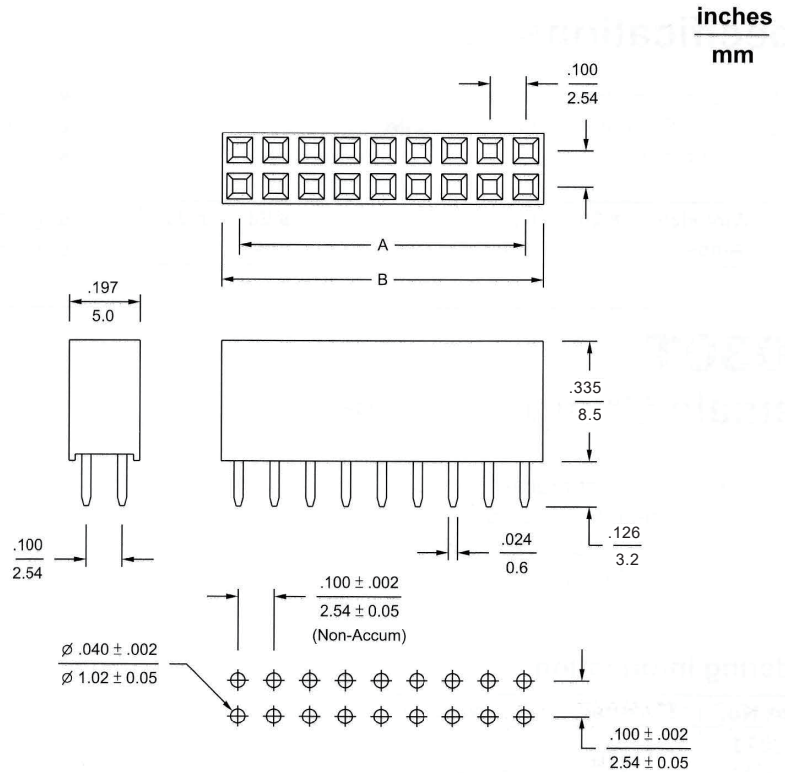
&& N = Number of contact, 2 ~ 40



# .100"(2.54mm) Center Headers

## 9913-N Series Dual Row Straight Header

- 4 ~ 80 circuits available
- Material: PBT (UL 94V-0)
- Gold-flash brass



**Dimensional Information ( mm )**

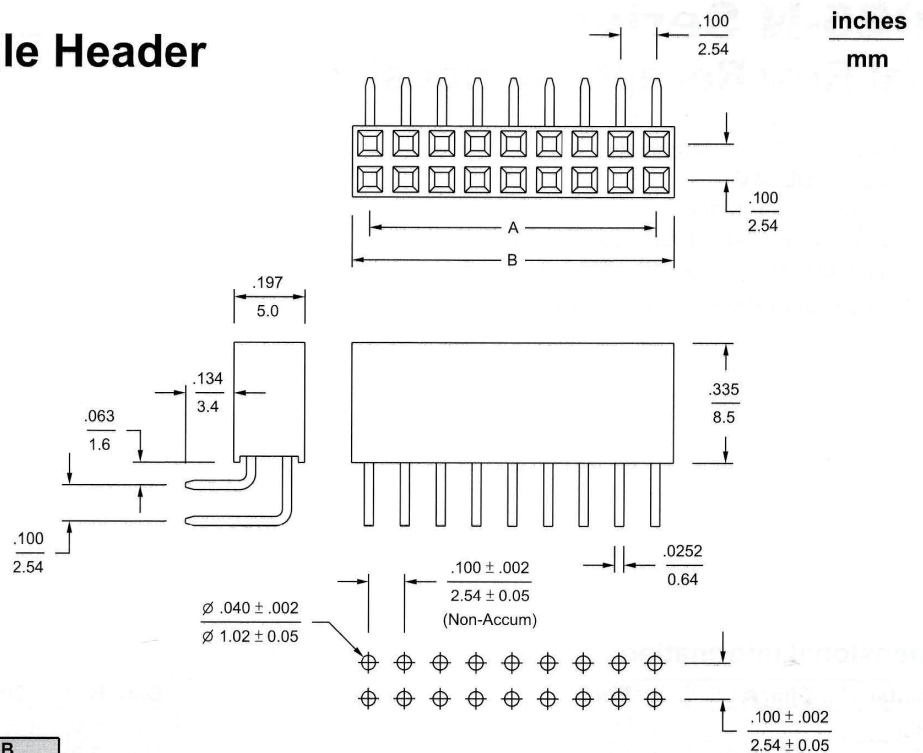
Part No.	Dim. A	Dim. B
9913-N	2.54 x ( N / 2 - 1 )	1.27xN+0.6

&& N = Number of contact, 4 ~ 80

**P.C.B. hole dimensions**

## 9914-N Series Dual Row Right Angle Header

- 4 ~ 80 circuits available
- Material: PBT(UL 94V-0)
- Gold-flash brass



**Dimensional Information ( mm )**

Part No.	Dim. A	Dim. B
9914-N	2.54 x ( N / 2 - 1 )	1.27xN+0.4

&& N = Number of contact, 4 ~ 80

**P.C.B. hole dimensions**



# .100"(2.54mm) Single Row Side Entry Female Header, SMT Type

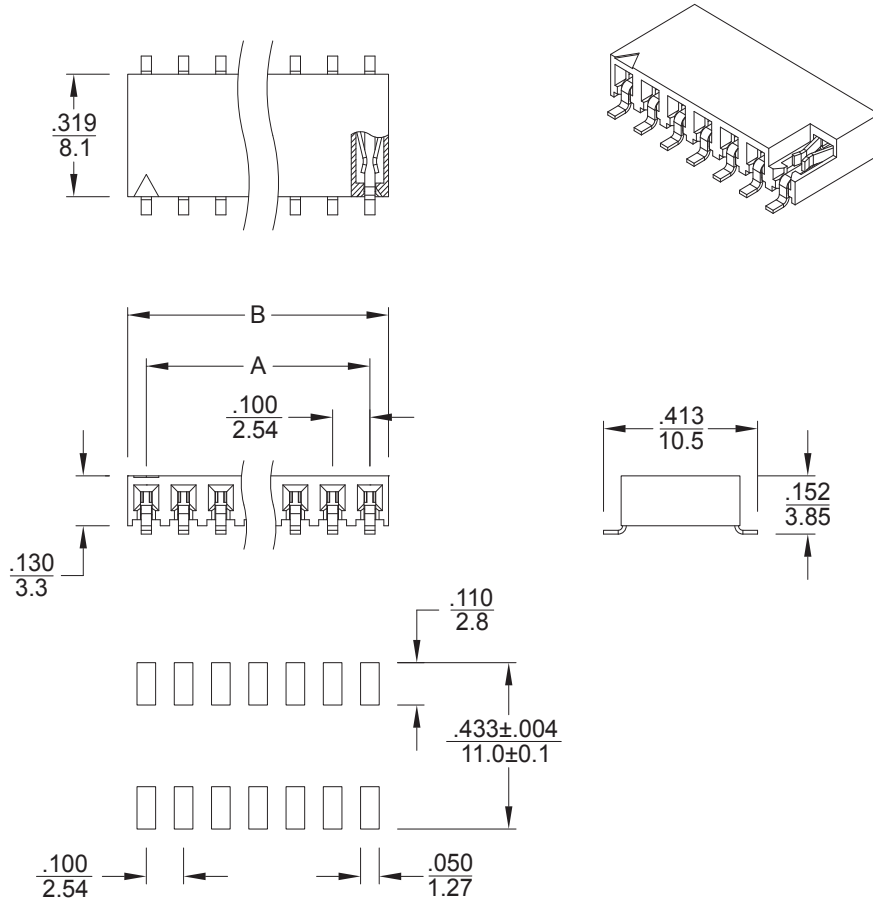
## Specification:

- Current rating: 3A AC, DC
- Voltage rating: 250V AC, DC
- Contact resistance: 20mΩ Max.
- Insulation resistance: 1000MΩ Min.
- Dielectric withstanding voltage: 500V AC/minute
- Ambient temperature range: -40°C ~ 105°C  
( Including temperature rise )

## 9938-xx-xGF-0 Series Side Entry Type

inches  
mm

- 2 ~ 40 circuits available
- Material: LCP
- Gold-flash phosphor bronze
- Color: Black
- Package: Tube



Recommended P. C. board layout

### Dimensional Information ( mm )

Circuits	Dim. A	Dim. B
N	2.54 x ( N - 1 )	2.54 x N

&& N = 2 ~ 40



# .118"(3.0mm) Wire-to-Wire Crimp Terminal Housing

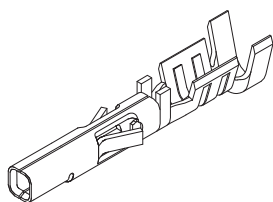
## Specifications:

- Voltage rating: 250V AC(RMS) or DC
- Dielectric Strength: 1500V AC/minute
- Current rating:
- Insulation resistance: 1000M  $\Omega$  Min.
- Contact resistance: 10m  $\Omega$  Max.
- Temperature rise: 30°C Max. (carry rated current load)
- UL file No.: E114003

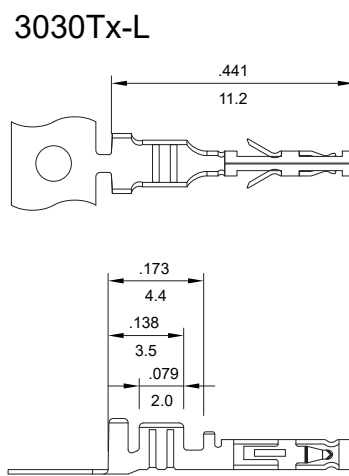
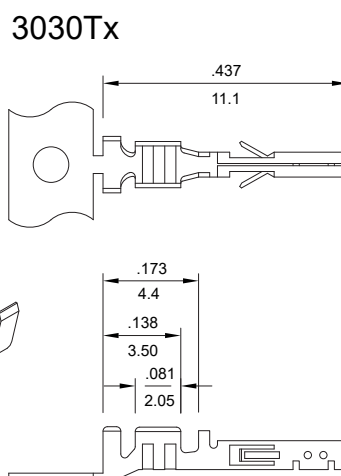
Wire size	# 20	# 22	# 24	# 26	# 28	# 30
Ampere	5 A	5 A	4 A	3 A	2 A	1 A

## 3030T Female Crimp Terminal

- Material: Phosphor bronze
- Finished: Tin-plated or Gold flash
- Used in ALEX 3025-N, 3025-xxS housings
- Wire range: AWG #20 ~ #30
- Thickness: 0.2mm



inches  
mm



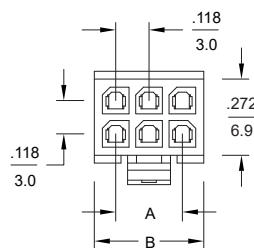
### Ordering Information

Part No.		Finished	Wire size
3030T1	3030T1-L	Tin-plated	#26 ~ #30 AWG
3030T2	3030T2-L		#20 ~ #24 AWG
3030T1-xGC	3030T1-L-xGC	Gold flash in contact area.	#26 ~ #30 AWG
3030T2-xGC	3030T2-L-xGC	Others: Tin-plated	#20 ~ #24 AWG
3030T1-xGF	3030T1-L-xGF	Gold flash	#26 ~ #30 AWG
3030T2-xGF	3030T2-L-xGF		#20 ~ #24 AWG

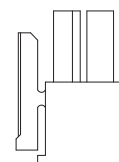
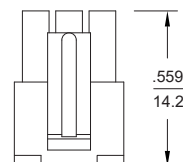
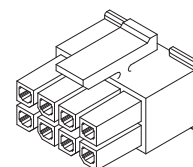
&& x means the u" of gold flash.

## 3025-N Series Dual Row Receptacle Housing

- Available in 2 thru 24 circuits
- Material: UL 94V-0 nylon 66
- Standard color: Black
- Accepts ALEX 3030Tx, 3030Tx-L terminals
- Mates with ALEX 3045-N, 3046-N, 3047-xx, 3048-xx headers (With 3030Tx-L terminal)
- Mates with ALEX 3020-N housing (With 3030Tx, 3030Tx-L terminals)



inches  
mm



### Dimensional Information ( mm )

Circuits	Dim. A	Dim. B
N	3 x ( N / 2 - 1 )	A + 4.25

&& N = 2~24

### Ordering Information

Circuits	Descriptiou
02~10	Accepts ALEX 3030Tx,3030Tx-L
12~24	Accepts ALEX 3030Tx-L



# .118"(3.0mm) Wire-to-Wire Crimp Terminal Housing

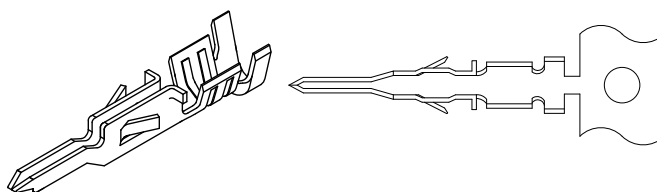
## Specifications:

- Voltage rating: 250V AC(RMS) or DC
- Dielectric Strength: 1500V AC/minute
- Current rating:
- Insulation resistance: 1000M  $\Omega$  Min.
- Contact resistance: 10m  $\Omega$  Max.
- Temperature rise: 30°C Max. (carry rated current load)
- UL file No.: E114003

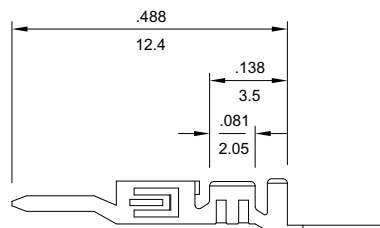
Wire size	# 20	# 22	# 24	# 26	# 28	# 30
Ampere	5 A	5 A	4 A	3 A	2 A	1 A

## 3031T Male Crimp Terminal

- Material: Phosphor bronze
- Finished: Tin-plated or Gold flash
- Used in ALEX 3020-N, 3020-xxS housings
- Wire range: AWG #20 ~ #30
- Thickness: 0.2mm



inches  
mm



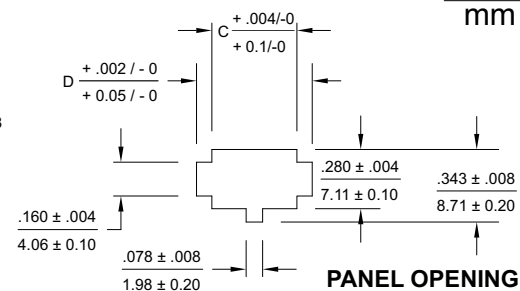
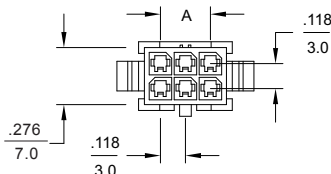
### Ordering Information

Part No.	Finished	Wire size
3031T1	Tin-plated	#26 ~ #30 AWG
3031T2		#20 ~ #24 AWG
3031T1-xGC	Gold flash in contact area.	#26 ~ #30 AWG
3031T2-xGC	Others: Tin-plated	#20 ~ #24 AWG
3031T1-xGF	Gold flash	#26 ~ #30 AWG
3031T2-xGF		#20 ~ #24 AWG

&& x means the u" of gold flash.

## 3020-N Series Dual Row Receptacle Housing

- Available in 2 thru 24 circuits
- Material: UL 94V-0 nylon 66
- Standard color: Black
- Accepts ALEX 3031T terminal
- Mates with ALEX 3025-N housing
- Recommended panel thickness: 1.57mm



inches  
mm

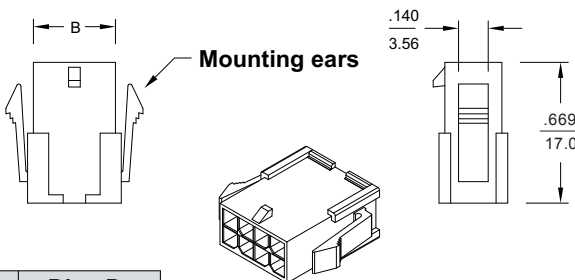
### Ordering Information

Part No.	Feature
3020-xxE	With mounting ears
3020-xx	Without mounting ears

### Dimensional Information ( mm )

Circuits	Dim. A	Dim. B	Dim. C	Dim. D
N	3 x ( N / 2 - 1 )	A + 4	A + 4.22	A + 7.88

&& N = 2 ~ 24

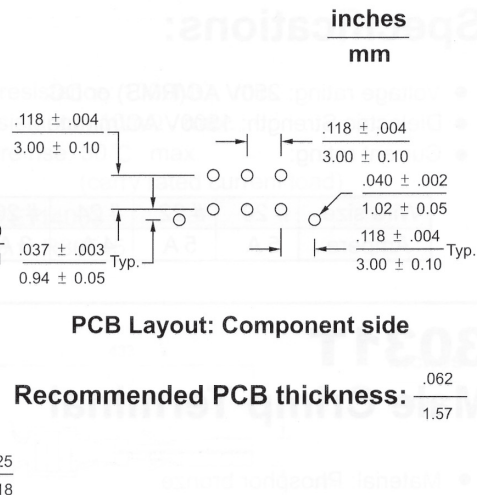
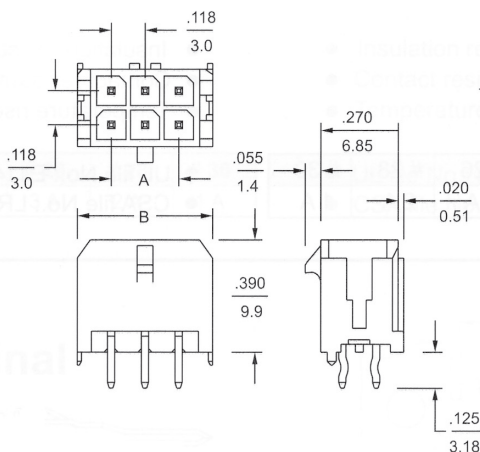
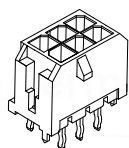




# .118"(3.0mm) Dual Row Wire-to-Board Header

## 3045-xx-LCP Vertical Header

- 2 ~ 24 circuits available
- Material:Nylon LCP
- .0246"(0.625mm) square pin
- Tin-plated brass pin
- Mates with ALEX 3025-N housing

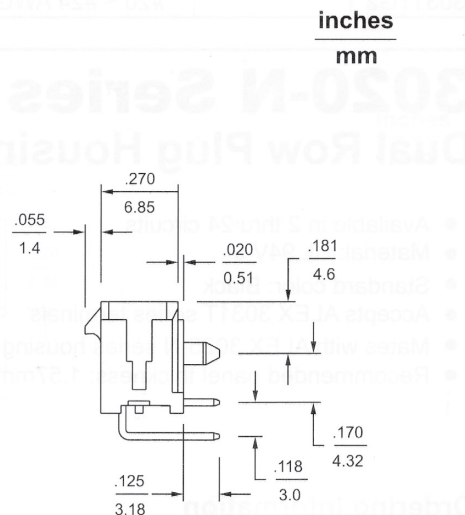
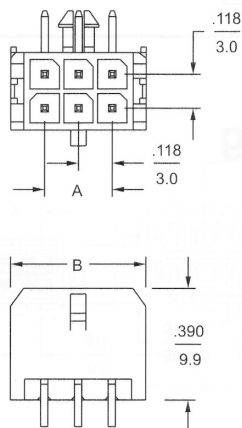
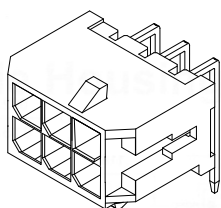


### Dimensional Information - in ( mm ) 3045-N / 3046-N

Circuits	Dim. A	Dim. B	Dim. C	Circuits	Dim. A	Dim. B	Dim. C
2		0.262 ( 6.65)		14	0.709 (18.0)	0.970 (24.65)	0.539 (13.7)
4	0.118 ( 3.0)	0.380 ( 9.65)		16	0.827 (21.0)	1.089 (27.65)	0.657 (16.7)
6	0.236 ( 6.0)	0.498 (12.65)		18	0.945 (24.0)	1.207 (30.65)	0.776 (19.7)
8	0.354 ( 9.0)	0.616 (15.65)	0.185 ( 4.7)	20	1.063 (27.0)	1.325 (33.65)	0.894 (22.7)
10	0.472 (12.0)	0.734 (18.65)	0.303 ( 7.7)	22	1.181 (30.0)	1.443 (36.65)	1.012 (25.7)
12	0.591 (15.0)	0.852 (21.65)	0.421 (10.7)	24	1.299 (33.0)	1.561 (39.65)	1.130 (28.7)

## 3046-xx-LCP Right Angle Header

- 2 ~ 24 circuits available
- Material:Nylon LCP
- .0246"(0.625mm) square pin
- Tin-plated brass pin
- Mates with ALEX 3025-N housing

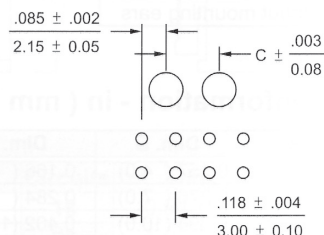
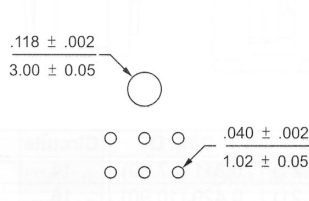
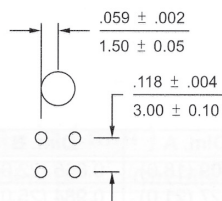
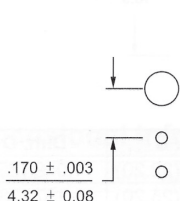


2 circuit

4 circuit

6 circuit

8 ~ 24 circuit



PCB Layout



# .118"(3.0mm) Dual Row Vertical Header, SMT

## 3047-xx Series Vertical Header, SMT

inches  
mm

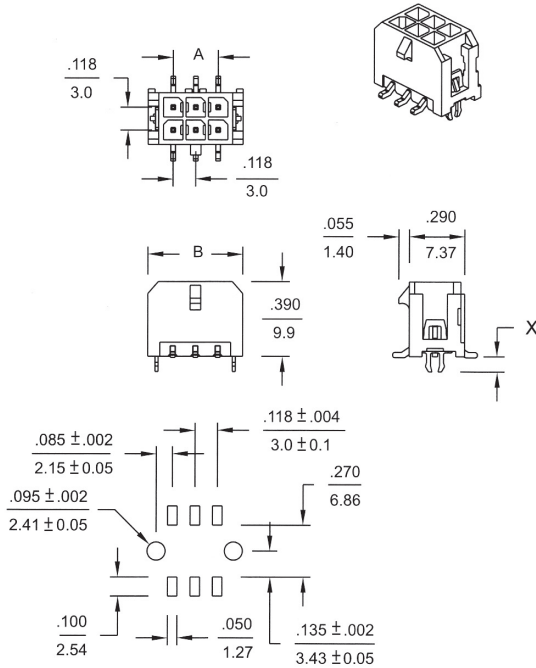
- 2 ~ 24 circuits available
- Plastic material: LCP
- Contact: Tin-plated brass pin
- Mates with ALEX 3025-N housing
- Recommended PCB thickness: .062"(1.57mm)

### Ordering Information

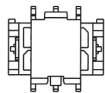
Part No.	Feature	Dim. X
3047-xxRC-1	With solderable retention clip	2.0
3047-xxRC-2		3.2
3047-xxFN	With solderable fitting nail	X

&& xx = 02 ~ 24

### 3047-xxRC

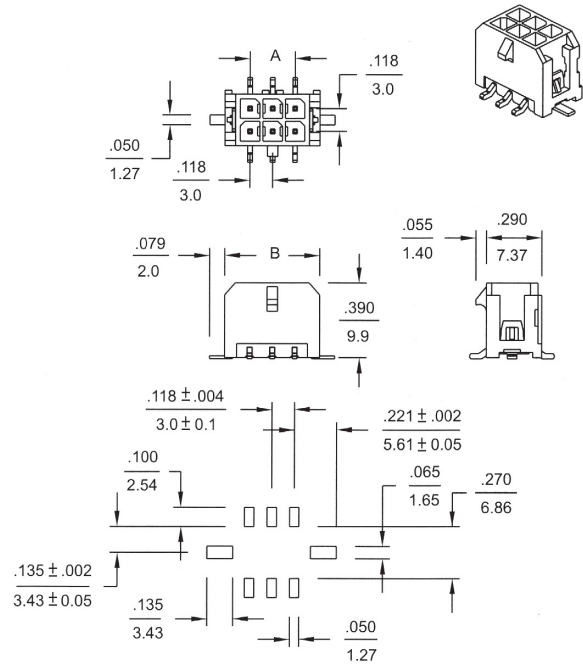


PCB Layout: Component side

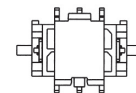


Shown with disposable cap

### 3047-xxFN



PCB Layout: Component side



Shown with disposable cap

### Dimensional Information - in ( mm )

Circuits	Dim. A	Dim. B	Circuits	Dim. A	Dim. B	Circuits	Dim. A	Dim. B
2		0.262 ( 6.65)	10	0.472 (12.0)	0.734 (18.65)	18	0.945 (24.0)	1.206 (30.65)
4	0.118 ( 3.0)	0.380 ( 9.65)	12	0.591 (15.0)	0.852 (21.65)	20	1.063 (27.0)	1.325 (33.65)
6	0.236 ( 6.0)	0.498 (12.65)	14	0.709 (18.0)	0.970 (24.65)	22	1.181 (30.0)	1.443 (36.65)
8	0.354 ( 9.0)	0.616 (15.65)	16	0.827 (21.0)	1.088 (27.65)	24	1.299 (33.0)	1.561 (39.65)

# .118"(3.0mm) Vertical Header

## Specifications:

- Voltage rating: 250V AC(RMS) or DC
  - Dielectric Strength: 1500V AC/minute
  - Current rating:
 

Wire size	# 20	# 22	# 24	# 26	# 28	# 30
Ampere	5 A	5 A	4 A	3 A	2 A	1 A
  - Insulation resistance: 1000M $\Omega$ Min.
  - Contact resistance: 10m $\Omega$ Max.
  - Temperature rise: 30°C Max.
- (carry rated current load)

## 3047-xxRC-x-P-dip Series Vertical Header

inches  
mm

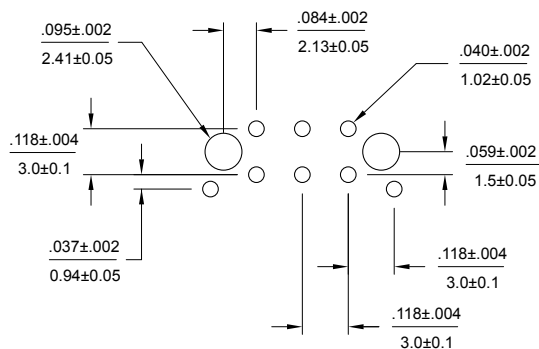
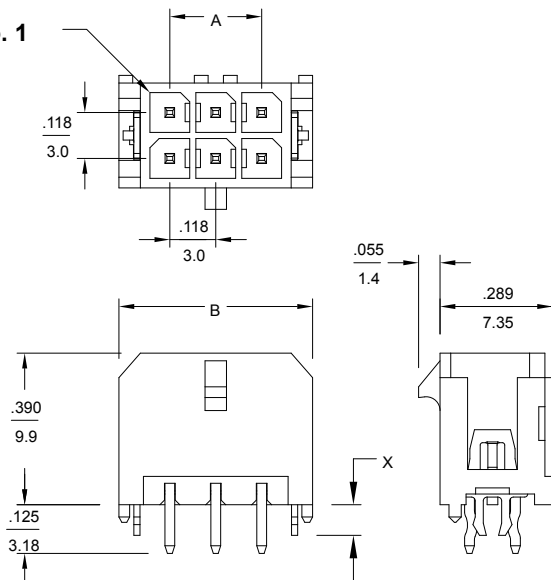
- 2 ~ 24 circuits available
- Plastic material: LCP
- Pin material: Brass
- .025"(0.64mm) square pin
- Mates with ALEX 3025-N housing (With ALEX 3030Tx-L terminal)
- With solderable retention clip

### Ordering & Dimensional Information ( mm )

Part No.	Finished	Dim. X
3047-xxRC-1-P-dip	Tin-plated	2.0
3047-xxRC-2-P-dip		3.2
3047-xxRC-1-P-dip-xGF	Gold-flash	2.0
3047-xxRC-2-P-dip-xGF		3.2

&& xx = 02 ~ 24, x means the u" of gold flash.

Circuit No. 1



PCB Layout: Component side

Recommended PCB thickness: .062"(1.57mm)

### Dimensional Information - in ( mm )

Circuits	Dim. A	Dim. B	Circuits	Dim. A	Dim. B	Circuits	Dim. A	Dim. B
2		0.262 ( 6.65)	10	0.472 ( 12.0)	0.734 ( 18.65)	18	0.945 ( 24.0)	1.206 ( 30.65)
4	0.118 ( 3.0)	0.380 ( 9.65)	12	0.591 ( 15.0)	0.852 ( 21.65)	20	1.063 ( 27.0)	1.325 ( 33.65)
6	0.236 ( 6.0)	0.498 ( 12.65)	14	0.709 ( 18.0)	0.970 ( 24.65)	22	1.181 ( 30.0)	1.443 ( 36.65)
8	0.354 ( 9.0)	0.616 ( 15.65)	16	0.827 ( 21.0)	1.088 ( 27.65)	24	1.299 ( 33.0)	1.561 ( 39.65)



# .118"(3.0mm) Dual Row Right Angle Header, SMT

## 3048-xx Series Right Angle Header, SMT

inches  
mm

- 2 ~ 24 circuits available
- Plastic material: LCP
- Contact: Tin-plated brass pin
- Mates with ALEX 3025-N housing
- Recommended PCB thickness: .062"(1.57mm)

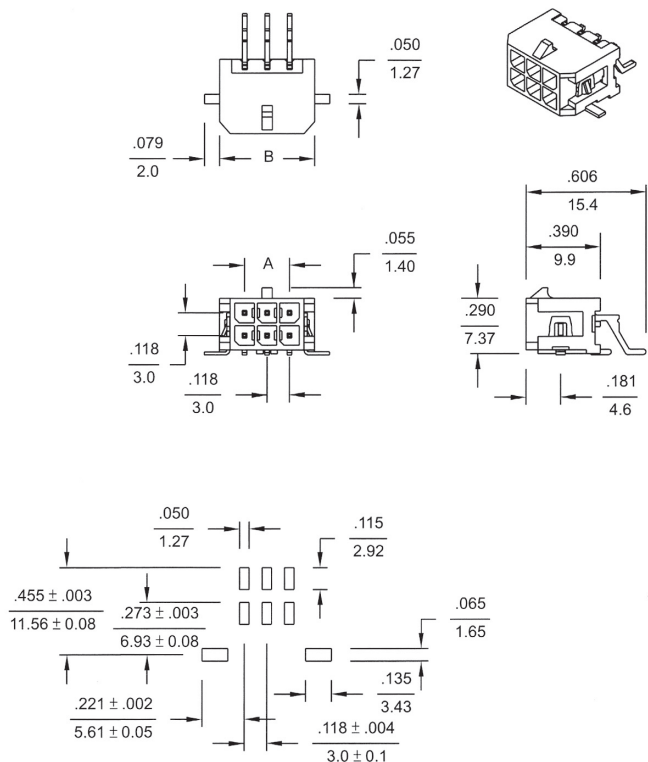
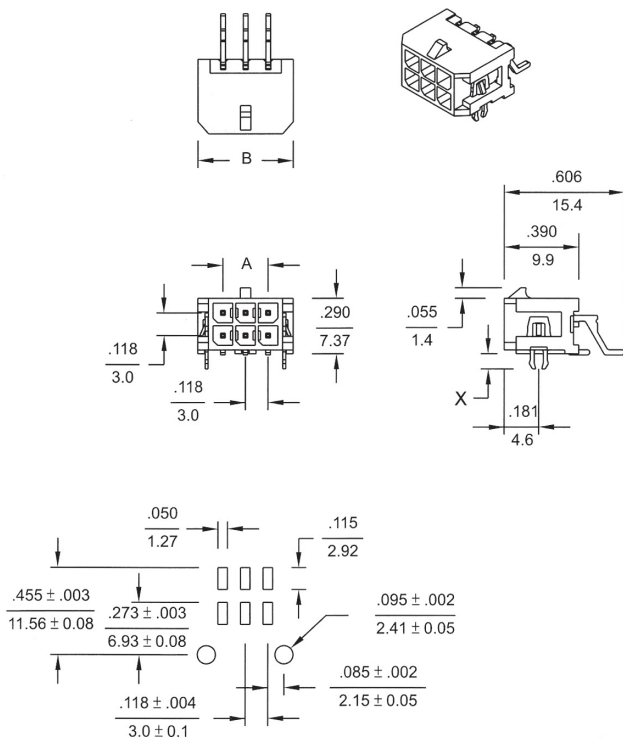
### Ordering Information

Part No.	Feature	Dim. X
3048-xxRC-1	With solderable retention clip	2.0
3048-xxRC-2		3.2
3048-xxFN	With solderable fitting nail	X

&& xx = 02 ~ 24

### 3048-xxRC

### 3048-xxFN



**PCB Layout: Component side**

**PCB Layout: Component side**

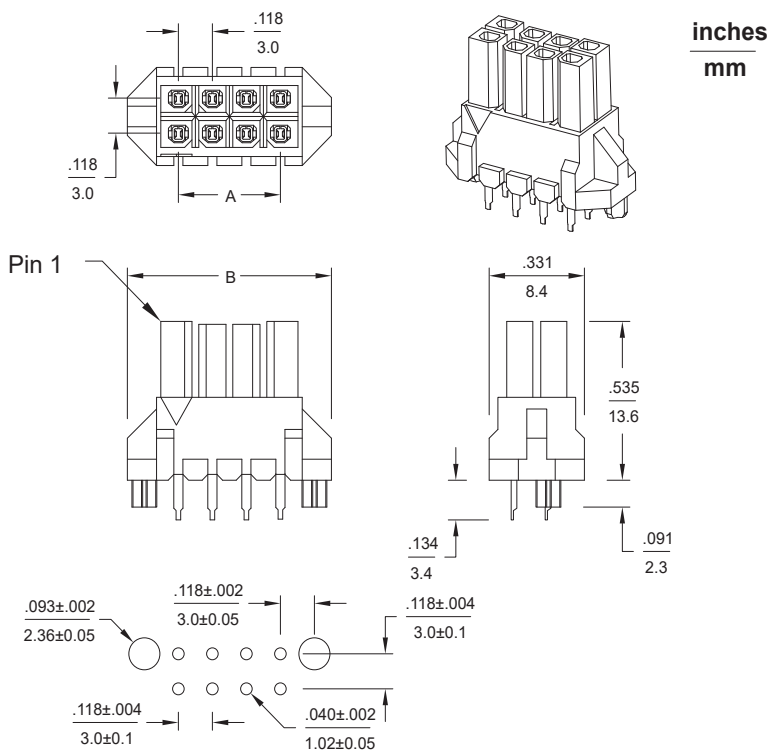
### Dimensional Information - in ( mm )

Circuits	Dim. A	Dim. B	Circuits	Dim. A	Dim. B	Circuits	Dim. A	Dim. B
2		0.262 ( 6.65)	10	0.472 (12.0)	0.734 (18.65)	18	0.945 (24.0)	1.206 (30.65)
4	0.118 ( 3.0)	0.380 ( 9.65)	12	0.591 (15.0)	0.852 (21.65)	20	1.063 (27.0)	1.325 (33.65)
6	0.236 ( 6.0)	0.498 (12.65)	14	0.709 (18.0)	0.970 (24.65)	22	1.181 (30.0)	1.443 (36.65)
8	0.354 ( 9.0)	0.616 (15.65)	16	0.827 (21.0)	1.088 (27.65)	24	1.299 (33.0)	1.561 (39.65)

# .118"(3.0mm) Vertical Header

## 3049-N Series Vertical Header

- 4 ~ 24 circuits available
- Plastic Material: LCP
- Tin-plated phosphor bronze
- Mates with ALEX 3050-N, 3052-N headers



Dimensional Information ( mm )

Circuits	N
Dim. A	$3 \times (N / 2 - 1)$
Dim. B	$3 \times (N / 2) + 6$

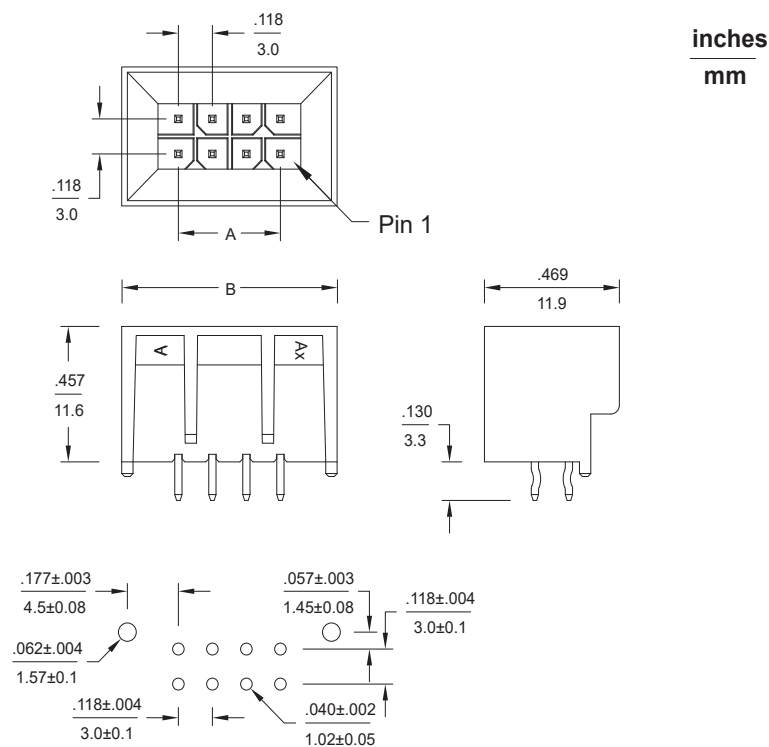
&& N = 4 ~ 24

PCB Layout: Component side

Recommended PCB thickness: .062"(1.57mm)

## 3050-N Series Vertical Header

- 4 ~ 24 circuits available
- Plastic Material: LCP
- Tin-plated brass pin
- .0246"(0.625mm) square pin
- Mates with ALEX 3049-N, 3051-N headers



Dimensional Information ( mm )

Circuits	N
Dim. A	$3 \times (N / 2 - 1)$
Dim. B	$3 \times (N / 2) + 7$

&& N = 4 ~ 24

PCB Layout: Component side

Recommended PCB thickness: .062"(1.57mm)



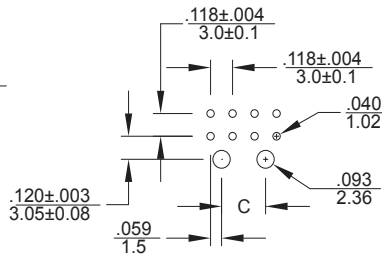
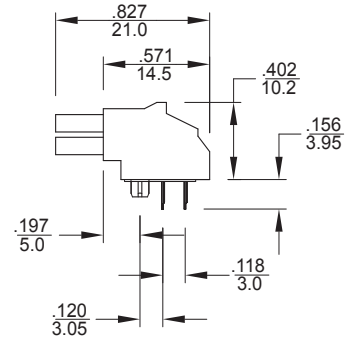
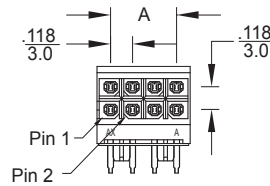
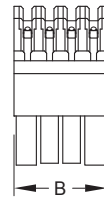
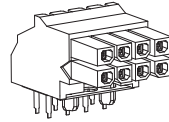
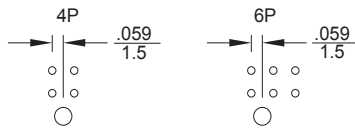
# .118"(3.0mm) Right Angle Header

## 3051-N Series Right Angle Header

- 4 ~ 24 circuits available
- Plastic material: LCP
- Contact material: Tin-plated phosphor bronze
- Terminal positioning strip: Mylar, nature
- Mates with ALEX 3050-N, 3052-N headers
- Recommended PCB thickness: .062"(1.57mm)

Dimensional Information ( mm )

Circuits	N = 4, 6	N = 8 ~ 24
Dim. C	0	$3 \times (N/2 - 2)$
Dim. A	$3 \times (N/2 - 1)$	
Dim. B	A + 3.7	



PCB Layout: Component side

inches  
mm

## 3052-N Series Right Angle Header

- 4 ~ 24 circuits available
- Plastic material: LCP
- Pin material: Tin-plated brass
- .0246"(0.625mm) square pin
- Pin positioning strip: Mylar, nature
- Mates with ALEX 3049-N, 3051-N headers
- Recommended PCB thickness: .062"(1.57mm)

Ordering Information

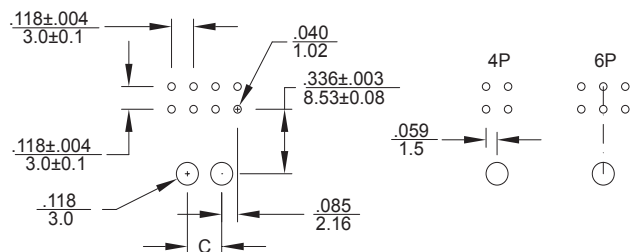
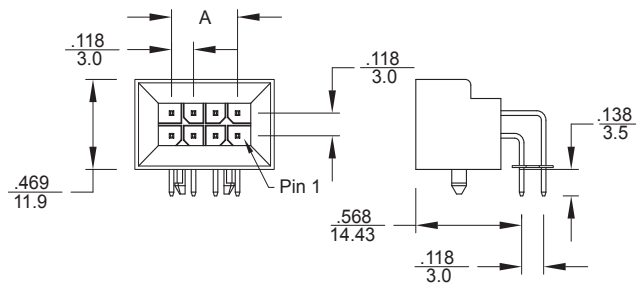
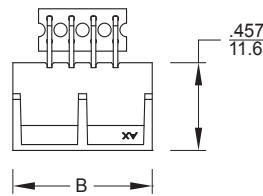
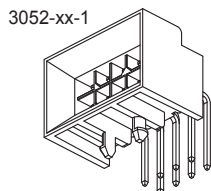
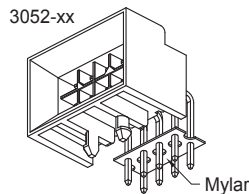
Part No.	Mylar
3052-xx	Yes
3052-xx-1	None

&& xx = 04 ~ 24

Dimensional Information ( mm )

Circuits	N
Dim. A	$3 \times (N/2 - 1)$
Dim. B	A + 10
Dim. C	A - 4.32

&& N = 4 ~ 24



PCB Layout: Component side

inches  
mm



# .118" (3.0mm) Wire-to-Wire Crimp Terminal Housing

## Specifications:

- Voltage rating: 250V AC(RMS) or DC
- Dielectric Strength: 1500V AC/minute
- Current rating:
- Insulation resistance: 1000MΩ min.
- Contact resistance: 10mΩ max.
- Temperature rise: 30°C max. (carry rated current load)
- UL file No.: E114003

Wire size	# 20	# 22	# 24	# 26	# 28	# 30
Ampere	5 A	5 A	4 A	3 A	2 A	1 A

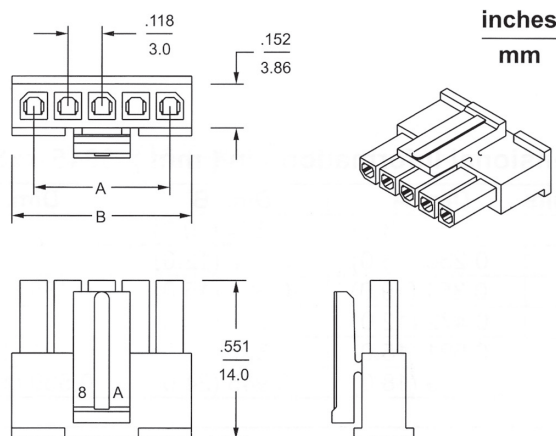
## 3025-xxS Series Single Row Receptacle Housing

- Available in 2 thru 12 circuits
- Material: UL 94V-0 nylon 66
- Standard color: Black
- Accepts ALEX 3030Tx, 3030Tx-L terminals
- Mates with ALEX 3020-xxS series housing (With 3030Tx, 3030Tx-L terminals)
- Mates with ALEX 3045-xxS, 3046-xxS, 3047-xxS, 3048-xxS headers (With 3030Tx-L terminal)

### Dimensional Information ( mm )

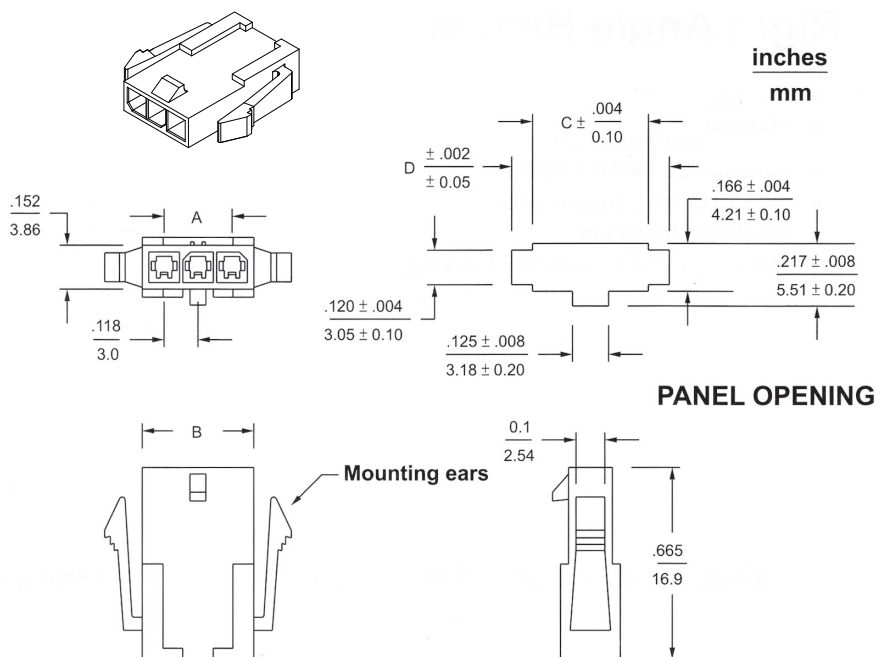
Circuits	Dim. A	Dim. B
N	3 x N - 3	3 x N + 1

&& N = 2 ~ 12



## 3020-xxS Series Single Row Plug Housing

- Available in 2 thru 12 circuits
- Material: UL 94V-0 nylon 66
- Standard color: Black
- Accepts ALEX 3031T series terminals
- Mates with ALEX 3025-xxS series housing
- Recommended panel thickness: 1.57mm



### Ordering Information

Part No.	Feature
3020-xxES	With mounting ears
3020-xxS	Without mounting ears

&& xx = 2 ~ 12

### Dimensional Information ( mm )

Circuits	Dim. A	Dim. B	Dim. C	Dim. D
N	3 x N - 3	3 x N + 0.85	3 x N + 1.21	3 x N + 4.9

&& N = 2 ~ 12



# .118"(3.0mm) Single Row Wire-to-Board Header

## 3045-xxS-LCP Series Vertical Header

inches  
mm

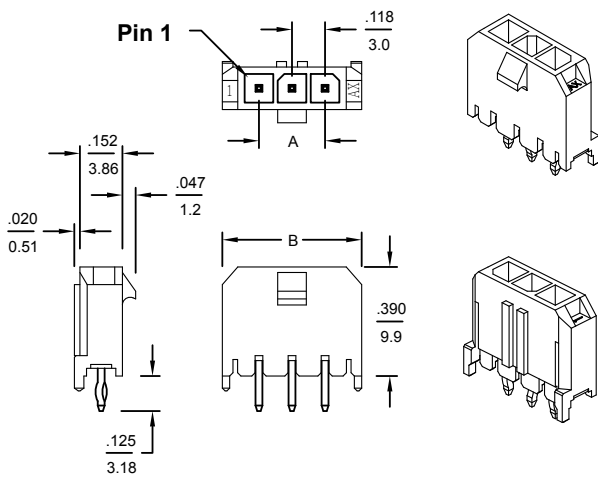
- 2 ~ 12 circuits available
- Material: LCP
- .0246"(0.625mm) square pin
- Tin-plated brass pin
- Mates with ALEX 3025-xxS housing

### Ordering Information

Part No.	Feature	Dim. X
3045-xxS-LCP	Without solderable retention clip	<del>X</del>
3045-xxSRC-1-LCP	With solderable retention clip	2.0
3045-xxSRC-2-LCP		3.2

&& xx = 02 ~ 12

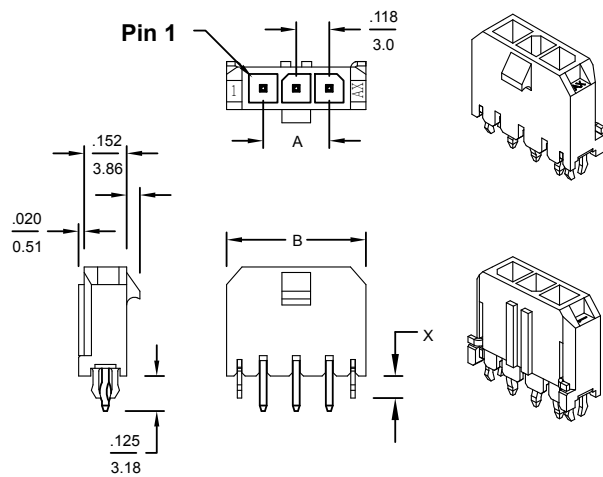
### 3045-xxS-LCP



PCB Layout: Component side

Recommended PCB thickness:  $\frac{.062}{1.57}$

### 3045-xxSRC-x-LCP



PCB Layout: Component side

Recommended PCB thickness:  $\frac{.062}{1.57}$

### Dimensional Information - in ( mm )

Circuits	Dim. A	Dim. B	Circuits	Dim. A	Dim. B
2	0.118 ( 3.0 )	0.380 ( 9.65 )	8	0.827 ( 21.0 )	1.089 ( 27.65 )
3	0.236 ( 6.0 )	0.498 ( 12.65 )	9	0.945 ( 24.0 )	1.207 ( 30.65 )
4	0.354 ( 9.0 )	0.616 ( 15.65 )	10	1.063 ( 27.0 )	1.325 ( 33.65 )
5	0.472 ( 12.0 )	0.734 ( 18.65 )	11	1.181 ( 30.0 )	1.443 ( 36.65 )
6	0.591 ( 15.0 )	0.852 ( 21.65 )	12	1.299 ( 33.0 )	1.561 ( 39.65 )
7	0.709 ( 18.0 )	0.970 ( 24.65 )			



# .118"(3.0mm) Single Row Wire-to-Board Header

## 3046-xxS-LCP Series

### Right Angle Header

inches  
mm

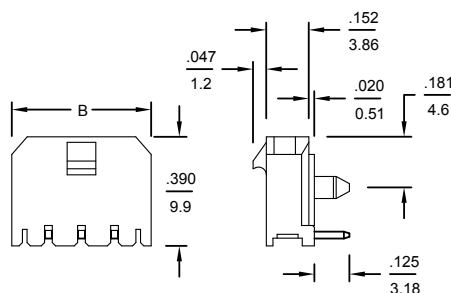
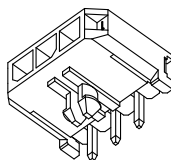
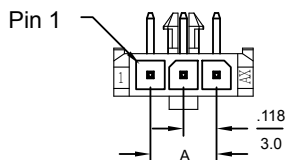
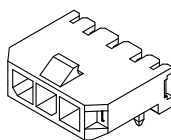
- 2 ~ 12 circuits available
- Material: LCP
- .0246"(0.625mm) square pin
- Tin-plated brass pin
- Mates with ALEX 3025-xxS housing

#### Ordering Information

Part No.	Feature	Dim. X
3046-xxS-LCP	Without solderable retention clip	X
3046-xxSRC-1-LCP	With solderable retention clip	2.0
3046-xxSRC-2-LCP		3.2

&& xx = 02 ~ 12

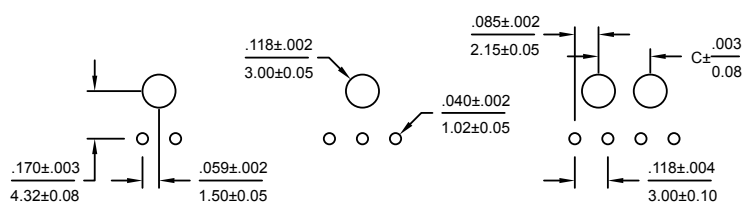
3046-xxS-LCP



2 circuit

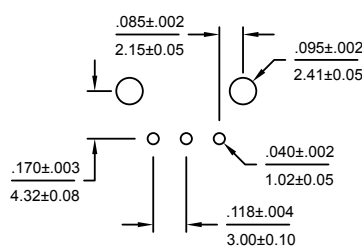
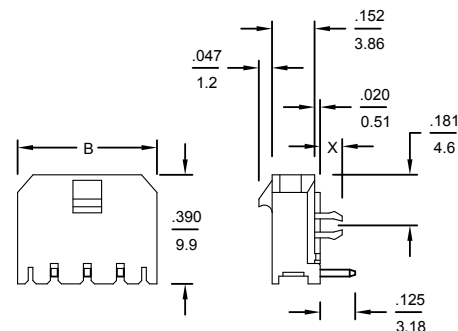
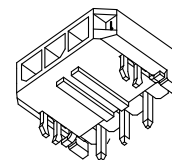
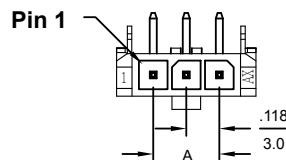
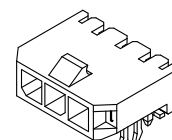
3 circuit

4 ~ 12 circuit



PCB Layout

3046-xxSRC-x-LCP



PCB Layout

#### Dimensional Information - in ( mm )

Circuits	Dim. A	Dim. B	Dim. C	Circuits	Dim. A	Dim. B	Dim. C
2	0.118 ( 3.0)	0.380 ( 9.65)		8	0.827 (21.0)	1.089 (27.65)	0.657 (16.7)
3	0.236 ( 6.0)	0.498 (12.65)		9	0.945 (24.0)	1.207 (30.65)	0.776 (19.7)
4	0.354 ( 9.0)	0.616 (15.65)	0.185 ( 4.7)	10	1.063 (27.0)	1.325 (33.65)	0.894 (22.7)
5	0.472 (12.0)	0.734 (18.65)	0.303 ( 7.7)	11	1.181 (30.0)	1.443 (36.65)	1.012 (25.7)
6	0.591 (15.0)	0.852 (21.65)	0.421 (10.7)	12	1.299 (33.0)	1.561 (39.65)	1.130 (28.7)
7	0.709 (18.0)	0.970 (24.65)	0.539 (13.7)				



# .118" (3.0mm) Single Row Vertical Header, SMT

## 3047-xxS Series Vertical Header, SMT

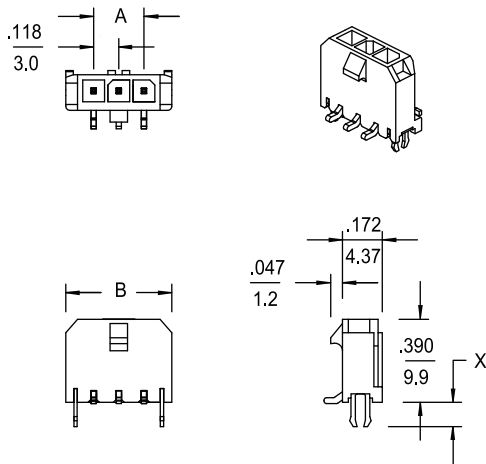
- 2 ~ 12 circuits available
- Plastic material: LCP
- Contact: Tin-plated brass pin
- Mates with ALEX 3025-xxS housing
- Recommended PCB thickness: .062" (1.57mm)

### Ordering Information

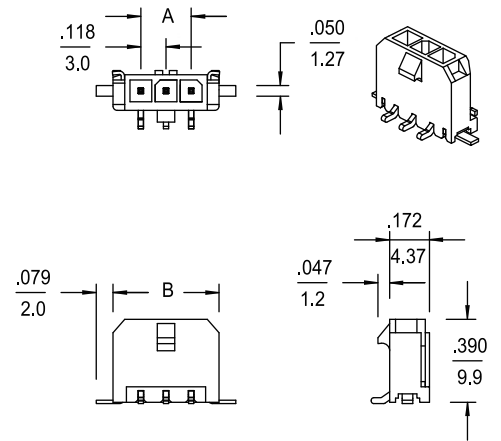
Part No.	Feature	Dim. X
3047-xxSRC-1	With solderable retention clip	2.0
3047-xxSRC-2		3.2
3047-xxSFN	With solderable fitting nail	X

&& xx = 02 ~ 12

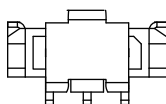
### 3047-xxSRC



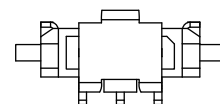
### 3047-xxSFN



### PCB Layout: Component side



### PCB Layout: Component side



Shown with disposable cap

Shown with disposable cap

### Dimensional Information - in ( mm )

Circuits	Dim. A	Dim. B	Circuits	Dim. A	Dim. B	Circuits	Dim. A	Dim. B
2	0.118 ( 3.0 )	0.380 ( 9.65 )	6	0.591 ( 15.0 )	0.852 ( 21.65 )	10	1.063 ( 27.0 )	1.325 ( 33.65 )
3	0.236 ( 6.0 )	0.498 ( 12.65 )	7	0.709 ( 18.0 )	0.970 ( 24.65 )	11	1.181 ( 30.0 )	1.443 ( 36.65 )
4	0.354 ( 9.0 )	0.616 ( 15.65 )	8	0.827 ( 21.0 )	1.088 ( 27.65 )	12	1.299 ( 33.0 )	1.561 ( 39.65 )
5	0.472 ( 12.0 )	0.734 ( 18.65 )	9	0.945 ( 24.0 )	1.206 ( 30.65 )			



# .118"(3.0mm) Single Row Right Angle Header, SMT

## 3048-xxS Series Right Angle Header, SMT

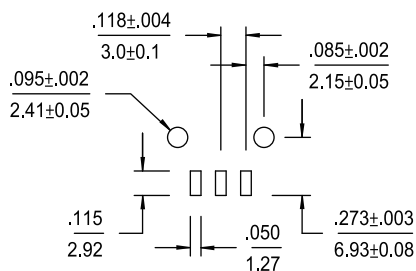
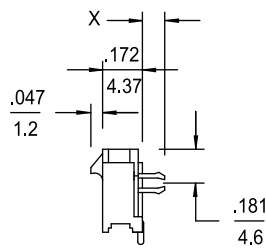
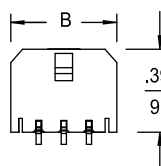
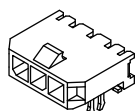
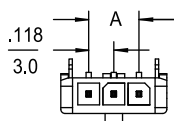
- 2 ~ 12 circuits available
- Plastic material: LCP
- Contact: Tin-plated brass pin
- Mates with ALEX 3025-xxS housing
- Recommended PCB thickness: .062"(1.57mm)

### Ordering Information

Part No.	Feature	inches
		mm
3048-xxSRC-1	With solderable retention clip	2.0
3048-xxSRC-2		3.2
3048-xxSFN	With solderable fitting nail	X

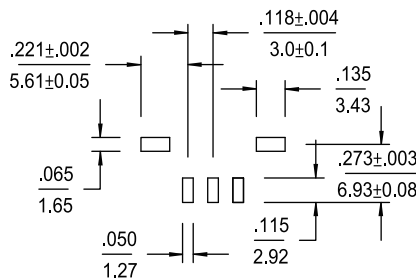
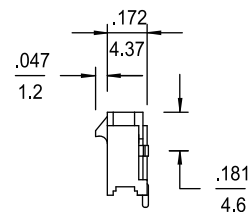
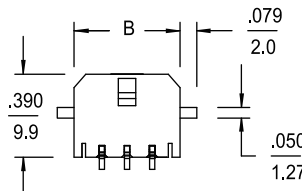
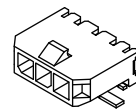
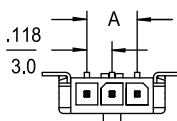
&& xx = 02 ~ 12

### 3048-xxSRC



PCB Layout: Component side

### 3048-xxSFN



PCB Layout: Component side

### Dimensional Information - in ( mm )

Circuits	Dim. A	Dim. B	Circuits	Dim. A	Dim. B	Circuits	Dim. A	Dim. B
2	0.118 ( 3.0)	0.380 ( 9.65)	6	0.591 (15.0)	0.852 (21.65)	10	1.063 (27.0)	1.325 (33.65)
3	0.236 ( 6.0)	0.498 (12.65)	7	0.709 (18.0)	0.970 (24.65)	11	1.181 (30.0)	1.443 (36.65)
4	0.354 ( 9.0)	0.616 (15.65)	8	0.827 (21.0)	1.088 (27.65)	12	1.299 (33.0)	1.561 (39.65)
5	0.472 (12.0)	0.734 (18.65)	9	0.945 (24.0)	1.206 (30.65)			



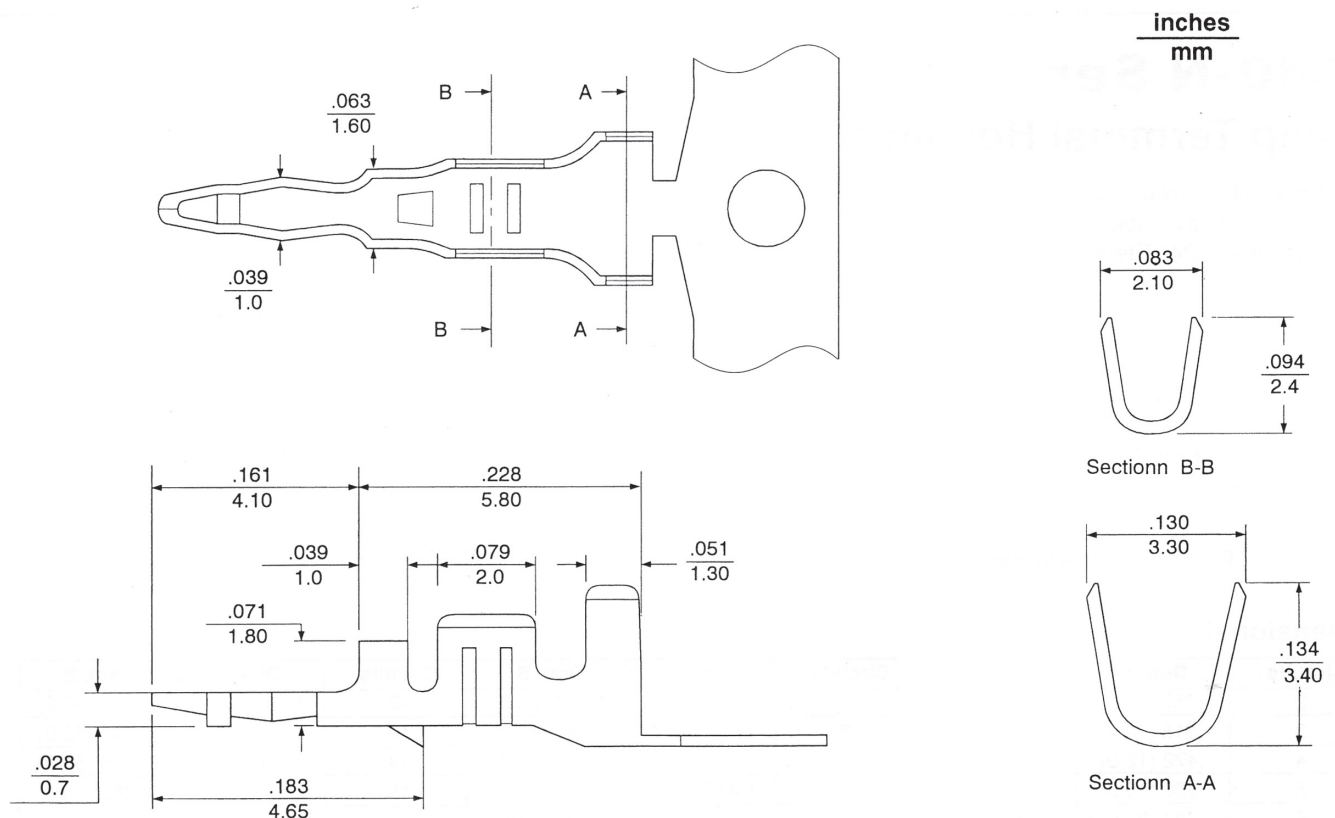
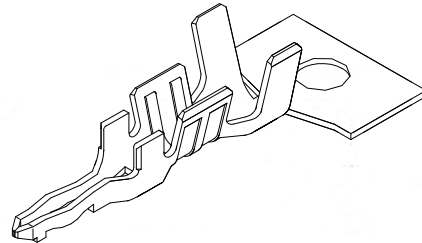
# High Current/High Density Board-In Connector System

## Specification:

- Current Rating: 5A AC, DC
- Voltage Rating: 250V AC, DC
- Ambient Temperature Range: -25°C ~ 85 °C  
(including temperature rise)
- Contact Resistance: Initial value/10mΩ max.  
After environmental testing/20mΩ max.
- Insulation Resistance: 1000MΩ min.
- Dielectric Withstanding Voltage: 1000V AC/minute
- Applicable Wires: AWG #18 ~ #22
- Applicable P.C. board thickness: .063" (1.6mm)
- UL File No. : E114003

## 3240T Series Crimp Terminal

- Used in ALEX 9532-N, 9540-N series housings
- Applicable Wires: AWG #18 ~ #22
- Material: Tin-plated brass
- Thickness: 0.2mm
- Isolation O.D.: φ 2.6mm (max.)
- Applicable P.C. board Hole Diameter: .039" (1.0mm)

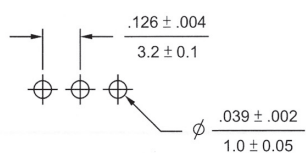




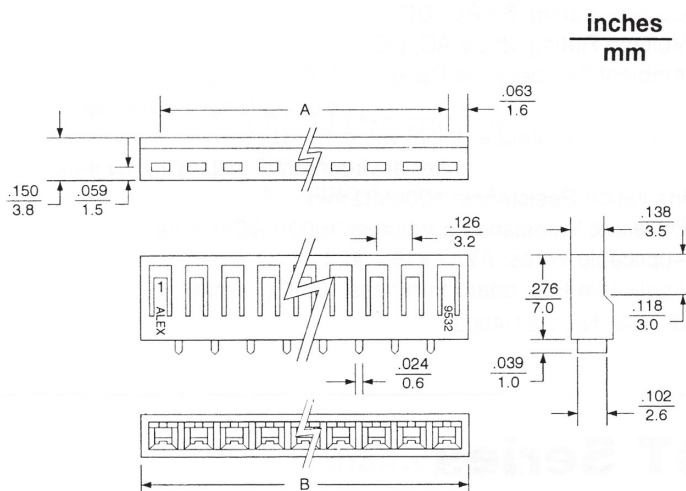
# High Current/High Density Board-In Connector System

## 9532-N Series Crimp Terminal Housing

- Material: 94V-0 nylon 66
- 2 ~ 15 circuits available
- Accepts Alex 3240T terminal



P.C.B. hole dimensions

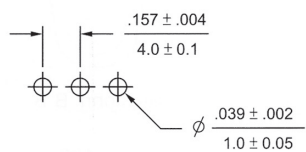


### Dimensional Information - in. (mm)

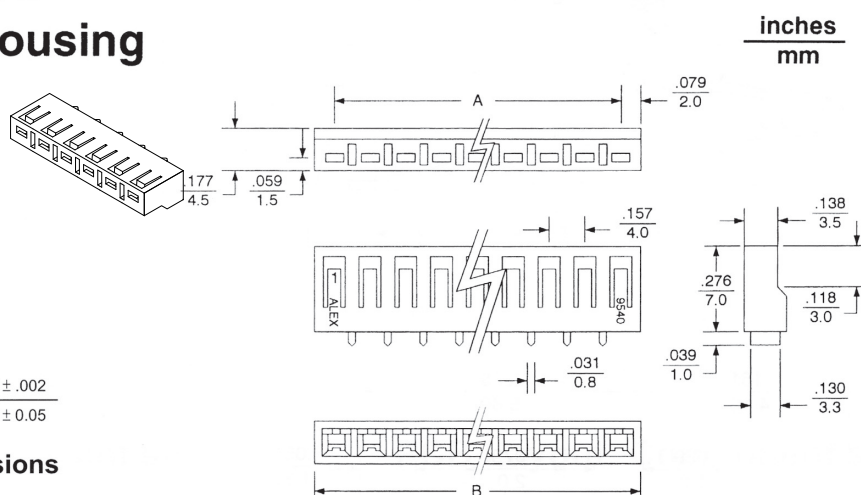
Circuits	Dim. A	Dim. B	Circuits	Dim. A	Dim. B	Circuits	Dim. A	Dim. B
2	.126 ( 3.2)	.252 ( 6.4)	7	.756 (19.2)	.882 (22.4)	12	1.386 (35.2)	1.512 (38.4)
3	.252 ( 6.4)	.378 ( 9.6)	8	.882 (22.4)	1.008 (25.6)	13	1.512 (38.4)	1.638 (41.6)
4	.378 ( 9.6)	.504 (12.8)	9	1.008 (25.6)	1.134 (28.8)	14	1.638 (41.6)	1.764 (44.8)
5	.504 (12.8)	.630 (16.0)	10	1.134 (28.8)	1.260 (32.0)	15	1.764 (44.8)	1.890 (48.0)
6	.630 (16.0)	.756 (19.2)	11	1.260 (32.0)	1.386 (35.2)			

## 9540-N Series Crimp Terminal Housing

- Material: 94V-0 nylon 66
- 2 ~ 15 circuits available
- Accepts Alex 3240T terminal



P.C.B. hole dimensions



### Dimensional Information - in. (mm)

Circuits	Dim. A	Dim. B	Circuits	Dim. A	Dim. B	Circuits	Dim. A	Dim. B
2	.157 ( 4.0)	.315 ( 8.0)	7	.945 (24.0)	1.102 (28.0)	12	1.732 (44.0)	1.890 (48.0)
3	.315 ( 8.0)	.472 (12.0)	8	1.102 (28.0)	1.260 (32.0)	13	1.890 (48.0)	2.047 (52.0)
4	.472 (12.0)	.630 (16.0)	9	1.260 (32.0)	1.417 (36.0)	14	2.047 (52.0)	2.205 (56.0)
5	.630 (16.0)	.787 (20.0)	10	1.417 (36.0)	1.575 (40.0)	15	2.205 (56.0)	2.362 (60.0)
6	.787 (20.0)	.945 (24.0)	11	1.575 (40.0)	1.732 (44.0)			



# .138"(3.50mm) Crimp Terminal Housing

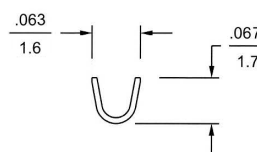
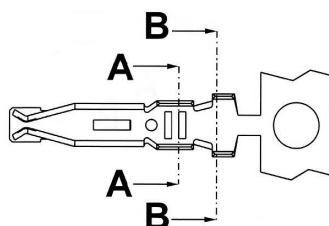
## Specifications:

- Current rating: 1AAC, DC
- Voltage rating: 1400V AC, DC
- Dielectric withstanding voltage: 3800V AC/minute
- Insulation resistance: 1000MΩ Min.
- Contact resistance: 20mΩ Max.  
After environmental testing /40mΩ Max.
- Ambient temperature range: -25 °C ~ 85 °C  
(including temperature rise)

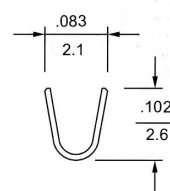
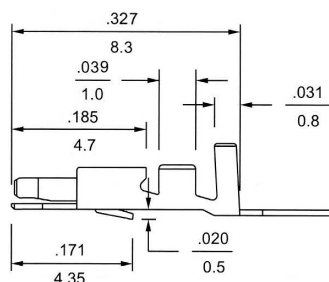
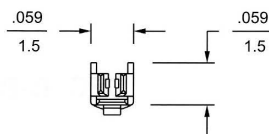
## 3501T Series Female Crimp Terminal

inches  
mm

- Material: Phosphor bronze
- Finished: Tin-plated
- Used in ALEX 3503-02 housing
- Wire range: #24 ~ #28 AWG
- Thickness: 0.2mm



SEC. A-A

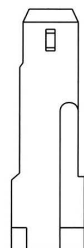
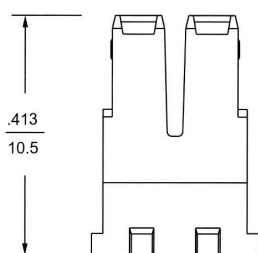
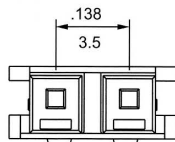


SEC. B-B

## 3503-02 Crimp Terminal Housing

inches  
mm

- Material: UL 94V-0 nylon 66
- Accepts ALEX 3501T terminal
- Mates with ALEX 3504-02 housing
- Mates with ALEX 3505-02, 3506-02 headers



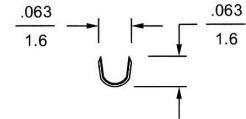
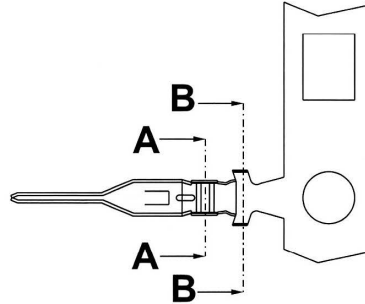


# .138"(3.50mm) Crimp Terminal Housing

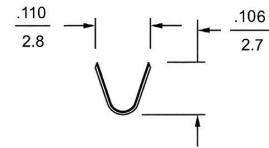
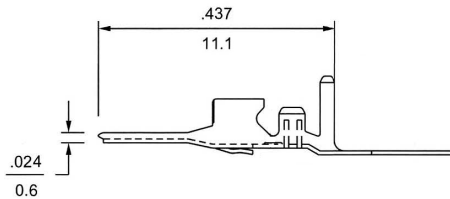
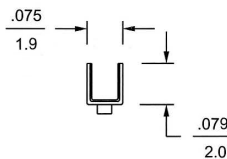
## 3502T Male Crimp Terminal

inches  
mm

- Material: Phosphor bronze
- Finished: Tin-plated
- Used in ALEX 3504-02 housing
- Wire range: #24 ~ #28 AWG
- Thickness: 0.2mm



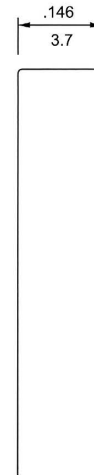
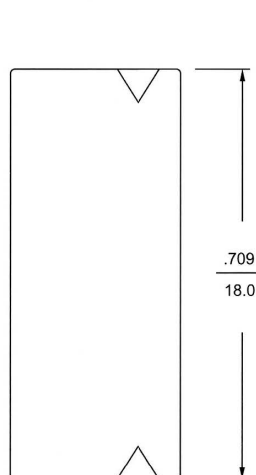
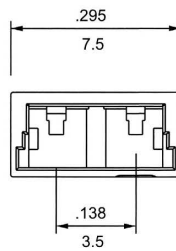
SEC. A-A



SEC. B-B

## 3504-02 Crimp Terminal Housing

- Material: UL 94V-0 nylon 66
- Accepts ALEX 3502T terminal
- Mates with ALEX 3503-02 housing

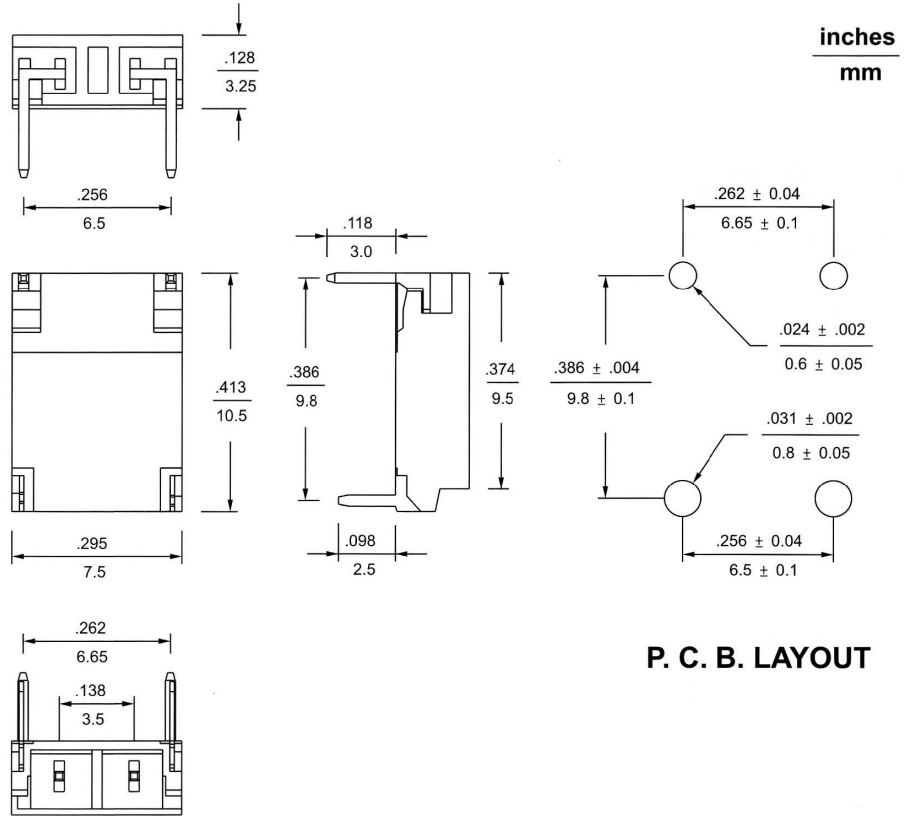




# .138"(3.50mm) Right Angle Header

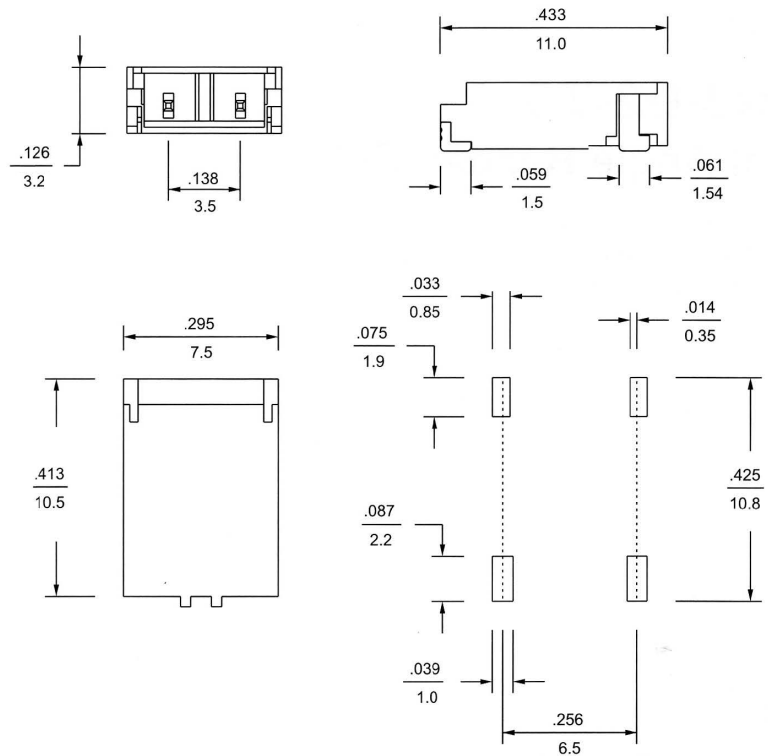
## 3505-02 Right Angle Header

- Pin material: Tin-plated brass
- Solder pin material: Tin-plated brass
- Plastic material: UL 94V-0, Nylon 6T
- Mates with ALEX 3503-02 housing



## 3506-02 Right Angle Header, SMT

- Pin material: Tin-plated brass
- Solder pin material: Tin-plated brass
- Plastic material: UL 94V-0, Nylon 9T
- Mates with ALEX 3503-02 housing





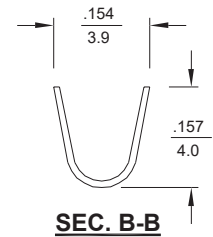
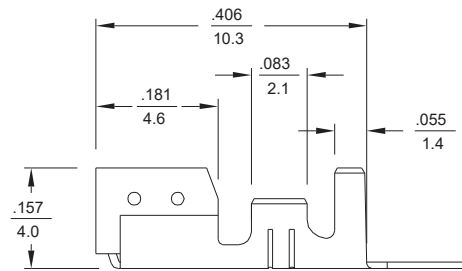
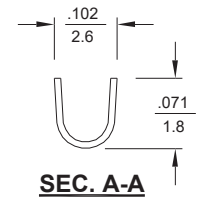
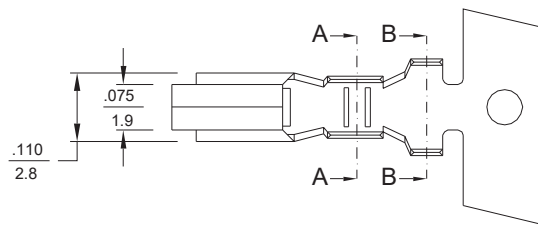
# .138" (3.5mm) Crimp Terminal Housing

## Specification:

- Current rating: 5.5A AC, DC
- Voltage rating: 250V AC, DC
- Contact resistance: 10mΩ Max.
- Insulation resistance: 1000MΩ Min.
- Dielectric withstanding voltage: 1500V AC/minute
- Ambient temperature range: -40°C ~ 105°C

## 3511T Crimp Terminal

- Used in ALEX 3512-N housing
- Wire range: #22 ~ #28 AWG
- Thickness: 0.25 mm



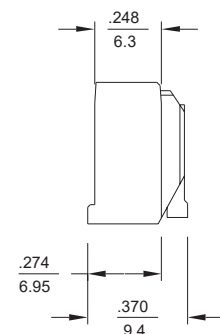
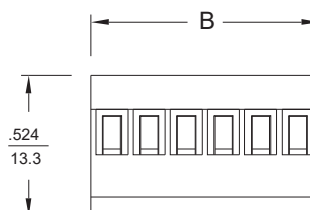
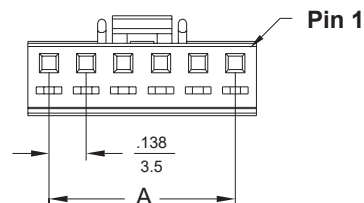
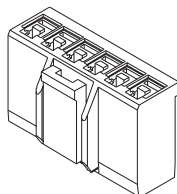
### Ordering Information

Part No.	Material	Finished
3511T	Brass	Tin-plated
3511TP	Phosphor bronze	
3511T-xGF	Brass	Gold-flash
3511TP-xGF	Phosphor bronze	

&& x means the "u" of gold-flash

## 3512-N Series Crimp Terminal Housing

- 2 ~ 15 circuits available
- Material: UL 94V-0 nylon 66
- Accepts ALEX 3511T terminal
- Mates with ALEX 3513-N, 3514-N headers
- Color: White



### Dimensional Information ( mm )

Circuits	Dim. A	Dim. B
N	3.5 x ( N - 1 )	3.5 x N + 0.5

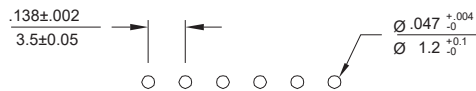
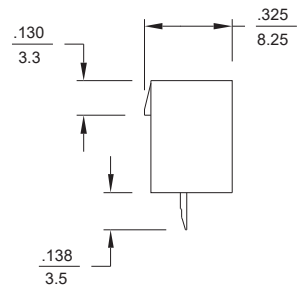
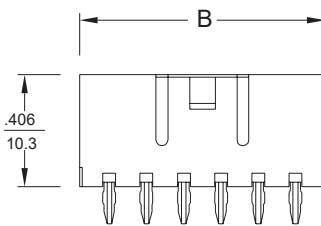
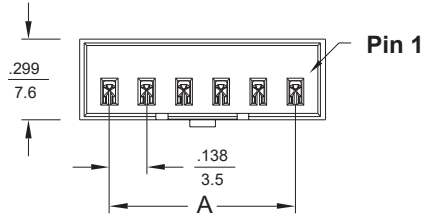
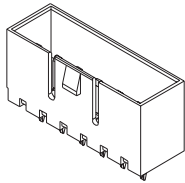
&& N = 2 ~ 15



# .138" (3.5mm) Crimp Terminal Housing

## 3513-N Series Vertical Header

- 2 ~ 15 circuits available
- Material: PBT + 15%GF, UL 94V-0
- Tin-plated brass pin
- Mates with ALEX 3512-N housing
- Color: White



### Dimensional Information ( mm )

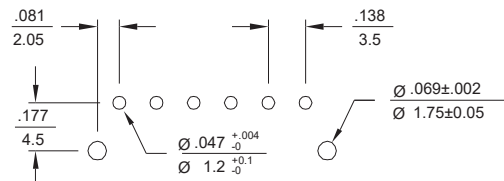
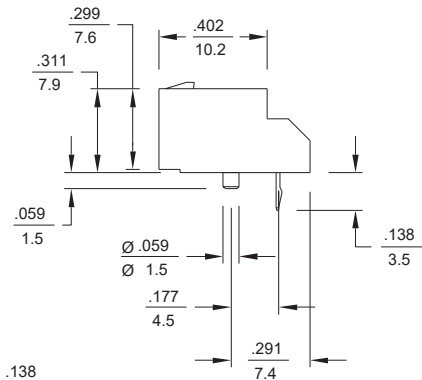
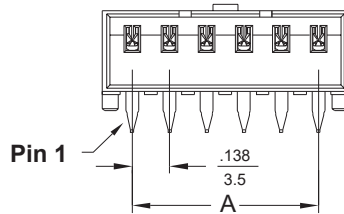
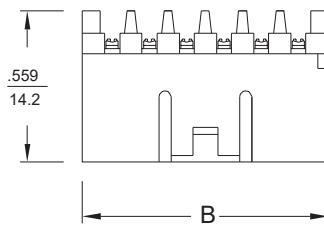
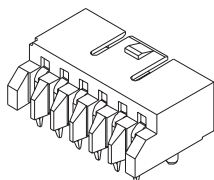
Circuits	Dim. A	Dim. B
N	3.5 x (N - 1)	3.5 x N + 2.1

&& N = 2 ~ 15

Recommended P. C. B. hole dimension

## 3514-N Series Right Angle Header

- 2 ~ 15 circuits available
- Material: PBT + 15%GF, UL 94V-0
- Tin-plated brass pin
- Mates with ALEX 3512-N housing
- Color: White



### Dimensional Information ( mm )

Circuits	Dim. A	Dim. B
N	3.5 x (N - 1)	3.5 x N + 2.1

&& N = 2 ~ 15

Recommended P. C. B. hole dimension



# .138" (3.5mm) Wire-to-Board Connector

## Specification:

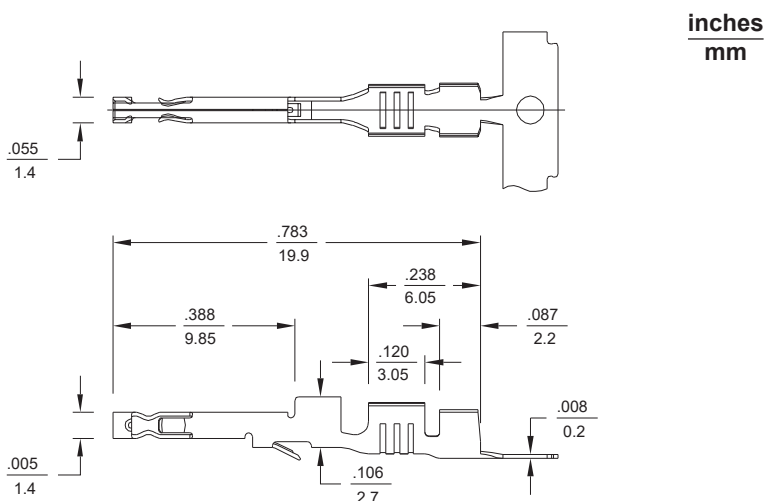
- Current rating: 14A at #16 AWG for 2 poles  
8A at #16 AWG for other poles
- Voltage rating: 400V AC (RMS) or 400V DC Max.
- Dielectric withstanding voltage: 1800V AC/minute
- Contact resistance: 10mΩ Max.
- Ambient temperature range: -40°C ~ 105°C
- UL file No.: E114003

## 3521T Crimp Terminal

- Material: High conductivity copper alloy
- Finished: Tin-plated over copper
- Used in ALEX 3522-xxS, 3522-xx housings
- Wire range: #16 ~ #22 AWG

### Ordering Information

Part No.	Wire range
3521T1	#20 ~ #22
3521T2	#16 ~ #18

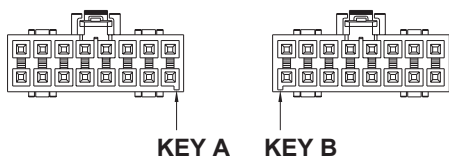


## 3522-xx Series Dual Row Housing

- 4 ~ 16 circuits available
- Material: PA4T
- Accepts ALEX 3521T terminal
- Mates with ALEX 3523-xx, 3524-xx headers
- Accepts ALEX 3522C-xx TPA

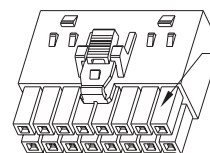
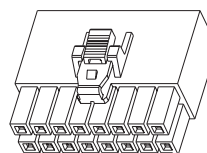
3522-xx-A-TPA

3522-xx-B-TPA



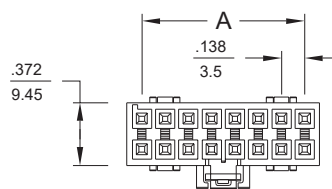
3522-xx-A

3522-xx-A-TPA



Standard

TPA Type



### Dimensional Information ( mm )

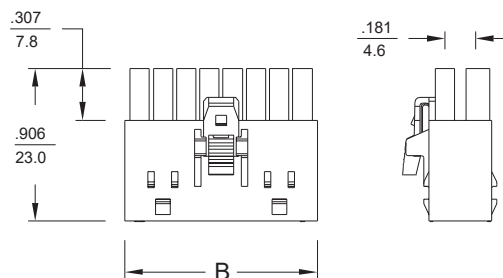
Circuits	Dim. A	Dim. B
N	1.75 x N - 3.5	1.75 x N + 1

&& N = 4 ~ 16

### Ordering Information

Part No.	Feature	Color
3522-xx-A	Standard, KEY A	Black
3522-xx-B	Standard, KEY B	Natural
3522-xx-A-TPA	TPA Type, KEY A	Black
3522-xx-B-TPA	TPA Type, KEY B	Natural

&& xx = 04 ~ 16



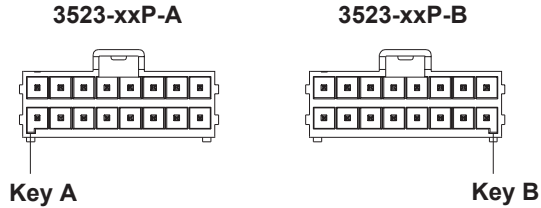


# .138" (3.5mm) Wire-to-Board Connector

## 3523-xx Series Dual Row Vertical Header

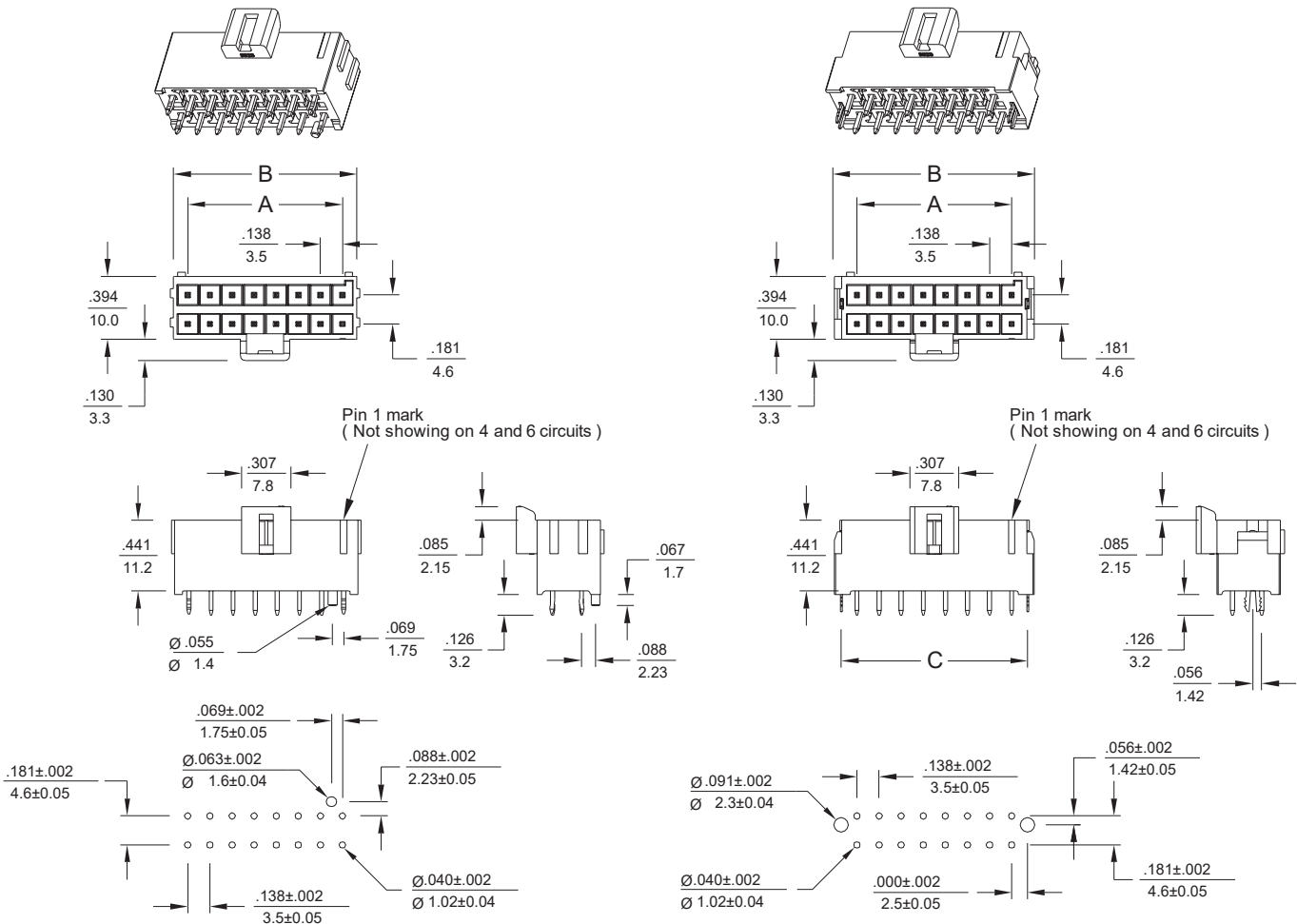
inches  
mm

- 4 ~ 16 circuits available
- Housing material: LCP
- Pin material: High conductivity copper alloy
- Finished: Tin-plated over copper
- .025" (0.64mm) square pin
- Retention clip material: Tin-plated brass
- Mates with ALEX 3522-xx housing



3523-xxP

3523-xxRC



Recommended P. C. board layout

Recommended P. C. board layout

### Dimensional Information ( mm ) 3523-xxP

Circuits	Dim. A	Dim. B
N	1.75 x N - 3.5	1.75 x N + 1

&& N = 4 ~ 16

### Dimensional Information ( mm ) 3523-xxRC

Circuits	Dim. A	Dim. B	Dim. C
N	1.75 x N - 3.5	1.75 x N + 3.6	1.75 x N + 1.5

&& N = 4 ~ 16

### Ordering Information

Part No.	Feature	Color
3523-xxP-A	With post, KEY A	Black
3523-xxP-B	With post, KEY B	Natural
3523-xxRC-A	With retention clip, KEY A	Black
3523-xxRC-B	With retention clip, KEY B	Natural

&& xx = 04 ~ 16

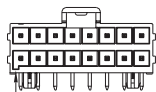


# .138" (3.5mm) Wire-to-Board Connector

## 3524-xx Series Dual Row Right Angle Header

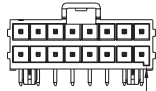
- 4 ~ 16 circuits available
- Housing material: LCP
- Pin material: High conductivity copper alloy
- Finished: Tin-plated over copper
- .025" (0.64mm) square pin
- Mates with ALEX 3522-xx housing

### 3524-xx-A

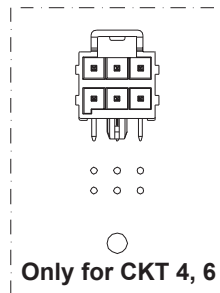


KEY A

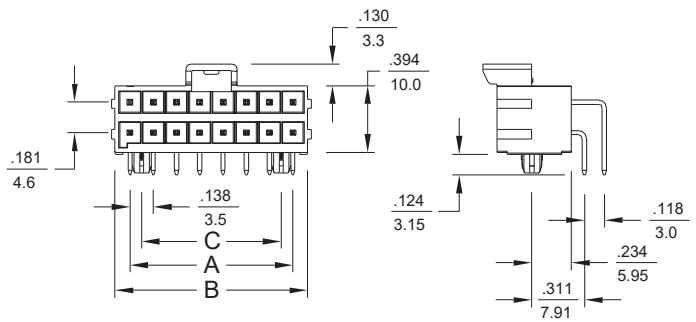
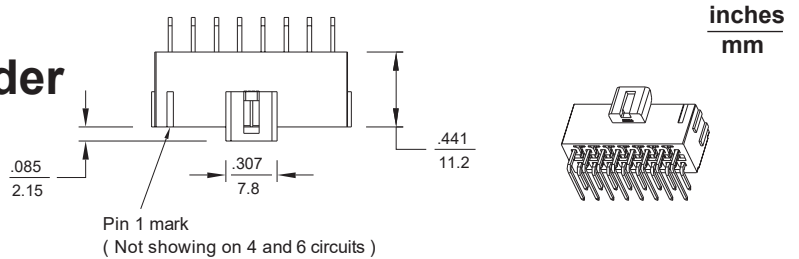
### 3524-xx-B



KEY B



Only for CKT 4, 6



### Ordering Information

Part No.	Feature	Color
3524-xx-A	With post, KEY A	Black
3524-xx-B	With post, KEY B	Natural

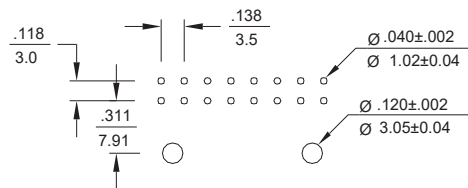
&& xx = 04 ~ 16

### Dimensional Information ( mm )

Circuits	Dim. A	Dim. B	Dim. C
N	1.75 x N - 3.5	1.75 x N + 1	1.75 x N - 7

&& N = 4 ~ 16

Dim C, N = 8 ~ 16



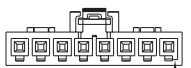
Recommended P. C. board layout

## 3522-xxS Series Crimp Terminal Single Row Housing

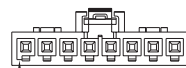
- 2 ~ 8 circuits available
- Material: PA4T
- Accepts ALEX 3521T terminal
- Mates with ALEX 3523-xxS, 3524-xxS headers
- Accepts ALEX 3522C-xx TPA

### 3522-xxS-A-TPA

### 3522-xxS-B-TPA



KEY A



KEY B

### Dimensional Information ( mm )

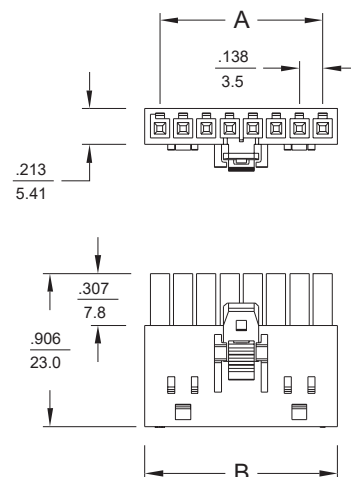
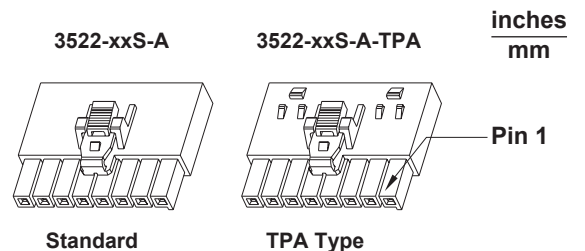
Circuits	Dim. A	Dim. B
N	3.5 x ( N - 1 )	3.5 x N + 1

&& N = 2 ~ 8

### Ordering Information

Part No.	Feature	Color
3522-xxS-A	Standard, KEY A	Black
3522-xxS-B	Standard, KEY B	Natural
3522-xxS-A-TPA	TPA Type, KEY A	Black
3522-xxS-B-TPA	TPA Type, KEY B	Natural

&& xx = 02 ~ 08



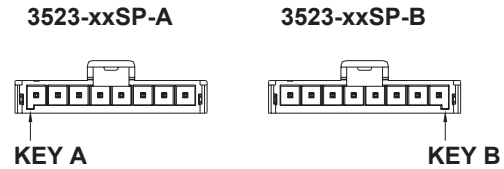


# .138"(3.5mm) Wire-to-Board Connector

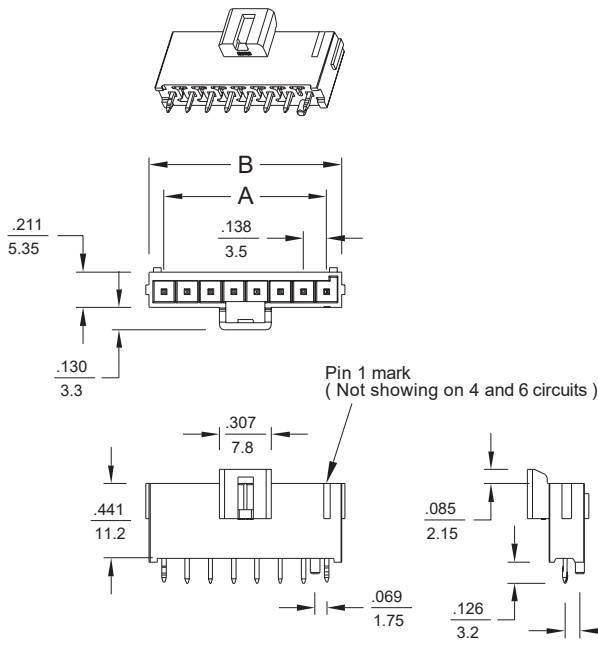
## 3523-xxS Series Vertical Single Row Header

inches  
mm

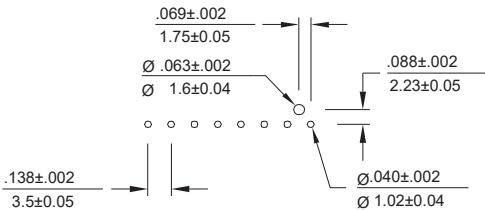
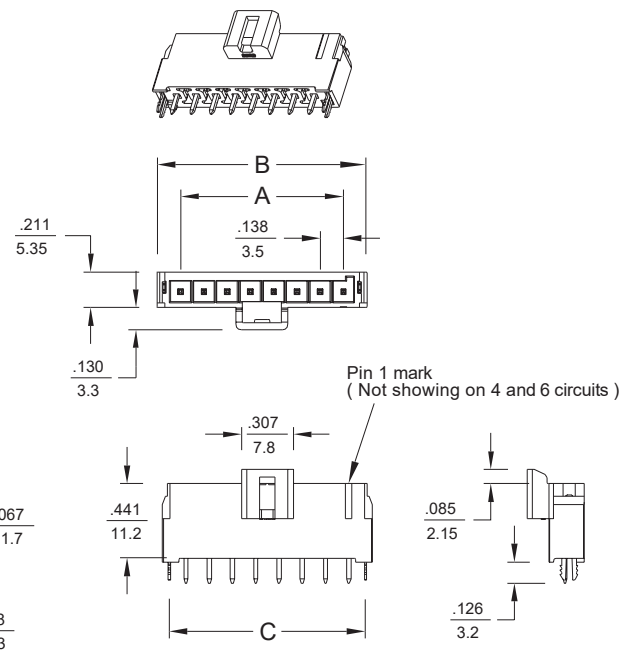
- 2 ~ 8 circuits available
- Housing material: LCP
- Pin material: High conductivity copper alloy
- Finished: Tin-plated over copper
- .025"(0.64mm) square pin
- Retention clip material: Tin-plated brass
- Mates with ALEX 3522-xxS housing



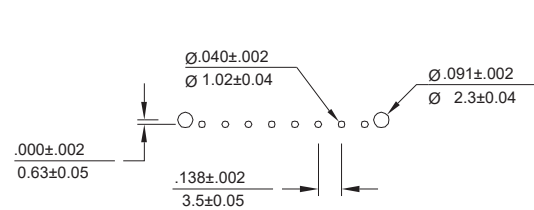
3523-xxSP



3523-xxSRC



Recommended P. C. board layout



Recommended P. C. board layout

### Dimensional Information ( mm ) 3523-xxSP

Circuits	Dim. A	Dim. B
N	3.5 x ( N - 1 )	3.5 x N + 1

&& N = 2 ~ 8

### Dimensional Information ( mm ) 3523-xxSRC

Circuits	Dim. A	Dim. B	Dim. C
N	3.5 x ( N - 1 )	3.5 x N + 3.6	3.5 x N + 1.5

&& N = 2 ~ 8

### Ordering Information

Part No.	Feature	Color
3523-xxSP-A	With post, KEY A	Black
3523-xxSP-B	With post, KEY B	Natural
3523-xxSRC-A	With retention clip, KEY A	Black
3523-xxSRC-B	With retention clip, KEY B	Natural

&& xx = 02 ~ 08

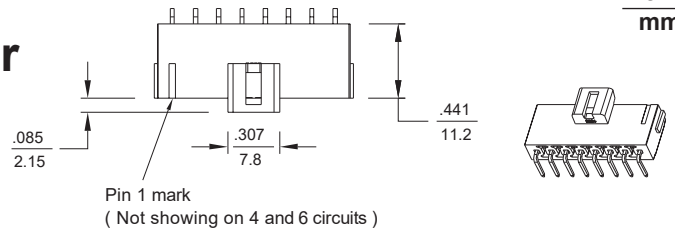


# .138" (3.5mm) Wire-to-Board Connector

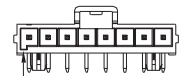
## 3524-xxS Series Single Row Right Angle Header

inches  
mm

- 2 ~ 8 circuits available
- Housing material: LCP
- Pin material: High conductivity copper alloy
- Finished: Tin-plated over copper
- .025" (0.64mm) square pin
- Mates with ALEX 3522-xxS housing

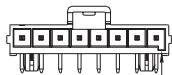


### 3524-xx-A

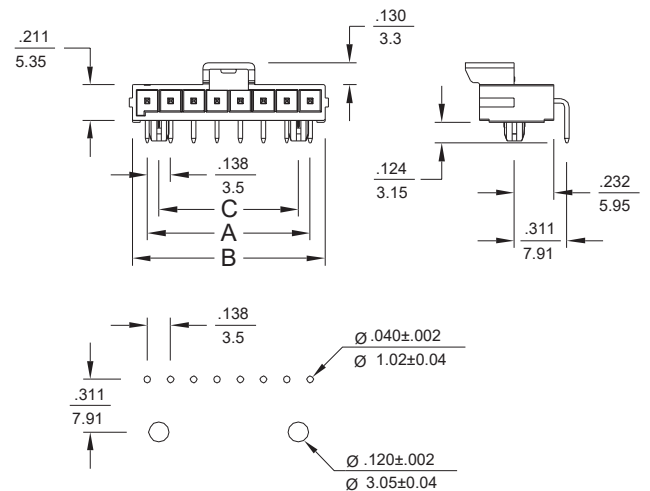
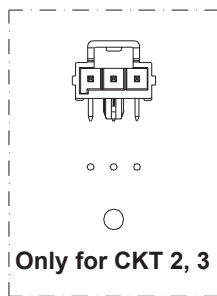


KEY A

### 3524-xx-B



KEY B



### Ordering Information

Part No.	Feature	Color
3524-xxS-A	With post, KEY A	Black
3524-xxS-B	With post, KEY B	Natural

&& xx = 02 ~ 08

### Dimensional Information ( mm )

Circuits	Dim. A	Dim. B	Dim. C
N	3.5 x ( N - 1 )	3.5 x N + 1	3.5 x N - 7

&& N = 2 ~ 8

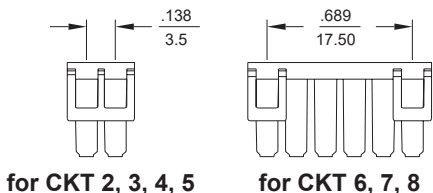
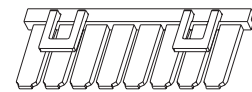
Dim C, N = 4 ~ 8

Recommended P. C. board layout

## 3522C-xx Series Crimp Terminal Housing TPA

inches  
mm

- 2 ~ 8 circuits available
- Material: UL 94V-0 nylon 66
- Mates with ALEX 3522-xx-TPA, 3522-xxS-TPA housings



### Ordering Information

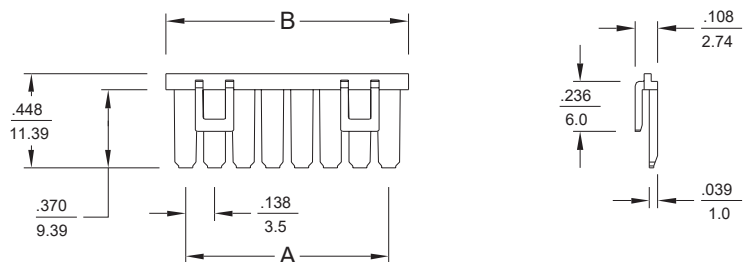
Part No.	Color
3522C-xx-A	Black
3522C-xx-B	Natural

&& xx = 02 ~ 08

### Dimensional Information ( mm )

Circuits	Dim. A	Dim. B
N	3.5 x ( N - 1 )	3.5 x N + 1.1

&& N = 2 ~ 8





# .156"(3.96mm) Board-In Type Connectors

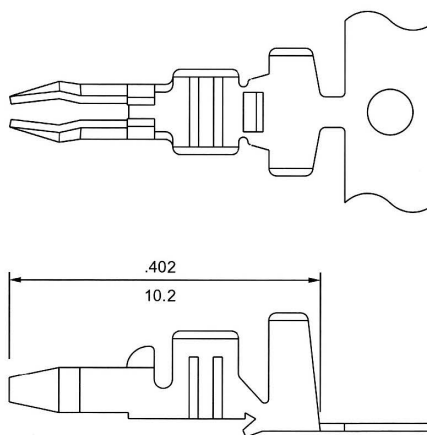
## Specifications:

- Current rating: 5A AC, DC
- Voltage rating: 300V AC, DC
- Insulation resistance: 1000MΩ min.
- Withstanding voltage: 1500V AC/minute
- Applicable P. C. B. thickness: .063"(1.6mm)
- Temperature rise: -40 °C ~ 100 °C max.
- UL file No. : E114003

## 3594T Series Crimp Terminal

inches  
mm

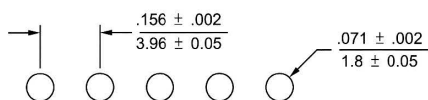
- Material: Brass
- Finished: Tin-plated
- Used in ALEX 3595-N series housing
- Wire range: AWG #16 ~ #22
- Thickness: 0.25mm



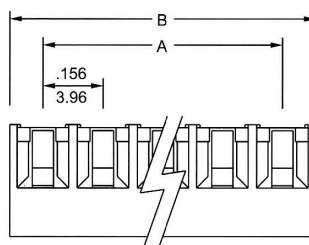
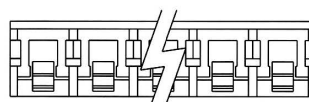
## 3595-N Series Crimp Terminal Housing

inches  
mm

- 2 ~ 15 circuits available
- Material: UL 94V-0 nylon 66
- Color: White
- Accepts ALEX 3594T terminal



P. C. board hole dimensions



### Dimensional Information - in ( mm )

Circuits	Dim. A	Dim. B	Circuits	Dim. A	Dim. B	Circuits	Dim. A	Dim. B
2	0.156 ( 3.96)	0.337 ( 8.56)	7	0.935 (23.76)	1.117 (28.36)	12	1.715 (43.56)	1.896 (48.16)
3	0.312 ( 7.92)	0.493 (12.52)	8	1.091 (27.72)	1.272 (32.32)	13	1.871 (47.52)	2.052 (52.12)
4	0.468 (11.88)	0.649 (16.48)	9	1.247 (31.68)	1.428 (36.28)	14	2.027 (51.48)	2.208 (56.08)
5	0.624 (15.84)	0.805 (20.44)	10	1.403 (35.64)	1.584 (40.24)	15	2.183 (55.44)	2.364 (60.04)
6	0.780 (19.80)	0.961 (24.40)	11	1.559 (39.60)	1.740 (44.20)			

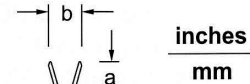
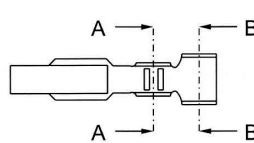


# .156" (3.96mm) Crimp Terminal

## 23T Series

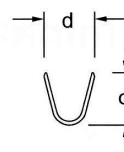
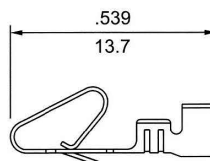
### Crimp Terminal

- Material: Brass
- Finished: Tin-plated
- Used in ALEX 8639 series housings



inches  
mm

**SEC. A-A**



**SEC. B-B**

#### Ordering Information

Part No.	Dimensions				Wire range	Thickness	Type	Q'ty/Reel
	a	b	c	d				
23T-1203	1.7	2.2	2.4	2.7	#22 ~ #26	0.25	End-Chain	7000
23T-1204						0.3		
23T-6203	2.4	2.5	3.4	3.65	#18 ~ #20	0.25		6000
23T-6204						0.3		

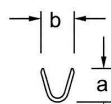
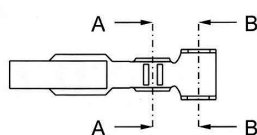
## 24T Series

### Crimp Terminal

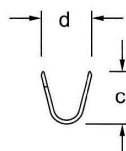
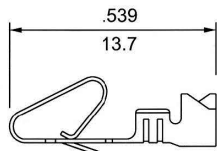
inches  
mm

- Material: Brass
- Finished: Tin-plated
- Used in ALEX 8500-06, 8639 series housings

#### Double cantilever design

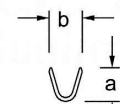
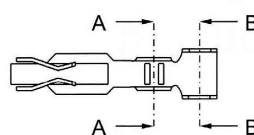


**SEC. A-A**

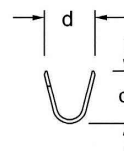
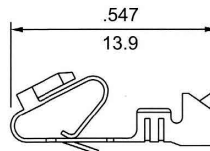


**SEC. B-B**

#### Trifurcon design



**SEC. A-A**



**SEC. B-B**

#### Ordering Information - in ( mm )

Part No.	Dimensions				Wire range	Thickness	Type	Q'Ty/Reel	Style
	A	B	C	D					
24T-0204	.095 (2.4)	.091 (2.3)	.142 (3.6)	.134 (3.4)	#18 ~ #24	.012 ( 0.3)	Loose	6000	Double cantilever design
24T-1204							End-Chain		
24T-2204							Middle-Chain		
24T-12K3	.079 (2.0)	.102 (2.6)	.138 (3.5)	.130 (3.3)	#18 ~ #22	.010 (0.25)	End-Chain	7000	Trifurcon design



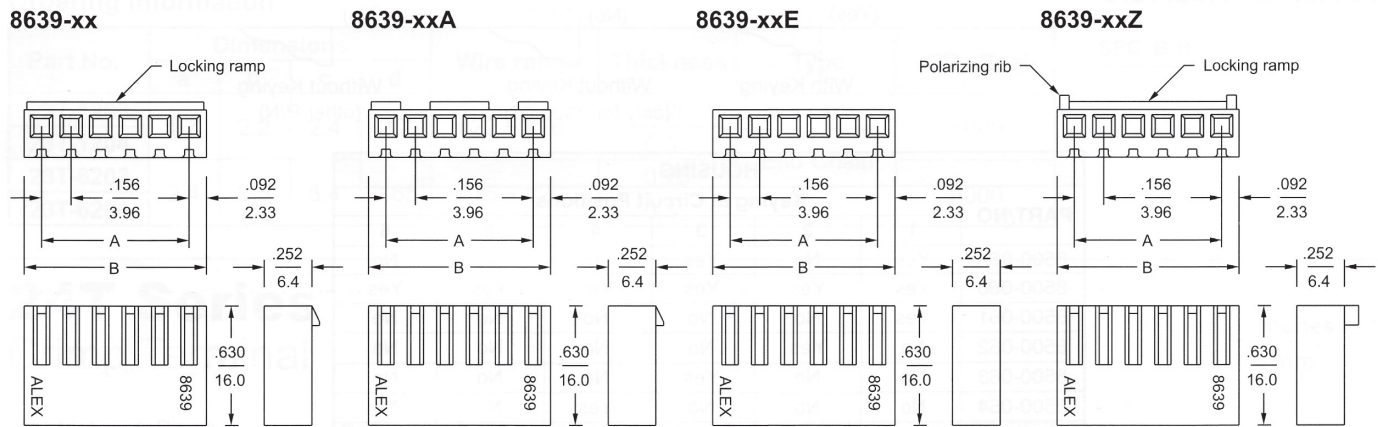
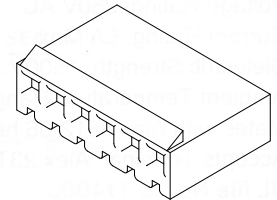
# .156" (3.96mm) Center Crimp Terminal Housing

## 8639-N Series Crimp Terminal Housing

inches  
mm

- 2 ~ 20 circuits available
- UL 94V-2 nylon 66
- Accepts ALEX 23T, 24T series terminals
- Mates with ALEX K-396-2 key
- Mates with ALEX 8671, 8672, 8673, 8674 headers

- UL file No.: E114003
- TUV file No.: R 9854382

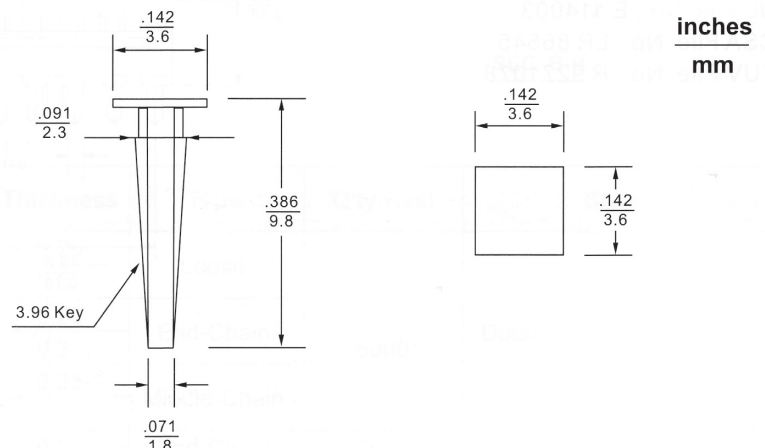


### Dimensional Information - in ( mm )

Circuits	Dim. A	Dim. B	Circuits	Dim. A	Dim. B	Circuits	Dim. A	Dim. B
2	0.156 ( 3.96 )	0.339 ( 8.62 )	10	1.403 ( 35.64 )	1.587 ( 40.30 )	18	2.650 ( 67.32 )	2.834 ( 71.98 )
3	0.312 ( 7.92 )	0.495 ( 12.58 )	11	1.559 ( 39.60 )	1.743 ( 44.26 )	19	2.805 ( 71.28 )	2.990 ( 75.94 )
4	0.468 ( 11.88 )	0.651 ( 16.54 )	12	1.715 ( 43.56 )	1.898 ( 48.22 )	20	2.962 ( 75.24 )	3.146 ( 79.90 )
5	0.624 ( 15.84 )	0.807 ( 20.50 )	13	1.871 ( 47.52 )	2.054 ( 52.18 )			
6	0.780 ( 19.80 )	0.963 ( 24.46 )	14	2.027 ( 51.48 )	2.210 ( 56.14 )			
7	0.935 ( 23.76 )	1.119 ( 28.42 )	15	2.183 ( 55.44 )	2.366 ( 60.10 )			
8	1.091 ( 27.72 )	1.275 ( 32.38 )	16	2.339 ( 59.40 )	2.522 ( 64.06 )			
9	1.247 ( 31.68 )	1.431 ( 36.34 )	17	2.494 ( 63.36 )	2.678 ( 68.02 )			

## K-396-2 Housing Polarizing Key

- UL 94V-2 nylon 66
- Color: Nature
- Mate with ALEX 8639 series housing
- UL File No. : E114003





# .156" (3.96mm) Crimp Terminal Housing

## Specifications:

- Current rating: 7A
- Voltage rating: 250V AC (R.M.S.)
- Dielectric strength: 1500V AC/minute
- Insulation resistance: 1000MΩ Min.
- Ambient temperature range: -40 °C ~ 105 °C (including temperature rise)
- UL file No. : E114003

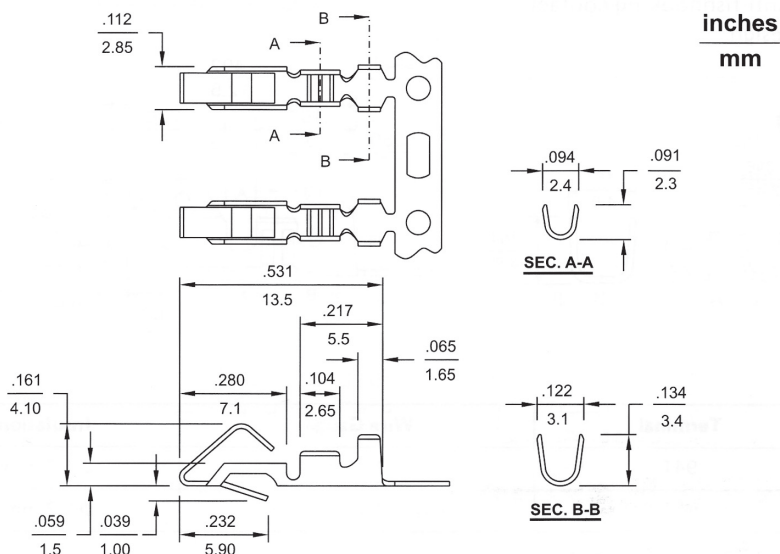
## 24T-1xU4 Series Crimp Terminal

- Material: Brass
- Used in ALEX 8639-xx-R housing
- Wire range: #18 ~ #24 AWG
- Thickness: 0.3mm

### Ordering Information

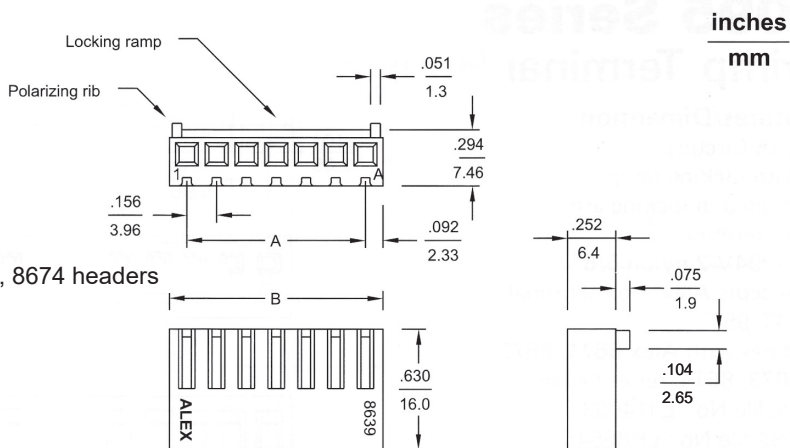
Part No.	Finished
24T-12U4	Tin-plated
24T-1EU4-xGC	Gold flash on contact area Others: Tin-plated

&& x means the u" of gold flash

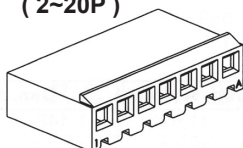


## 8639-xx-R Series Crimp Terminal Housing

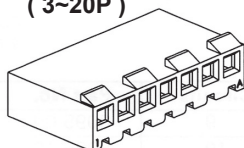
- 2 ~ 20 circuits available
- UL 94V-0 nylon 66
- Accepts ALEX 24T-1xU4 terminal
- Mates with ALEX K-396-2 key
- Mates with ALEX 3960, 3961, 8671, 8672, 8673, 8674 headers
- UL file No.: E114003
- TUV file No.: R 9854382



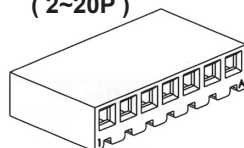
8639-xx-R (2~20P)



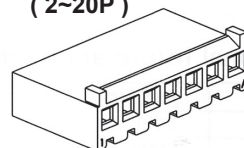
8639-xxA-R (3~20P)



8639-xxE-R (2~20P)



8639-xxZ-R (2~20P)



### Dimensional Information ( mm )

Circuits	Dim. A	Dim. B
N	3.96 x ( N - 1 )	3.96 x N + 0.7

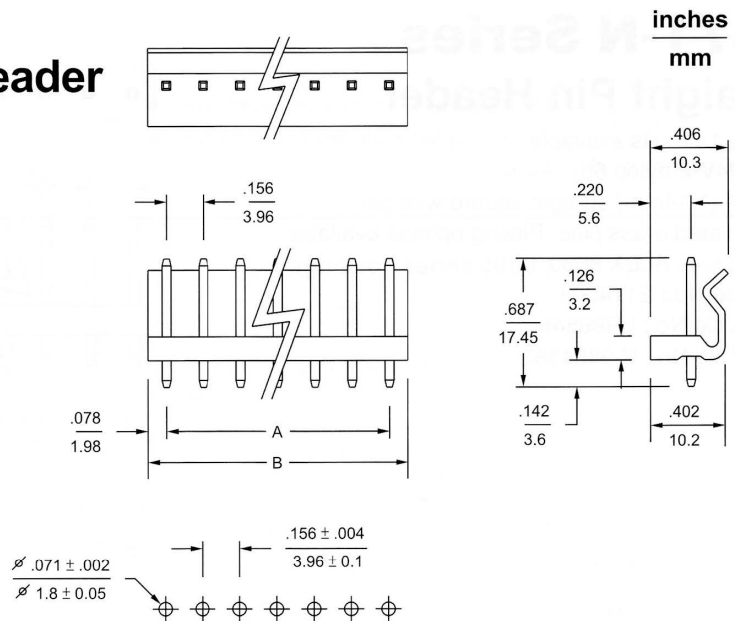
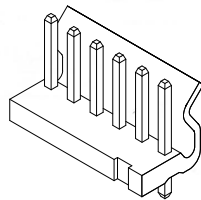
&& N = 2 ~ 20



# .156"(3.96mm) Center Header

## 8673 Series Straight Pin Friction Lock Header

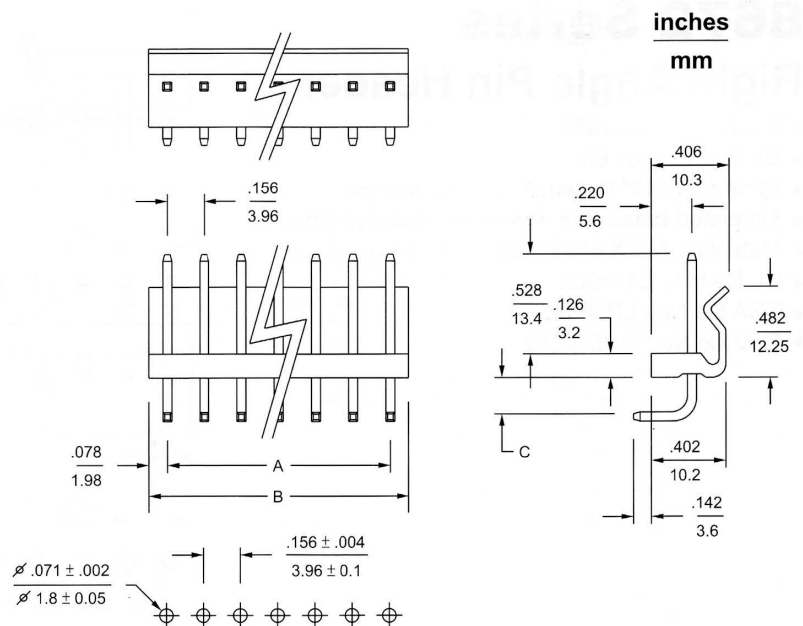
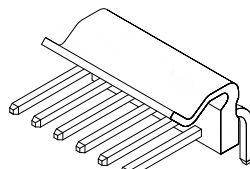
- 2 ~ 25 circuits available
- UL 94V-2 nylon 66
- .045"(1.14mm) square pin
- Tin plated brass pin. Plating options available
- Mates with ALEX 8639, 8095 series housings
- UL file No.: E114003
- TUV file No.: R 9854382



P. C. B. hole dimensions

## 8674 Series Right Angle Pin Friction Lock Header

- 2 ~ 25 circuits available
- UL 94V-2 nylon 66
- .045"(1.14mm) square pin
- Tin plated brass pin. Plating options available
- Mates with ALEX 8639, 8095 series housings
- UL file No.: E114003
- TUV file No.: R 9854382



P. C. B. hole dimensions

### Ordering Information

Part No.	Dim. C
8674-xx-A	3.3
8674-xx-B	5.0

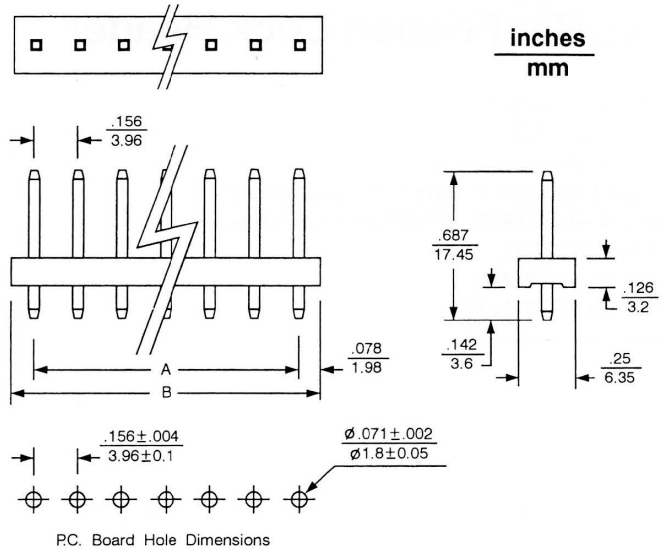
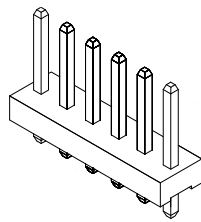
### Dimensional Information - in ( mm ) 8673/8674

Circuits	Dim. A	Dim. B	Circuits	Dim. A	Dim. B	Circuits	Dim. A	Dim. B
2	0.156 ( 3.96)	0.312 ( 7.92)	10	1.403 (35.64)	1.559 (39.60)	18	2.650 (67.32)	2.806 (71.28)
3	0.312 ( 7.92)	0.468 (11.88)	11	1.559 (39.60)	1.715 (43.56)	19	2.806 (71.28)	2.962 (75.24)
4	0.468 (11.88)	0.624 (15.84)	12	1.715 (43.56)	1.871 (47.52)	20	2.962 (75.24)	3.118 (79.20)
5	0.624 (15.84)	0.780 (19.80)	13	1.871 (47.52)	2.027 (51.48)	21	3.118 (79.20)	3.274 (83.16)
6	0.780 (19.80)	0.935 (23.76)	14	2.027 (51.48)	2.183 (55.44)	22	3.274 (83.16)	3.430 (87.12)
7	0.935 (23.76)	1.091 (27.72)	15	2.183 (55.44)	2.339 (59.40)	23	3.430 (87.12)	3.586 (91.08)
8	1.091 (27.72)	1.247 (31.68)	16	2.339 (59.40)	2.494 (63.36)	24	3.586 (91.08)	3.742 (95.04)
9	1.247 (31.68)	1.403 (35.64)	17	2.494 (63.36)	2.650 (67.32)	25	3.742 (95.04)	3.898 (99.00)

# .156" (3.96mm) Headers

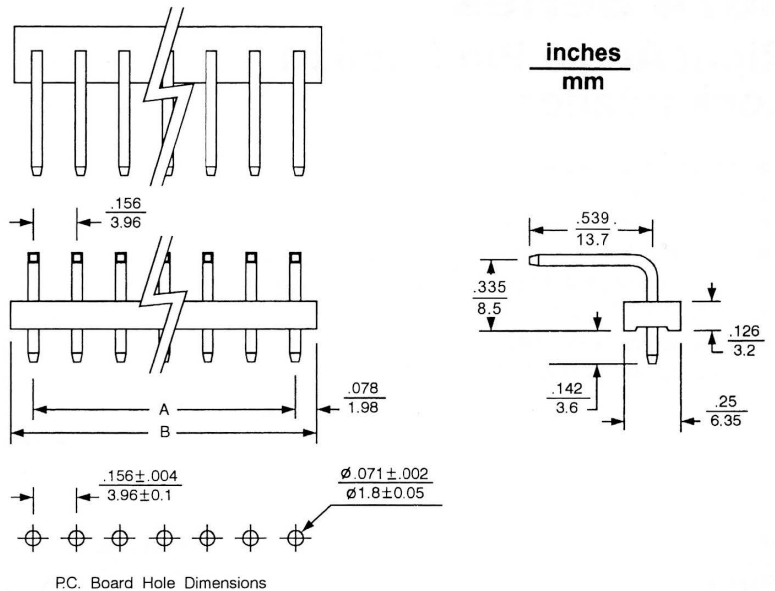
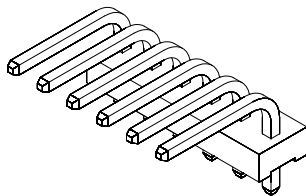
## 8671-N Series Straight Pin Header

- 2 ~ 12 circuits available
- UL 94V-2 nylon 66
- .045" (1.14mm) straight square wire pin
- Tin plated brass pins. Plating options available
- Mate with ALEX 8639, 8095 series housings
- UL file No.: E114003
- TUV file No.: R 9854382



## 8672 Series Right Angle Pin Header

- 2 ~ 12 circuits available
- UL 94V-2 nylon 66
- Rt. angle .045" (1.14mm) square wire pin
- Tin plated brass pins. Plating options available
- Mate with ALEX 8639, 8095 series housings
- UL file No.: E114003
- TUV file No.: R 9854382



### Dimensional Information - in ( mm )

Circuits	Dim. A	Dim. B	Circuits	Dim. A	Dim. B
2	0.156 ( 3.96)	0.312 ( 7.92)	8	1.091 (27.72)	1.247 (31.68)
3	0.312 ( 7.92)	0.468 (11.88)	9	1.247 (31.68)	1.403 (35.64)
4	0.468 (11.88)	0.624 (15.84)	10	1.403 (35.64)	1.559 (39.60)
5	0.624 (15.84)	0.780 (19.80)	11	1.559 (39.60)	1.715 (43.56)
6	0.780 (19.80)	0.935 (23.76)	12	1.715 (43.56)	1.871 (47.52)
7	0.935 (23.76)	1.091 (27.72)			



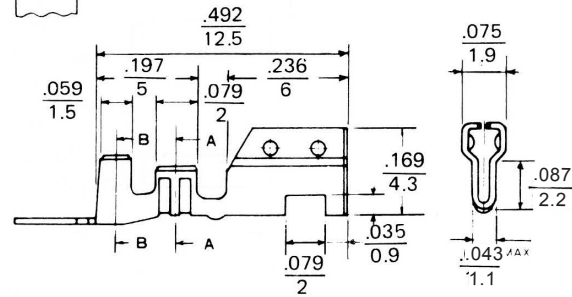
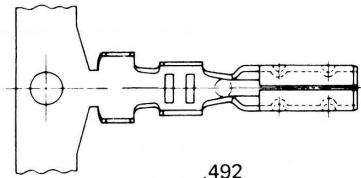
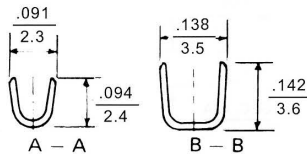
# Standard Spox Crimp Terminal

## 94T/95T Series Crimp Terminal

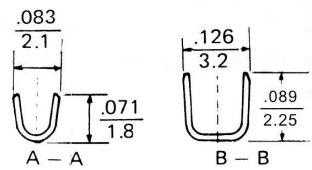
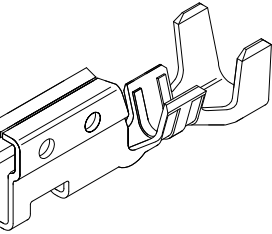
### Features/Dimensions

- 4 point contact
- Used in Alex 8095, 8097, 8099 series housings
- Wire range: #18-#28 AWG
- Anti-fishhooking contact design

94T



95T

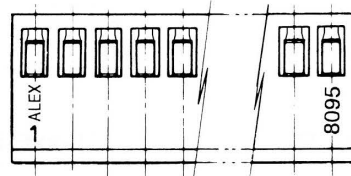
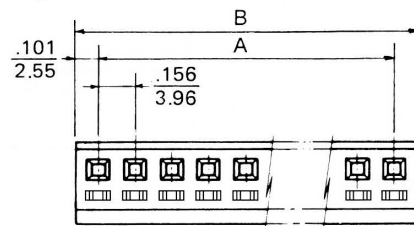


Terminal	Wire Gauge	Insulation Diameter	Contact Material
94T	AWG #18 ~ #22	φ 2.6mm ~ 3,2 mm	Tin Plated Brass
95T	AWG #22 ~ #28	φ 1,2 mm ~ 2,6 mm	

## 8095 Series Crimp Terminal Housing

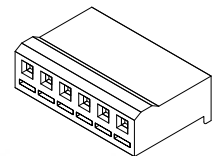
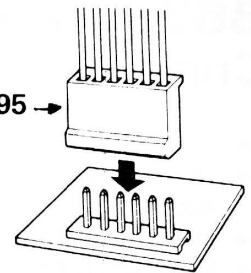
### Features/Dimensions

- 2-15 Circuits
- With locking ramp
- Molded in locking arm for terminal
- UL 94V-2 nylon 66
- Accepts Alex spox terminal 94T/95T
- Mates with Alex 8671, 8672, 8673, 8674, series headers
- UL file No.: E114003



inches  
mm

8095 →



### Dimensional Information - in. (mm)

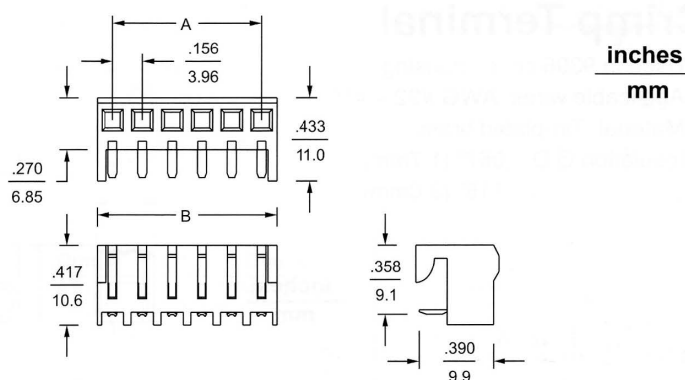
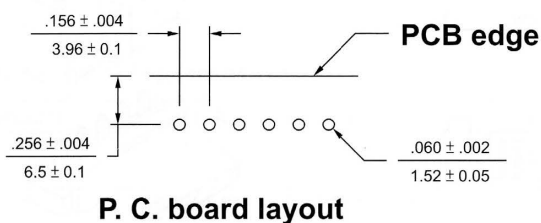
Circuits	Part No.	Dim. A	Dim. B	Circuits	Part No.	Dim. A	Dim. B
2	8095-02	.156 ( 3,96)	.357 ( 9,06)	9	8095-09	1.247 (31,68)	1.448 (36,78)
3	8095-03	.312 ( 7,92)	.513 (13,02)	10	8095-10	1.403 (35,64)	1.604 (40,74)
4	8095-04	.468 (11,88)	.669 (16,98)	11	8095-11	1.560 (39,60)	1.760 (44,70)
5	8095-05	.624 (15,84)	.824 (20,94)	12	8095-12	1.715 (43,56)	1.916 (48,66)
6	8095-06	.780 (19,80)	.980 (24,90)	13	8095-13	1.871 (47,52)	2.072 (52,62)
7	8095-07	.935 (23,76)	1.136 (28,86)	14	8095-14	2.027 (51,48)	2.228 (56,58)
8	8095-08	1.091 (27,72)	1.292 (32,82)	15	8095-15	2.183 (55,44)	2.383 (60,54)

# .156"(3.96mm) KK Type PC Board Connector

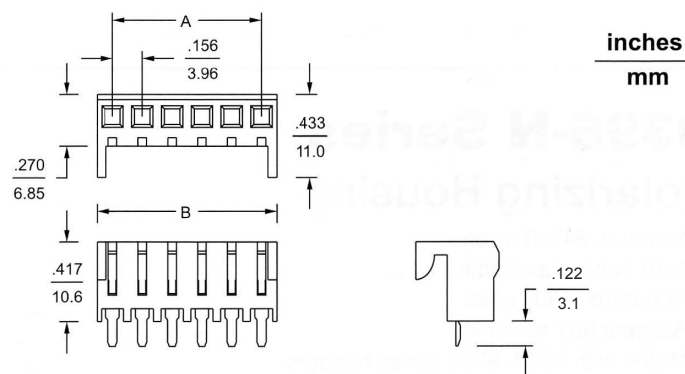
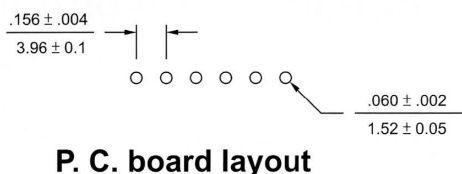
## Specifications:

- Current rating: 5A Max.
- Voltage rating: 250V
- Contact resistance: 6mΩ Max.
- Insulation resistance: 50KMΩ Min.
- Dielectric withstanding voltage: 1500V AC/minute
- Temperature: 0°C ~ 75°C
- Recommended PCB thickness: .062"(1.57mm)
- 2 ~ 16 circuits available
- Contact material: Tin-plated brass
- Plastic material: Nylon, UL 94V-2
- Color: White
- UL file No. : E114003

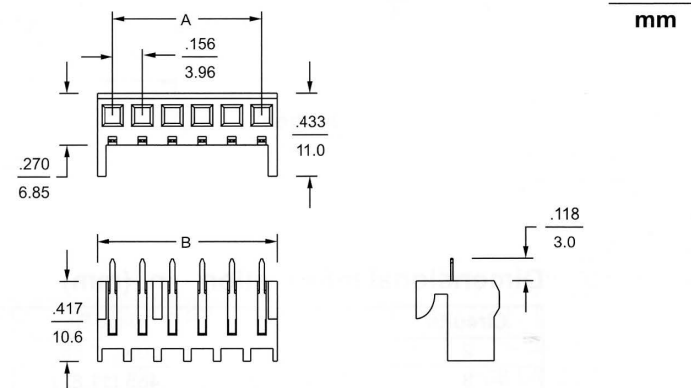
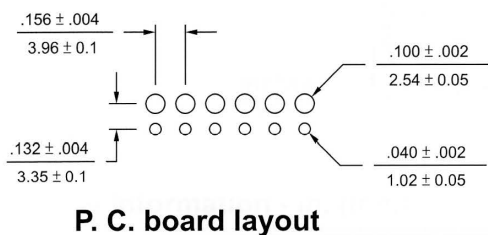
## 8675-N Series Right Angle



## 8676-N Series Top Entry



## 8677-N Series Bottom Entry



### Dimensional Information ( mm ) 8675/8676/8677

Circuits	Dim. A	Dim. B
N	$3.96 \times (N - 1)$	$3.96 \times N + 0.14$

&& N = 2 ~ 16



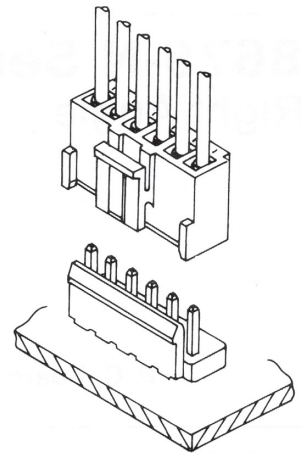
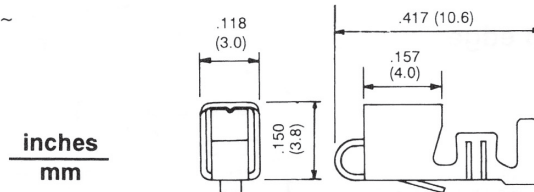
# .156" (3.96mm) Crimp Terminal Housings

## Specifications

- Current rating: 7A AC, DC
- Voltage rating: 250V AC, DC
- Temperature range: -25°C ~ +85°C (including temperature rise)
- Contact resistance: Initial value/10mΩ max. After environmental testing/20mΩ max.
- Insulation Resistance: 1,000 MΩ min.
- Withstand voltage: 1,500V AC/minute
- Applicable Wires: AWG #22 ~ #18
- Applicable PC board thickness: .063" (1.6mm)
- UL File No. : E114003

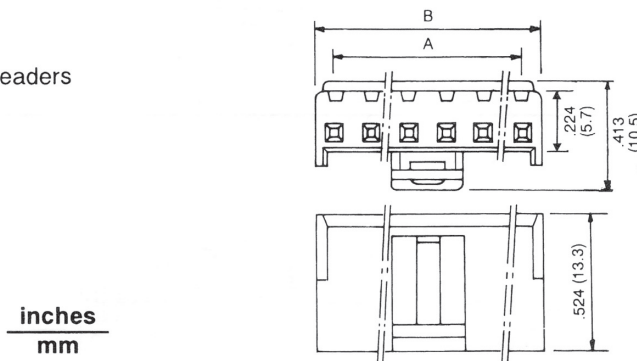
## 96T Series Crimp Terminal

- Used in 9396 series housing
- Applicable wires: AWG #22 ~ #18
- Material: Tin-plated brass
- Insulation O.D.: .067" (1.7mm) ~ .118" (3.0mm)



## 9396-N Series Polarizing Housing

- Material: 94V-0 nylon
- 2-16 circuits available
- Standard color: white
- Accepts 96T terminal
- Mates with 9397, 9398 series headers



### Dimensional Information - in ( mm )

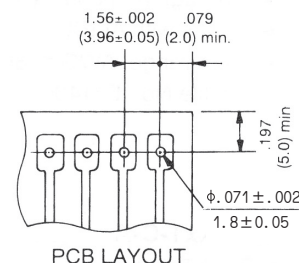
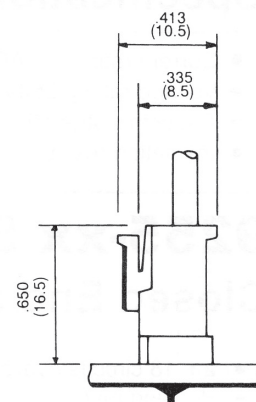
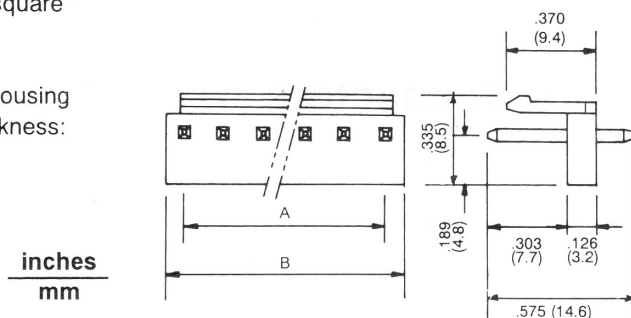
Circuits	Dim. A	Dim. B	Circuits	Dim. A	Dim. B	Circuits	Dim. A	Dim. B
2	.156 ( 3.96)	.309 ( 7.86)	7	.935 (23.76)	1.089 (27.66)	12	1.715 (43.56)	1.869 (47.46)
3	.312 ( 7.92)	.465 (11.82)	8	1.091 (27.72)	1.245 (31.62)	13	1.871 (47.52)	2.024 (51.42)
4	.468 (11.88)	.621 (15.78)	9	1.247 (31.68)	1.401 (35.58)	14	2.027 (51.48)	2.180 (55.38)
5	.624 (15.84)	.777 (19.74)	10	1.403 (35.34)	1.557 (39.54)	15	2.183 (55.44)	2.336 (59.34)
6	.780 (19.80)	.933 (23.70)	11	1.559 (39.60)	1.713 (43.50)	16	2.339 (59.40)	2.492 (63.30)



# .156" (3.96mm) Center Headers

## 9397-N Series Straight Pin Friction Lock Header

- 94V-0 nylon
- .045" (1.14mm) straight square wire pins
- 2-12 circuits available
- Mates with 9396 series housing
- Applicable PC board thickness: .063" (1.6mm)

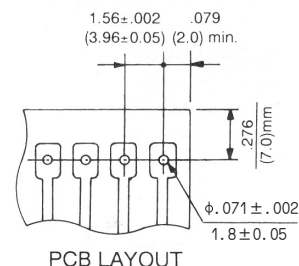
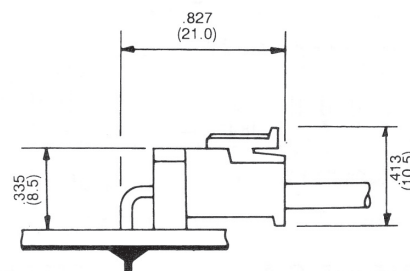
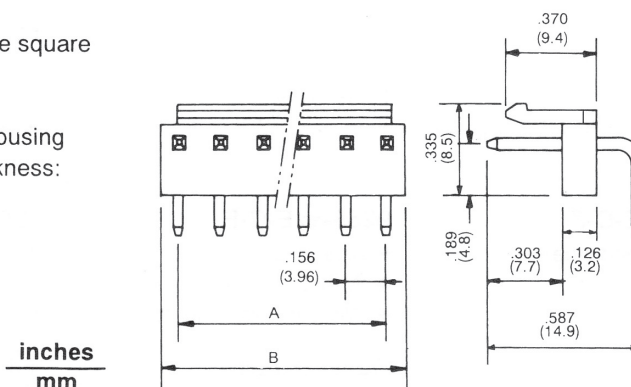


### Dimensional Information - in. (mm)

Circuits	Dim. A	Dim. B	Circuits	Dim. A	Dim. B
2	0.156 ( 3.96)	0.312 ( 7.92)	8	1.091 (27.72)	1.247 (31.68)
3	0.312 ( 7.92)	0.468 (11.88)	9	1.247 (31.68)	1.403 (35.64)
4	0.468 (11.88)	0.624 (15.84)	10	1.403 (35.64)	1.559 (39.60)
5	0.624 (15.84)	0.780 (19.80)	11	1.559 (39.60)	1.715 (43.56)
6	0.780 (19.80)	0.935 (23.76)	12	1.715 (43.56)	1.871 (47.52)
7	0.935 (23.76)	1.091 (27.72)			

## 9398-N Series Right Angle Pin Friction Lock Header

- 94-V0 nylon
- .045" (1.14mm) right angle square wire pins
- 2-12 circuits available
- Mates with 9396 series housing
- Applicable PC board thickness: .063" (1.6mm)



### Dimensional Information - in. (mm)

Circuits	Dim. A	Dim. B	Circuits	Dim. A	Dim. B
2	0.156 ( 3.96)	0.312 ( 7.92)	8	1.091 (27.72)	1.247 (31.68)
3	0.312 ( 7.92)	0.468 (11.88)	9	1.247 (31.68)	1.403 (35.64)
4	0.468 (11.88)	0.624 (15.84)	10	1.403 (35.64)	1.559 (39.60)
5	0.624 (15.84)	0.780 (19.80)	11	1.559 (39.60)	1.715 (43.56)
6	0.780 (19.80)	0.935 (23.76)	12	1.715 (43.56)	1.871 (47.52)
7	0.935 (23.76)	1.091 (27.72)			



# .156"(3.96mm) IDC Connector

## Specifications:

- Current rating: 7A AC, DC
- Voltage rating: 250V AC Max.
- Dielectric Strength: 1500V AC/minute
- Insulation resistance: 1000MΩ Min.
- Contact resistance: Initial value/10mΩ Max.  
After environmental testing/20mΩ Max.
- Ambient temperature range: -40 °C ~ 105 °C  
( Including temperature rise )

## 9255-xx Series

### Closed End and Feed-Thru Connectors

C	Color	Wire size
3	Orange	#18
4	Yellow	#20
2	Red	#22
9	White	#24

- 2 ~ 20 circuits available
- Housing material: UL 94V-2 nylon 66
- Terminal material: Tin-plated phosphor bronze
- With or without locking ramp and polarizing rib
- Through and end type
- Mates with ALEX 3960-xx, 3961-xx headers
- Mates with ALEX 255C-xx covers
- Wire range: AWG #18 ~ #24 ( Flat ribbon wire )
- UL file No.:E114003

**Note:**

- xx:** Number of circuits, 02 ~ 20
- E:** Closed end type
- T:** Feed-Thru type
- C:** Color

**Dimensional Information ( mm )**

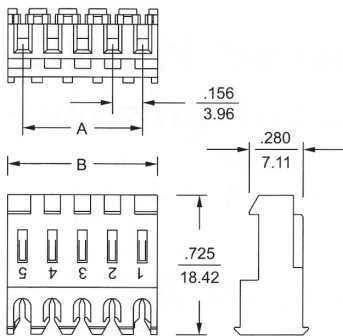
Part No.	Dim. A	Dim. B
9255-xx	3.96x(N-1)	3.96xN

&& N = 2 ~ 20

**inches**  
**mm**

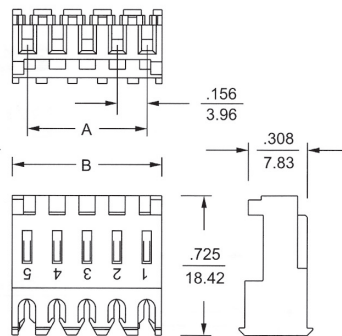
**9255-xxT-C-A**

- Feed-Thru type
- With locking ramp
- Without Polarizing rib



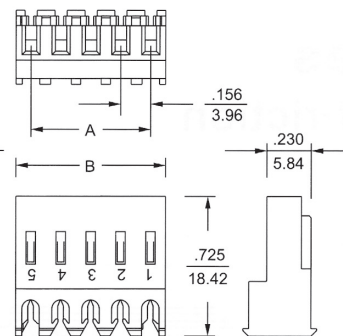
**9255-xxT-C-Z**

- Feed-Thru type
- With locking ramp
- With Polarizing rib



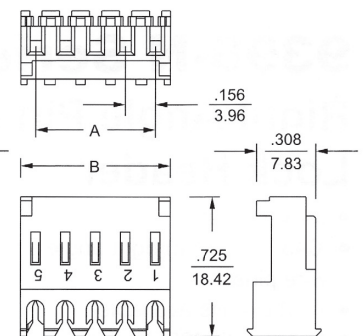
**9255-xxT-C-E**

- Feed-Thru type
- Without locking ramp
- Without Polarizing rib



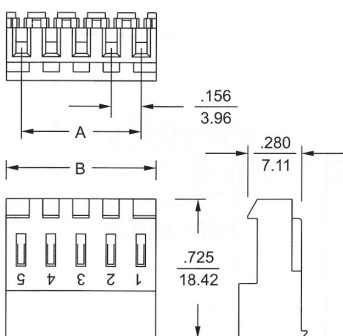
**9255-xxT-C-R**

- Feed-Thru type
- Without locking ramp
- With Polarizing rib



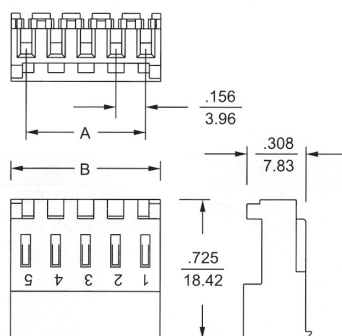
**9255-xxE-C-A**

- Closed end type
- With locking ramp
- Without Polarizing rib



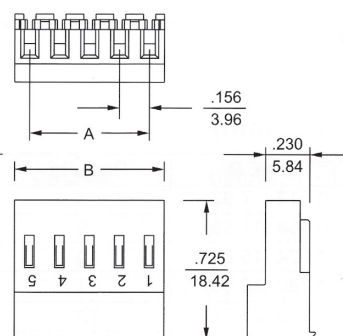
**9255-xxE-C-Z**

- Closed end type
- With locking ramp
- With Polarizing rib



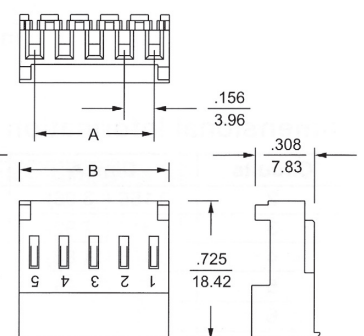
**9255-xxE-C-E**

- Closed end type
- Without locking ramp
- Without Polarizing rib



**9255-xxE-C-R**

- Closed end type
- Without locking ramp
- With Polarizing rib



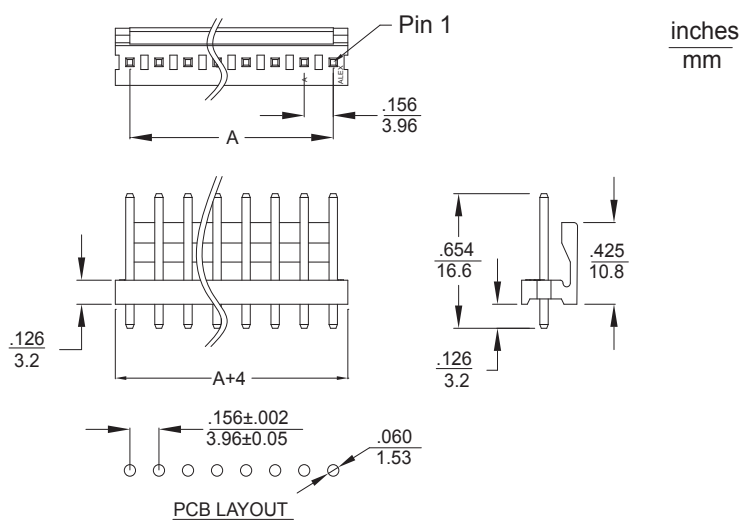
# .156"(3.96mm) Vertical / Right Angle Header

## Specification:

- Current rating: 7A AC, DC
- Voltage rating: 250V AC, DC
- Contact resistance: 10mΩ Max.  
After environmental testing/20mΩ Max.
- Dielectric withstanding voltage: 1500V AC/minute
- Ambient temperature range: -40°C ~ 105°C
- UL file No.: E114003

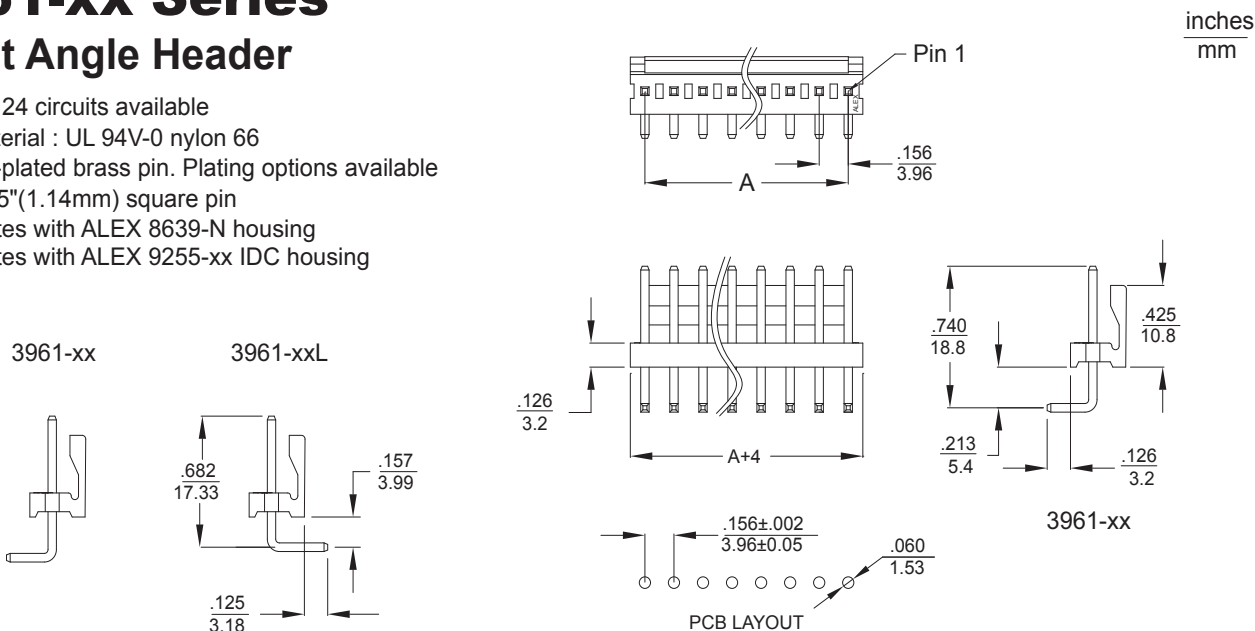
## 3960-N Series Vertical Header

- 2 ~ 24 circuits available
- Material : UL 94V-0 nylon 66
- Tin-plated brass pin. Plating options available
- .045"(1.14mm) square pin
- Mates with ALEX 8639-N housing
- Mates with ALEX 9255-xx IDC housing



## 3961-xx Series Right Angle Header

- 2 ~ 24 circuits available
- Material : UL 94V-0 nylon 66
- Tin-plated brass pin. Plating options available
- .045"(1.14mm) square pin
- Mates with ALEX 8639-N housing
- Mates with ALEX 9255-xx IDC housing



### Dimensional Information - in ( mm ) 3960 / 3961

Circuits	Dim. A	Circuits	Dim. A	Circuits	Dim. A	Circuits	Dim. A	Circuits	Dim. A	Circuits	Dim. A
2	0.156 ( 3.96)	6	0.780 (19.80)	10	1.403 (35.64)	14	2.027 (51.48)	18	2.650 (67.32)	22	3.274 (83.16)
3	0.312 ( 7.92)	7	0.935 (23.76)	11	1.559 (39.60)	15	2.183 (55.44)	19	2.806 (71.28)	23	3.430 (87.12)
4	0.468 (11.88)	8	1.091 (27.72)	12	1.715 (43.56)	16	2.339 (59.40)	20	2.962 (75.24)	24	3.586 (91.08)
5	0.624 (15.84)	9	1.247 (31.68)	13	1.871 (47.52)	17	2.494 (63.36)	21	3.118 (79.20)		



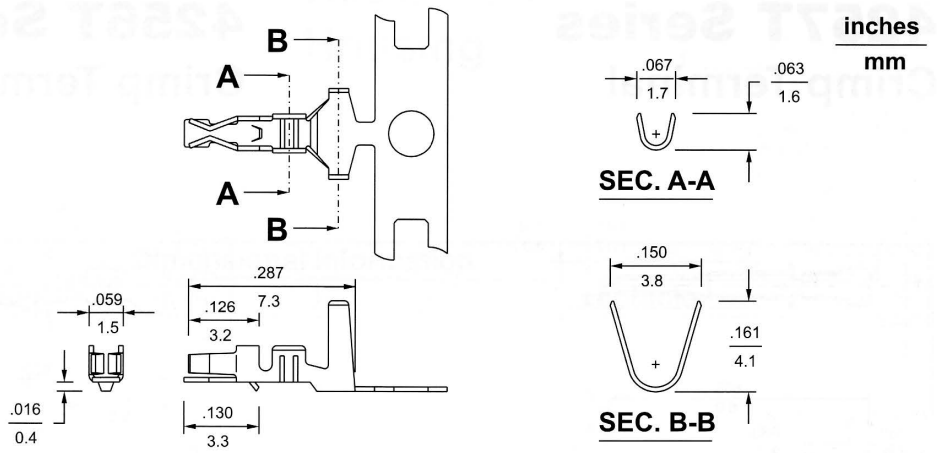
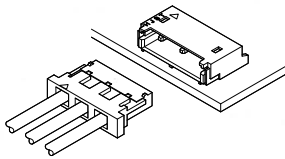
# .157"/.315"/.472" (4.0mm/8.0mm/12.0mm) Crimp Terminal Housing

## Specifications:

- Current rating: 1AAC, DC
- Voltage rating: 600V AC, DC
- Dielectric withstanding voltage: 1800V AC/minute
- Contact resistance: 20mΩ Max.
- Ambient temperature range: -25°C ~ 85°C (including temperature rise)

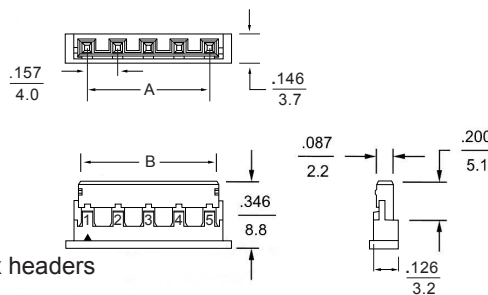
## 4001T Series Crimp Terminal

- Material: Phosphor bronze
- Finished: Tin-plated
- Used in ALEX 4002-N housing
- Wire range: #22 ~ #28 AWG
- Thickness: 0.2mm



## 4002-N Series Crimp Terminal Housing

- 2 ~ 5 circuits available
- Material: UL 94V-0 nylon 66
- Accepts ALEX 4001T terminal
- Mates with ALEX 4003-N, 4004-xx headers



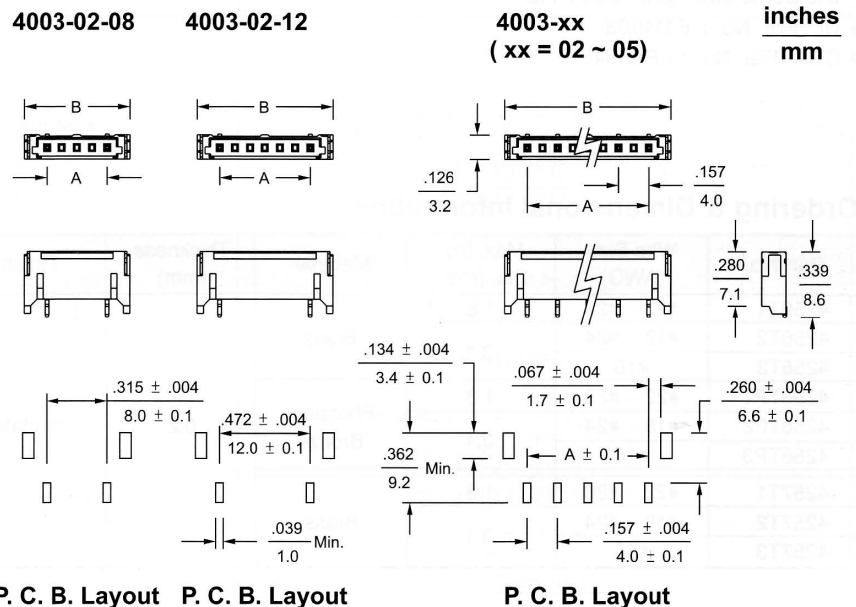
### Dimensional Information ( mm )

Circuits	N
Dim. A	4.0 x ( N - 1 )
Dim. B	4.0 x ( N - 1 ) + 2.4

&& N = 2 ~ 5

## 4003-N Shrouded Header

- 2 ~ 5 circuits available
- Contact material: Tin-plated Phoshor bronze
- Insulation material: UL 94V-0 nylon 9T
- Mates with ALEX 4002-N housing



### Dimensional Information ( mm )

Part No.	Poles	Dim. A	Dim. B
4003-02	2	4.0	10.0
4003-02-08		8.0	14.0
4003-02-12		12.0	18.0
4003-03	3	8.0	14.0
4003-04	4	12.0	18.0
4003-05	5	16.0	22.0

P. C. B. Layout P. C. B. Layout

P. C. B. Layout



# .157"/.315"/.472" (4.0mm/8.0mm/12.0mm) Right Angle Header

## 4004-xx Series Right Angle Header

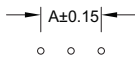
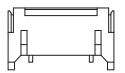
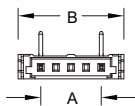
inches  
mm

- 2 ~ 5 circuits available
- Insulation material: Nylon 9T, UL 94V-0
- Contact material: Tin-plated phosphor bronze
- .020" (0.5mm) square pin
- Mates with ALEX 4002-N housing
- P. C board thickness: 1.6mm

### Dimensional Information - in ( mm )

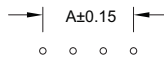
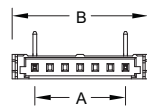
Part No.	Poles	Dim. A	Dim. B
4004-02	4004-02-P	.157 ( 4.0 )	.394 ( 10.0 )
4004-02-08	4004-02-08-P	.315 ( 8.0 )	.551 ( 14.0 )
4004-02-12	4004-02-12-P	.475 ( 12.0 )	.709 ( 18.0 )
4004-03	4004-03-P	.315 ( 8.0 )	.551 ( 14.0 )
4004-04	4004-04-P	.475 ( 12.0 )	.709 ( 18.0 )
4004-05	4004-05-P	.630 ( 16.0 )	.866 ( 22.0 )

### 4004-02-08



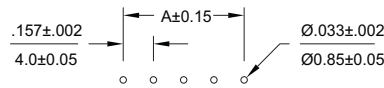
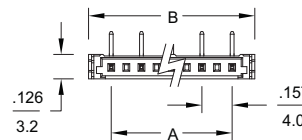
P. C. B. Layout

### 4004-02-12

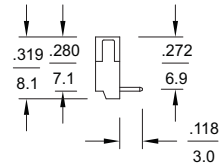


P. C. B. Layout

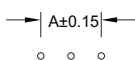
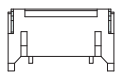
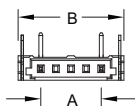
### 4004-xx ( xx = 02 ~ 05 )



P. C. B. Layout

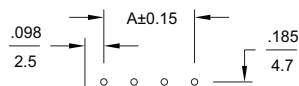
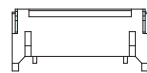
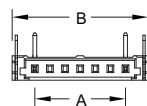


### 4004-02-08-P



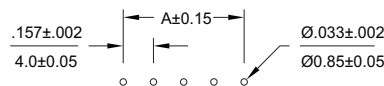
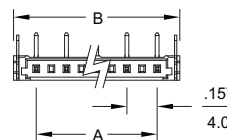
P. C. B. Layout

### 4004-02-12-P

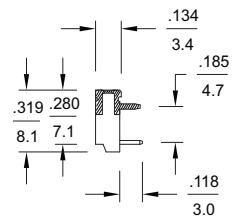


P. C. B. Layout

### 4004-xx-P ( xx = 02 ~ 05 )



P. C. B. Layout



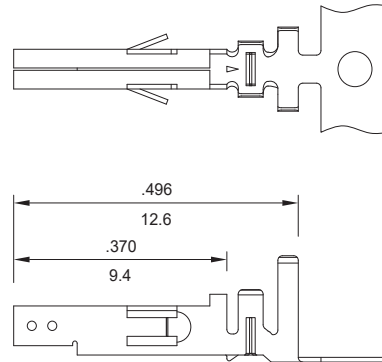
Ø.039±.002  
Ø1.0±0.05



# .165"(4.2mm) Crimp Terminal Housing

## 4256TP2-A Crimp Terminal

- Material: Phosphor bronze
- Finished: Tin-plated
- Wire range: UL 1007 #20 ~ #24 AWG
- Used in ALEX 9357-06-B, 9357-06-BR, 9357-08-B, 9357-08-BR housings



inches  
mm

## 9357-06-B Series Crimp Terminal Housing

- Material: UL 94V-0 nylon 66
- Accepts ALEX 4256TP2-A terminal
- Mates with ALEX 9358-06, 9362-06 housings, 9359-06, 9360-06, 9363-06, 9364-06 headers
- Standard color: Black

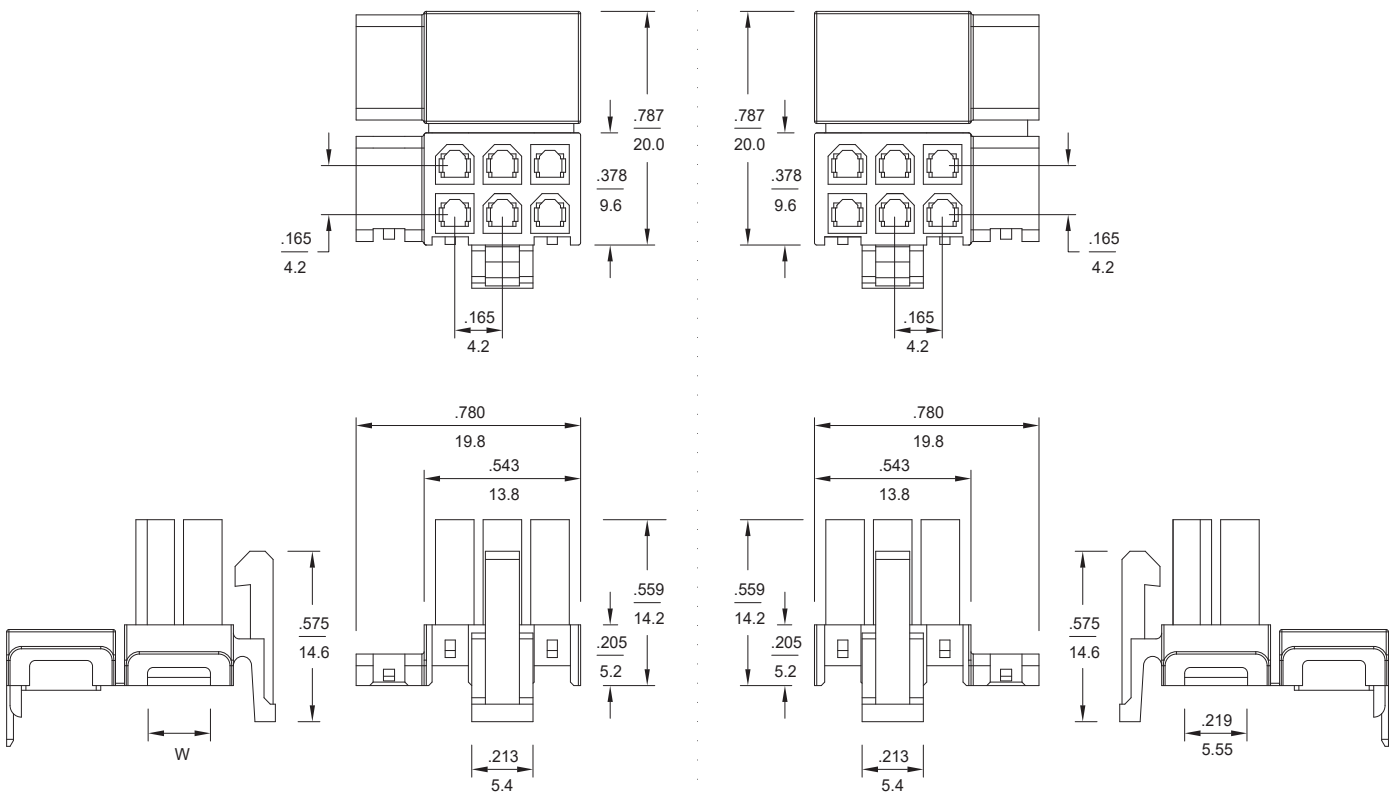
inches  
mm

### Dimensional Information - in ( mm )

Part No.	Dim. W	Wire range
9357-06-B 、 9357-06-BR	.219 (5.55)	#22 ~ #24
9357-06-B-6.35	.250 (6.35)	#20

**9357-06-B**

**9357-06-BR**





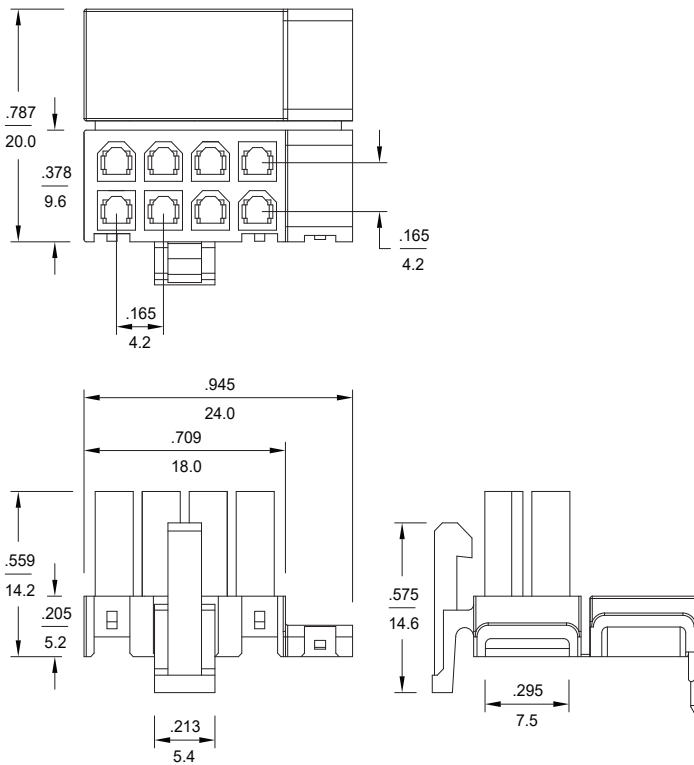
# .0165" (4.2mm) Crimp Terminal Housing

## 9357-08-B Series Crimp Terminal Housing

inches  
mm

- Material: UL 94V-0 nylon 66
- Accepts ALEX 4256TP2-A terminal
- Standard color: Black
- Wire range: UL 1007 #22 ~ #24 AWG

### 9357-08-BR



### 9357-08-B

